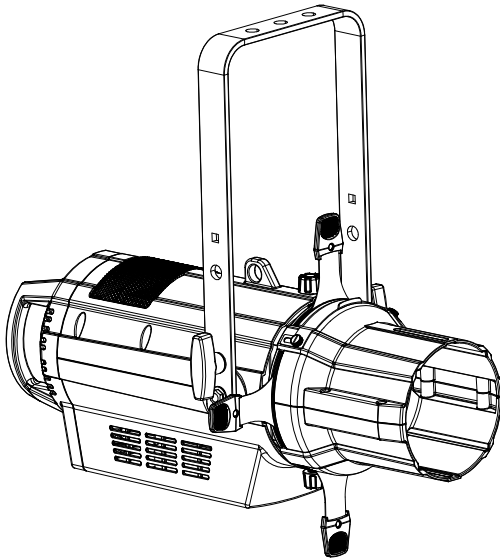


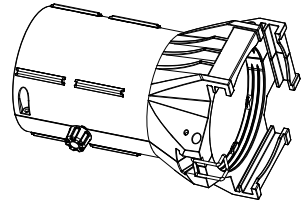
ECLIPSEFC

LED PROFILER

ECLIPSEFC



ECLIPSELB05
ECLIPSELB10
ECLIPSELB14
ECLIPSELB19
ECLIPSELB26
ECLIPSELB36
ECLIPSELB50



USER MANUAL
MANUALE UTENTE

All rights reserved by Music & Lights S.r.l. No part of this instruction manual may be reproduced in any form or by any means for any commercial use.

In order to improve the quality of products, Music&Lights S.r.l. reserves the right to modify the characteristics stated in this instruction manual at any time and without prior notice.
All revisions and updates are available in the 'manuals' section on site www.musiclights.it

TABLE OF CONTENTS**Safety**

General instructions	2
Warnings and installation precautions	2

1 Introduction

1.1 Description	3
1.2 Technical specifications	3
1.3 The configurations	5
1.4 Operating elements and connections	6

2 Installation

2.1 Mounting	7
--------------------	---

3 Functions and settings

3.1 Operation	8
3.2 Basic	8
3.3 Menu structure	9
3.4 Static mode	12
3.5 Manual mode	12
3.6 Master/Slave mode	12
3.7 Full on mode	12
3.8 White Balance mode	12
3.9 Linking	13
3.10 DMX configuration	13
3.11 DMX mode	13
3.12 Connection of the DMX line	15
3.13 Construction of the DMX termination	15
3.14 DMX control	16
3.15 Fixture settings	19
3.16 Fixture information	19

4 Maintenance

4.1 Maintenance and cleaning the unit	21
4.2 Fuse replacement	21
4.3 Trouble shooting	21

Packing content

- ECLIPSEFC
- Mount bracket
- Power cable
- User manual




WARNING! Before carrying out any operations with the unit, carefully read this instruction manual and keep it with care for future reference. It contains important information about the installation, usage and maintenance of the unit.



SAFETY

General instruction

- The products referred to in this manual conform to the European Community Directives and are therefore marked with **CE**.
- The unit is supplied with hazardous network voltage (230V~). Leave servicing to skilled personnel only. Never make any modifications on the unit not described in this instruction manual, otherwise you will risk an electric shock.
- Connection must be made to a power supply system fitted with efficient earthing (Class I appliance according to standard EN 60598-1). It is, moreover, recommended to protect the supply lines of the units from indirect contact and/or shorting to earth by using appropriately sized residual current devices.
- The connection to the main network of electric distribution must be carried out by a qualified electrical installer. Check that the main frequency and voltage correspond to those for which the unit is designed as given on the electrical data label.
- This unit is not for home use, only professional applications.
- Never use the fixture under the following conditions:
 - in places wet;
 - in places subject to vibrations or bumps;
 - in places with a temperature of over 45 °C.
- Make certain that no inflammable liquids, water or metal objects enter the fixture.
- Do not dismantle or modify the fixture.
- All work must always be carried out by qualified technical personnel. Contact the nearest sales point for an inspection or contact the manufacturer directly.
- If the unit is to be put out of operation definitively, take it to a local recycling  plant for a disposal which is not harmful to the environment.

Warnings and installation precautions

- If this device will be operated in any way different to the one described in this manual, it may suffer damage and the guarantee becomes void. Furthermore, any other operation may lead to dangers like short circuit, burns, electric shock, etc.
- Before starting any maintenance work or cleaning the projector, cut off power from the main supply.
- Always additionally secure the projector with the safety rope. When carrying out any work, always comply scrupulously with all the regulations (particularly regarding safety) currently in force in the country in which the fixture's being used.
- Install the fixture in a well ventilated place.
- Keep any inflammable material at a safe distance from the fixture.
- Shields, lenses or ultraviolet screens shall be changed if they have become damaged to such an extent that their effectiveness is impaired.
- The lamp (LED) shall be changed if it has become damaged or thermally deformed.
- Never look directly at the light beam. Please note that fast changes in lighting, e. g. flashing light, may trigger epileptic seizures in photosensitive persons or persons with epilepsy.
- Do not touch the product's housing when operating because it may be very hot.
- This product was designed and built strictly for the use indicated in this documentation. Any other use, not expressly indicated here, could compromise the good condition/operation of the product and/or be a source of danger.
- We decline any liability deriving from improper use of the product.

- 1 - INTRODUCTION

1.1 DESCRIPTION

ECLIPSEFC is a full colour LED Ellipsoidal designed to deliver a full range of pastels, whites or saturates smoothly, consistently and both with or without gobos.

The ECLIPSEFC's RGB + Lime LED engine has been specially engineered to provide a full spectrum and full output in the most discerning environments, regardless of which role the ECLIPSEFC is playing.

1.2 TECHNICAL SPECIFICATIONS

LIGHT SOURCE

- Source: 91x3W RGB + lime LEDs
- Luminous flux: (5°) 3'538 lm - (10°) 4'088 lm - (14°) 4'618 lm - (19°) 3'921 lm - (26°) 4'918 lm - (36°) 4'918 lm - (50°) 4'557lm
- Lux: (5°) 36'042 lx - (10°) 17'857 lx - (14°) 9'201 lx - (19°) 5'850 lx - (26°) 3'769 lx - (36°) 2'280 lx, (50°) 1'050lx @3 m full
- Source life expectancy: > 50.000 h

OPTICS

- Beam angle: optional 5° / 10° / 14° / 19° / 26° / 36° / 50° / Z15 - 30° / Z25 - 50°
- Lens type: high-quality glass lens optics

COLOUR SYSTEM

- Colour mixing: RGB + lime / full colour
- CTC: CTC control through independent DMX channel, + / - green and magenta correction and amber shift activation by DMX
- White presets: 2.700 K ~10.000K
- Macros: built-in white presets

DYNAMIC EFFECTS

- Gobo size: B, outer: 86 mm - image: 64,5 mm - thickness: 1,1 mm
- Static colour mode: selection of static colour
- Manual colour mode: manual adjustment of colour
- Special features: automatic software colour balance when fixture warms up - linear crossfade from a white to any color and CTO applied on colours

BODY

- Body: sturdy die-cast aluminium body conceived for long-time durability
- Body colour: black, white finishing available

CONTROL

- Protocols: DMX512, RDM
- DMX channels: Theater 1 / 3 / 5 / 17 channel - Tour 4 / 8 / 11 channel
- RDM: RDM ready for fixture remote monitor and settings
- Display: black OLED high resolution display
- Firmware upgrade: yes, via USB - DMX interface (UPBOX1) not included
- Master/Slave: for synchronized operation of more units linked in a chain

ELECTRONICS

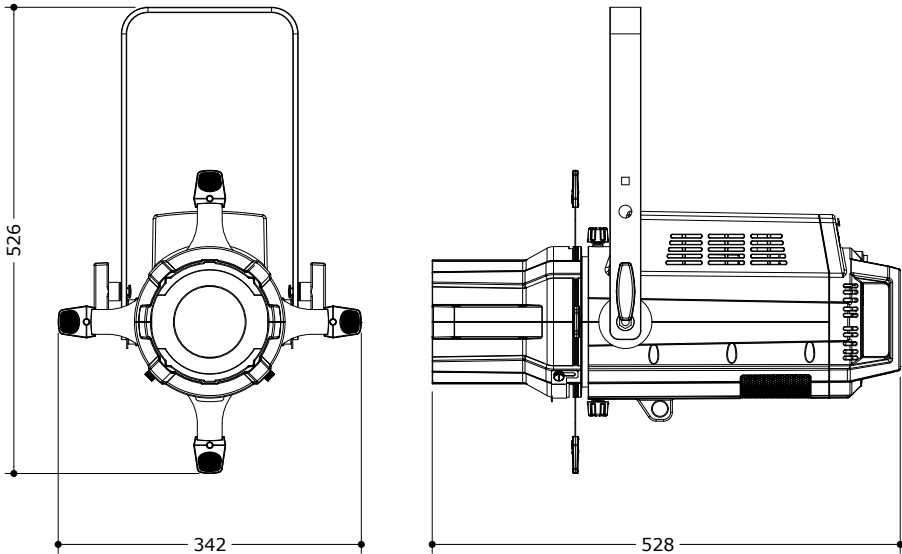
- Dimmer: linear 0 ~ 100% electronic dimmer
- Dimmer curves: 4 different dimming curves available
- Strobe / shutter: 1 - 30 Hz, electronic
- Battery backup: battery backup for user operation without connecting to the main power
- Operating temperature: -10° ~ +45°
- Flicker: flicker free operation
- Selectable PWM: 600 ~ 25.000 Hz

ELECTRICAL

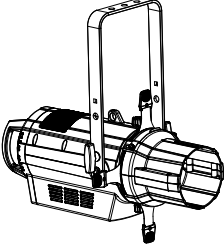
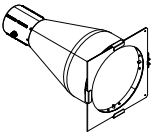
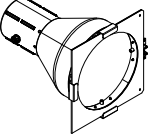
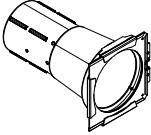
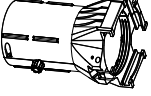
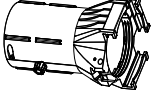
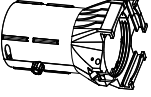
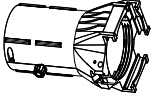
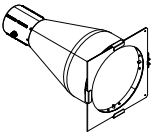
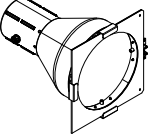
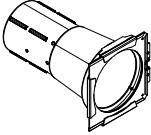
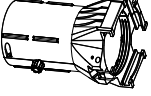
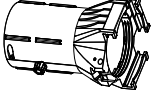
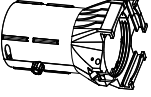
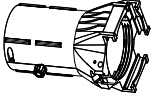
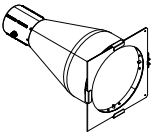
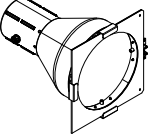
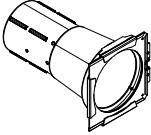
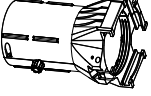
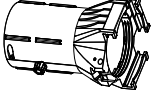
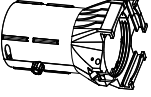
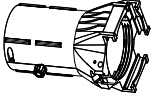
- Power supply: 100-240 V – 50/60 Hz
- Power consumption (at 230 V): 216W
- Output (at 230 V): 6 units on a single power line

PHYSICAL

- Cooling: combination of heat pipe cooling system and low noise fan
- Suspension and fixing: hanging bracket suitable for safe hanging and positioning
- Signal connection: Amphenol XLR 5p IN/OUT connectors
- Power connection: Neutrik powerCON IN/OUT connectors
- IP rating: 20
- Dimensions (WxHxD): 342x526x530 mm
- Weight: 9 kg

*Technical drawing**Fig.1*

1.3 THE CONFIGURATIONS

Configuration									
1	<div style="display: flex; justify-content: space-between;"> <div style="width: 30%;"> <p>Reflector Housing</p> </div> <div style="width: 30%; text-align: center;">  <p>ECLIPSEFC</p> </div> <div style="width: 30%;"> <p>Middle part, compatible with 5°, 10°, 14°, 19°, 26°, 36°, 50° optics</p> </div> </div>								
2	<table border="1" style="width: 100%; border-collapse: collapse;"> <tr> <td style="width: 50%; padding: 5px;"> <p>ECLIPSELB05 Optics for ECLIPSE profiler, 5° beam</p>  </td> <td style="width: 50%; padding: 5px;"> <p>ECLIPSELB10 Optics for ECLIPSE profiler, 10° beam</p>  </td> </tr> <tr> <td style="padding: 5px;"> <p>ECLIPSELB14 Optics for ECLIPSE profiler, 14° beam</p>  </td> <td style="padding: 5px;"> <p>ECLIPSELB19 Optics for ECLIPSE profiler, 19° beam</p>  </td> </tr> <tr> <td style="padding: 5px;"> <p>ECLIPSELB26 Optics for ECLIPSE profiler, 26° beam</p>  </td> <td style="padding: 5px;"> <p>ECLIPSELB36 Optics for ECLIPSE profiler, 36° beam</p>  </td> </tr> <tr> <td style="padding: 5px;"> <p>ECLIPSELB50 Optics for ECLIPSE profiler, 50° beam</p>  </td> <td></td> </tr> </table>	<p>ECLIPSELB05 Optics for ECLIPSE profiler, 5° beam</p> 	<p>ECLIPSELB10 Optics for ECLIPSE profiler, 10° beam</p> 	<p>ECLIPSELB14 Optics for ECLIPSE profiler, 14° beam</p> 	<p>ECLIPSELB19 Optics for ECLIPSE profiler, 19° beam</p> 	<p>ECLIPSELB26 Optics for ECLIPSE profiler, 26° beam</p> 	<p>ECLIPSELB36 Optics for ECLIPSE profiler, 36° beam</p> 	<p>ECLIPSELB50 Optics for ECLIPSE profiler, 50° beam</p> 	
	<p>ECLIPSELB05 Optics for ECLIPSE profiler, 5° beam</p> 	<p>ECLIPSELB10 Optics for ECLIPSE profiler, 10° beam</p> 							
	<p>ECLIPSELB14 Optics for ECLIPSE profiler, 14° beam</p> 	<p>ECLIPSELB19 Optics for ECLIPSE profiler, 19° beam</p> 							
	<p>ECLIPSELB26 Optics for ECLIPSE profiler, 26° beam</p> 	<p>ECLIPSELB36 Optics for ECLIPSE profiler, 36° beam</p> 							
	<p>ECLIPSELB50 Optics for ECLIPSE profiler, 50° beam</p> 								
OR									

1.4 OPERATING ELEMENTS AND CONNECTIONS

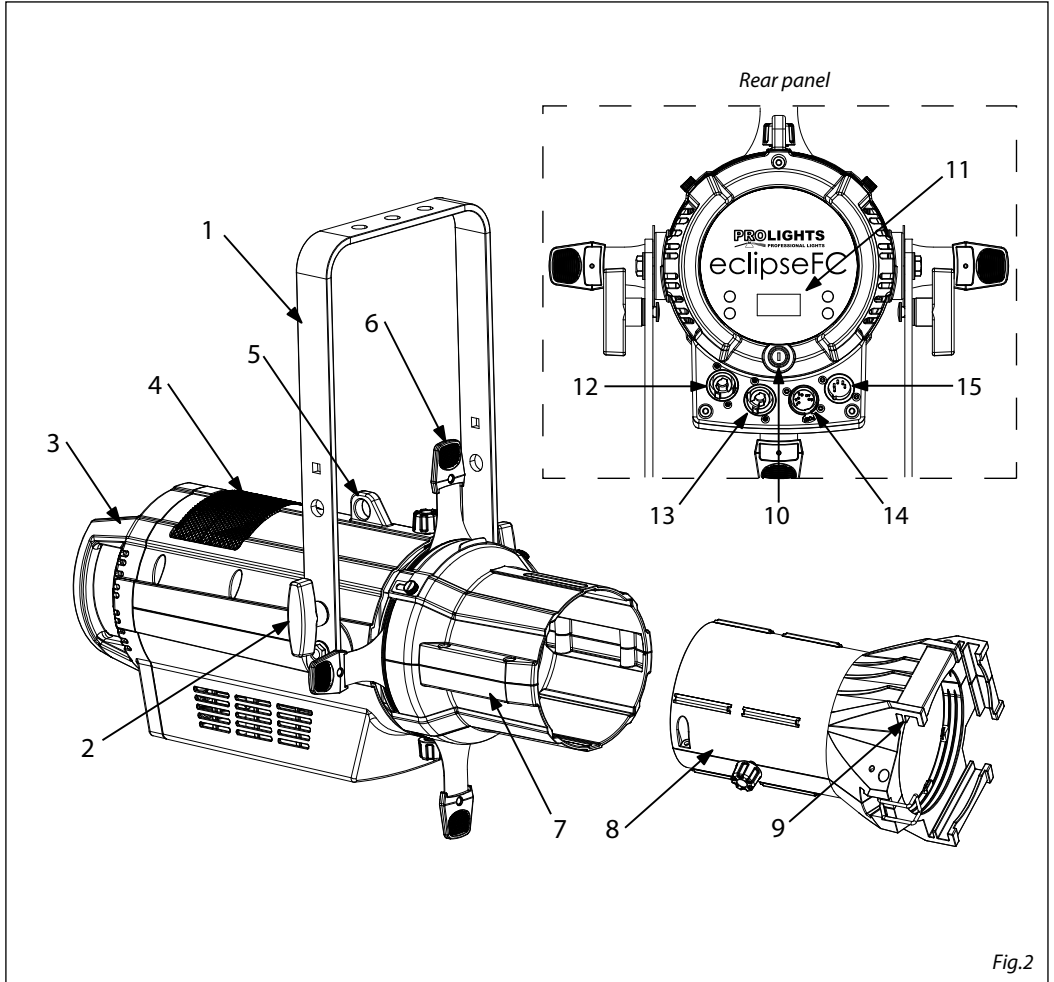


Fig.2

1. MOUNTING BRACKET
2. LOCKING KNOB for the mounting bracket
3. HANDLE
4. ECLIPSEFC
5. SAFETY EYE to attach safety cable.
6. SHUTTER
7. ECLIPSEMP - Aluminium middle part
8. OPTIC
9. FILTER FRAME
10. FUSE OLDER in the event of breakage, always replace the fuse with the same type and rating (T3.15A).
11. CONTROL PANEL with display and 4 button used to access the control panel functions and manage them.
12. POWER IN (PowerCON IN): for connection to a socket (100-240V~/50-60Hz) via the supplied mains cable.
13. POWER OUT (PowerCON OUT): connect to supply power to the next unit.
14. DMX OUT (5-pole XLR):
1 = ground, 2 = DMX-, 3 = DMX+, 4 N/C, 5 N/C
15. DMX IN (5-pole XLR):
1 = ground, 2 = DMX-, 3 = DMX+, 4 N/C, 5 N/C

- 2 - INSTALLATION

2.1 MOUNTING

ECLIPSEFC may be set up on a solid and even surface. The unit can also be mounted upside down to a cross arm. For fixing, stable mounting clips are required. The mounting place must be of sufficient stability and be able to support a weight of 10 times of the unit's weight.

When carrying out any installation, always comply scrupulously with all the regulations (particularly regarding safety) currently in force in the country in which the fixture's being used.

- Install the projector at a suitable location by means of the mounting bracket (1).
- Always additionally secure the projector with the safety rope from falling down. For this purpose, fasten the safety rope at a suitable position so that the maximum fall of the projector will be 20 cm.
- Adjust the projector and use the knob (2) to slightly release or tighten the locking mechanism of the bracket if is necessary.

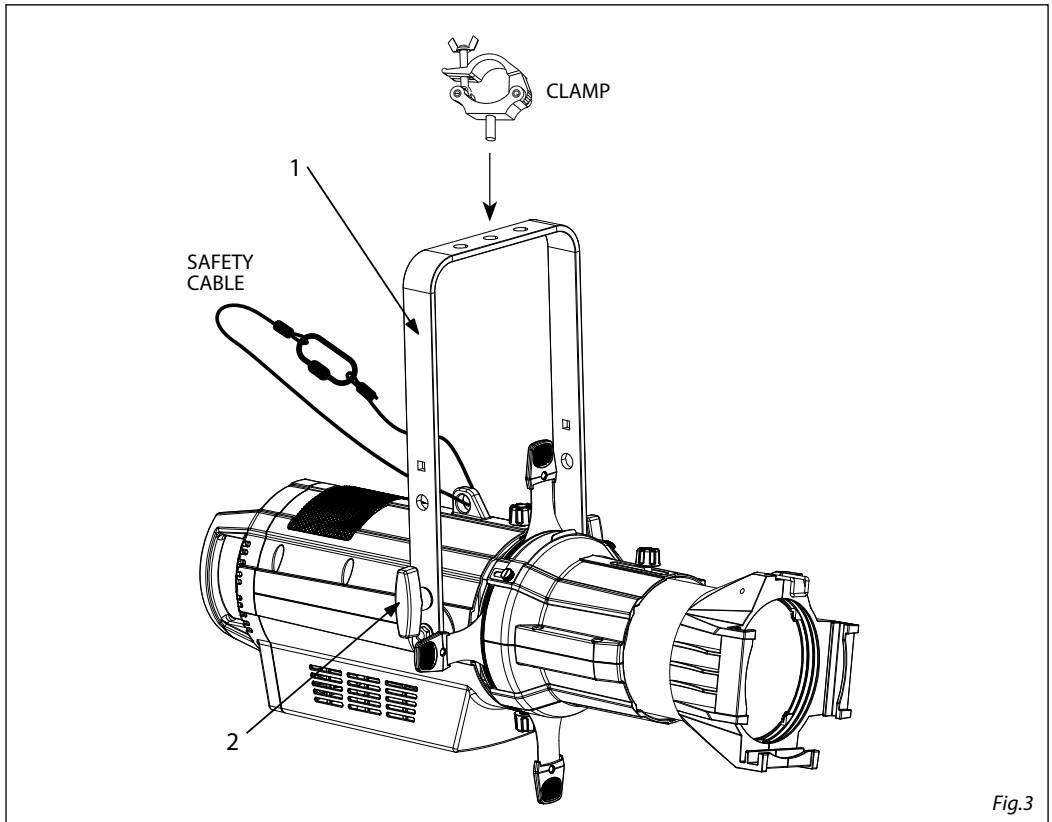


Fig.3

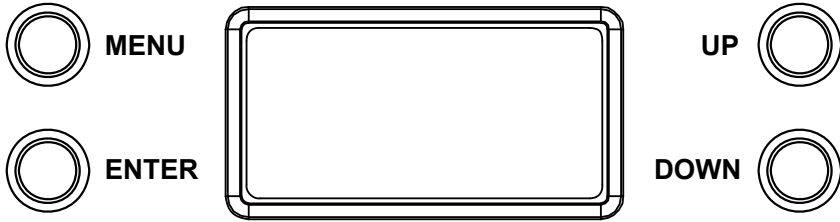
- 3 - FUNCTIONS AND SETTINGS

3.1 OPERATION

Connect the supplied main cable to a socket (100-240 VAC-50/60 Hz). Then the unit is ready for operation and can be operated via a DMX controller or it independently performs its show program in succession. To switch off, disconnect the mains plug from the socket. For a more convenient operation it is recommended to connect the unit to a socket which can be switched on and off via a light switch.

3.2 BASIC

Access control panel functions using the four panel buttons located directly underneath the OLED Display (fig.4).



MENU	UP	DOWN	ENTER
Used to access the menu or to return a previous menu option	Navigates downwards through the menu list and increases the numeric value when in a function	Navigates upwards through the menu list and decreases the numeric value when in a function	Used to select and store the current menu or confirm the current function value or option within a menu

Fig.4 - Functions of the buttons

3.3 MENU STRUCTURE

	MENU	Remark
1	DMX Address ⇨ Value (001-512)	Default: 001
2	DMX Channel ⇨ Theater ⇨ 1 Ch 3 Ch 5 Ch 17 Ch Tour ⇨ 4 Ch 8 Ch 11 Ch	Default: 8 CH
3	Full on Mode ⇨ HB Mode Studio Mode	Default: Studio
4	Dimmer Mode ⇨ Off Dimmer 1 Dimmer 2 Dimmer 3	Default: Off Works only in DMX Channels without DIMMER FADE channel (1, 5, 4, 11)
5	White Calibrat. ⇨ 2700K 3200K 4200K 5500K 6000K 8000K Full RGBL Custom ⇨ Red ⇨ Value (000-255) Green ⇨ Value (000-255) Blue ⇨ Value (000-255) Lime ⇨ Value (000-255)	Default: 3200 K Not customizable RGBL (all 255) User can see and edit every single RGBL parameter

6	Stand Alone	⇒ Master/Slave	⇒ Master Slave		
		Effects	⇒ Effect 1 Effect 2 Effect 3 Effect 4 Effect 5		
		Statics	⇒ Fixed Color	⇒ R G B L RG RB RL GB GL BL RGB RGL RBL GBL RGBL	Default: RGBL
			⇒ Color Temperature	⇒ White 2700K White 3200K White 4200K White 5000K White 5500K White 6000K White 7000K White 8000K White 9000K White 10000K	Default: 3200 K
			⇒ Manual color Mix	⇒ Red Green Blue Lime	⇒ Value (000-255) ⇒ Value (000-255) ⇒ Value (000-255) ⇒ Value (000-255)

7	White Balance	⇒	Off	Manual	⇒	Red Green Blue Lime	⇒	Value (125-255Value)	
8	LED Frequency	⇒	600 Hz 1200 Hz 2000 Hz 4000 Hz 25 kHz	Default: 1200 kHz					
9	Fan Mode	⇒	Auto Speed High Speed	Default: Auto speed					
10	Back Light	⇒	On 10 s 20s 30 s	Default: 10 s					
11	Information	⇒	Fixture Hours < 9999 H > Version < V1.0 > UID Settings Reset factory	Fixture running time 0-9999H Version number					

3.4 STATIC MODE

This fixture has the ability to accept custom static color settings. Access these chases via the control panel on the back of the fixture.

- Press the button MENU so many times until the display shows **STATIC**, then press the button ENTER.
- Select **Fixed Color** through the buttons UP/DOWN, then press the button ENTER.
- Set the colors **Red, Green, Blue, Lime, Red Green, Red Blue, Red Lime, Green Blue, Green Lime, Red Green Blue, Red Green Lime, Red Blue Lime, Green Blue Lime, Red Green Blue Lime**, through the buttons UP/DOWN, then press the button ENTER.
- Select **Color Temperature** through the buttons UP/DOWN, then press the button ENTER.
- Set the color temperature **White 2700K, White 3200K, White 4200K, White 5000K, White 5500K, White 6000K, White 7000K, White 8000K, White 9000K, White 10000K**, through the buttons UP/DOWN, then press the button ENTER.
- Press the MENU button to go back or to meet the waiting time to exit the setup menu.

3.5 MANUAL MODE

This mode allows to combine the colors red, green, blue and lime.

- Press the button MENU so many times until the display shows **STATIC**, then press the ENTER button.
- Select **STATIC**, and next select **Manual Color Mixer** through the buttons UP/DOWN, then press the ENTER button.
- Select the color **Red, Green, Blue, Lime** through the buttons UP/DOWN, then press the ENTER button.
- Using UP/DOWN button, select the desired color value **000 - 255**.
- Press ENTER button to continue to the next color **Red, Green, Blue, Lime**.
- Continue until the desired mix is obtained.
- Press the MENU button to go back or to meet the waiting time to exit the setup menu.

3.6 MASTER/SLAVE MODE

This mode will allow you to link up the units together without a controller. Choose a unit to function as the Master. The unit must be the first unit in line; other units will work as slave with the same effect.

- Press the button MENU so many times until the display shows **STAND ALONE** and press the ENTER button.
- Press UP/DOWN to set the unit as master or slave (**MASTER, SLAVE**).
- Use standard DMX cables to daisy chain your units together via the DMX connector on the rear of the units. For longer cable runs we suggest a terminator at the last fixture (see page 15).

3.7 FULL ON MODE

- Press the MENU button until **FULL ON MODE** appears on the display, then press the ENTER button.
- Select the desired mode: **HB** (High Brightness mode, with maximum color value) or **Studio**, with an automatic white balance.
- Press the ENTER key to confirm.
- Press the MENU button to go back or wait a few seconds to exit the setup menu.

3.8 WHITE BALANCE MODE

- To set the white balance, press the MENU button until **WHITE BALANCE** appears on the display, then press the ENTER button.
- Use the UP / DOWN keys to select the color: **Red, Gree, Blue, Lime**. Press ENTER to confirm.
- Use the UP / DOWN keys to set the desired value 125-255.
- Press the ENTER key to continue and go to the next color **Red, Gree, Blue or Lime**.

- Continue until the desired values are set.
- Press the MENU button to go back or wait a few seconds to exit the setup menu.

3.9 LINKING

1. Connect the DMX OUT of the master unit via 5-pole XLR cable to the DMX IN of the first slave unit.
2. Connect the DMX OUT of the first slave unit to the DMX IN of the second slave unit, etc. until all units are connected in a chain.

3.10 DMX CONFIGURATION

ECLIPSEFC is equipped with different DMX configuration.

- Press the button MENU so many times until shows **DMX CHANNEL**, and press the button ENTER to confirm.
- Select **THEATER or TOUR** through the buttons UP/DOWN, then press the button ENTER.
- Select the desired DMX configuration (**1CH - 3CH - 5CH - 17CH or 4CH - 8CH - 11CH**) through the buttons UP/DOWN.

The tables on page 16, 17 e 18 indicate the operating mode and DMX value. The ECLIPSEFC is equipped with 5-pole XLR connections.

3.11 DMX MODE

- Press the button MENU so many times until the display shows **DMX ADDRESS**, and press the button ENTER to confirm.
- Press UP/DOWN button to select the desired value (**001-512**). Press and hold to scroll quickly.
- Press ENTER button to store.
- Press the MENU button to go back or to meet the waiting time to exit the setup menu.

To able to operate the ECLIPSE with a light controller, adjust the DMX start address for the first a DMX channel. If e. g. address 33 on the controller is provided for controlling the function of the first DMX channel, adjust the start address 33 on the ECLIPSE. The other functions of the light effect panel are then automatically assigned to the following addresses.

An example with the start address 33 is shown below:

Number of DMX channels	Start address (example)	DMX Address occupied	Next possible start address for unit No. 1	Next possible start address for unit No. 2	Next possible start address for unit No. 3
1	33	33	34	35	36
3	33	33-34	35	37	39
4	33	33-36	37	41	45
5	33	33-37	38	43	48
8	33	33-40	41	49	57
11	33	33-43	44	55	66
17	33	33-49	50	67	84

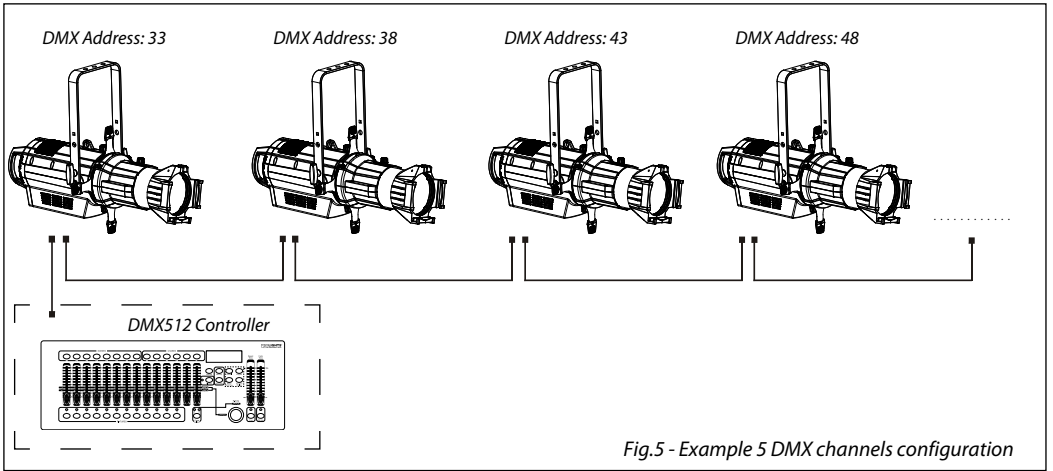
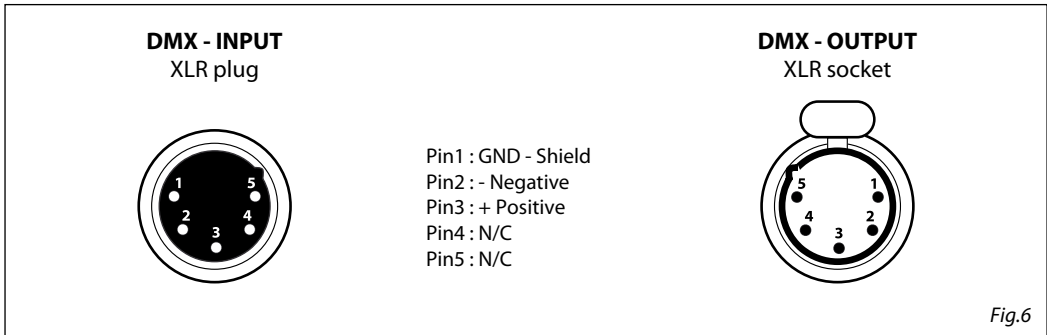


Fig.5 - Example 5 DMX channels configuration

3.12 CONNECTION OF THE DMX LINE

DMX connection employs standard XLR connectors. Use shielded pair-twisted cables with 120Ω impedance and low capacity.

The following diagram shows the connection mode:



ATTENTION

The screened parts of the cable (sleeve) must never be connected to the system's earth, as this would cause faulty fixture and controller operation.

Over long runs can be necessary to insert a DMX level matching amplifier.

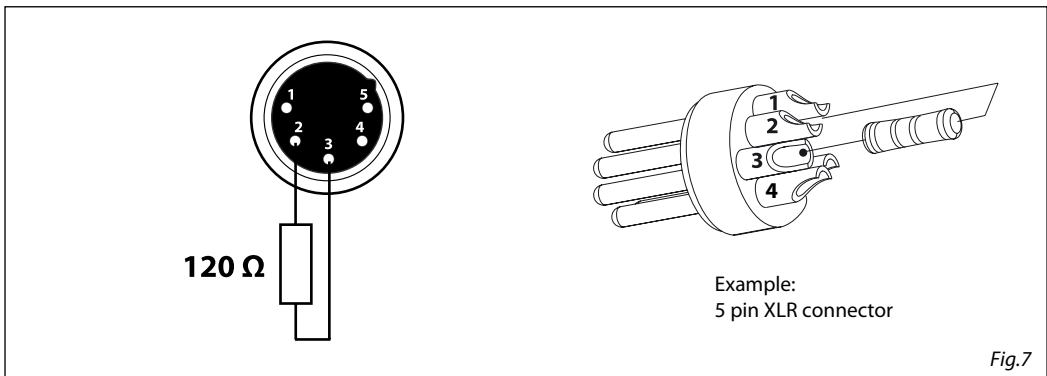
For those connections the use of balanced microphone cable is not recommended because it cannot transmit control DMX data reliably.

- Connect the controller DMX input to the DMX output of the first unit.
- Connect the DMX output to the DMX input of the following unit. Connect again the output to the input of the following unit until all the units are connected in chain.
- When the signal cable has to run longer distance is recommended to insert a DMX termination on the last unit.

3.13 CONSTRUCTION OF THE DMX TERMINATION

The termination avoids the risk of DMX 512 signals being reflected back along the cable when they reach the end of the line: under certain conditions and with certain cable lengths, this could cause them to cancel the original signals.

The termination is prepared by soldering a 120Ω $1/4W$ resistor between pins 2 and 3 of the 5-pin male XLR connector, as shown in figure.



3.14 DMX CONTROL

THEATER - 1 CHANNEL

MODE 1 Ch	FUNCTION	DMX Value
1	DIMMER 0~100%	000 - 255
NOTE - CHOOSE THE COLOR PRESET IN WHITE CALIBRATION		

THEATER - 3 CHANNELS

MODE 3 Ch	FUNCTION	DMX Value
1	DIMMER 0~100%	000 - 255
2	WHITE PRESET White 2700K White 3200K White 4200K White 5000K White 5500K White 6000K White 7000K White 8000K White 9000K White 10000K	000 - 026 027 - 051 052 - 076 077 - 101 102 - 126 127 - 151 152 - 176 177 - 201 202 - 226 227 - 255
3	DIMMER FADE 0~100% (0-1,5 s)	000 - 255

TOUR - 4 CHANNELS

MODE 4 Ch	FUNCTION	DMX Value
1	RED 0~100%	000 - 255
2	GREEN 0~100%	000 - 255
3	BLUE 0~100%	000 - 255
4	LIME 0~100%	000 - 255

THEATER - 5 CHANNELS

MODE 5 Ch	FUNCTION	DMX Value
1	DIMMER 0~100%	000 - 255
2	RED 0~100%	000 - 255
3	GREEN 0~100%	000 - 255
4	BLUE 0~100%	000 - 255
5	LIME 0~100%	000 - 255

TOUR - 8 CHANNELS

MODE 8 Ch	FUNCTION	DMX Value
1	DIMMER 0~100%	000 - 255
2	RED 0~100%	000 - 255
3	GREEN 0~100%	000 - 255
4	BLUE 0~100%	000 - 255
5	LIME 0~100%	000 - 255
6	COLOR PRESET	
	No Function	000 - 003
	Red	004 - 015
	Green	016 - 027
	Blue	028 - 039
	Lime	040 - 051
	Cyan	052 - 063
	Magenta	064 - 075
	Yellow	076 - 087
	Orange	088 - 099
	Light Yellow	100 - 111
	Light Blue	112 - 123
	Light Pink	124 - 135
	White 2700K	136 - 147
	White 3200K	148 - 159
	White 4200K	160 - 171
	White 5000K	172 - 183
White 5500K	184 - 195	
White 6000K	196 - 207	
White 7000K	208 - 219	
White 8000K	220 - 231	
White 9000K	232 - 243	
White 10000K	244 - 255	
7	STROBE	
	No Function Strobe slow to fast	000 - 010 011 - 255
8	DIMMER FADE 0~100% (0-1,5 s)	000 - 255

TOUR - 11 CHANNELS

MODE 11 Ch	FUNCTION	DMX Value
1	DIMMER 0~100%	000 - 255
2	DIMMER FINE 0~100%	000 - 255
3	RED 0~100%	000 - 255
4	RED FINE 0~100%	000 - 255
5	GREEN 0~100%	000 - 255
6	GREEN FINE 0~100%	000 - 255
7	BLUE 0~100%	000 - 255
8	BLUE FINE 0~100%	000 - 255
9	LIME 0~100%	000 - 255
10	LIME FINE 0~100%	000 - 255
11	STROBE	
	No Function Strobe slow to fast	000 - 010 011 - 255

THEATER - 17 CHANNELS

MODE 17 Ch	FUNCTION	DMX Value
1	DIMMER 0~100%	000 - 255
2	DIMMER FINE 0~100%	000 - 255
3	STROBE No Function shutter open Strobe effect slow to fast No Function shutter open Random strobe effect slow to fast No Function shutter open	000 - 030 031 - 100 101 - 130 131 - 200 201 - 255
4	CTO 2700K - 3200K 3200K - 4200K 4200K - 5000K 5000K - 5500K 5500K - 6000K 6000K - 7000K 7000K - 8000K 8000K - 9000K 9000K - 10000K	000 - 027 028 - 055 056 - 083 084 - 111 112 - 139 140 - 167 168 - 195 196 - 223 224 - 255
5	HUE -25 to 0 No Function 0 to +25	000 - 126 127 - 127 128 - 255
6	CROSSFADE 0~100%	000 - 255

THEATER - 17 CHANNELS

MODE 17 Ch	FUNCTION	DMX Value
7	RED 0~100%	000 - 255
8	RED FINE 0~100%	000 - 255
9	GREEN 0~100%	000 - 255
10	GREEN FINE 0~100%	000 - 255
11	BLUE 0~100%	000 - 255
12	BLUE FINE 0~100%	000 - 255
13	LIME 0~100%	000 - 255
14	LIME FINE 0~100%	000 - 255
15	COLOR MACRO No Function Amber Shift on Color Macro	000 - 002 003 - 005 006 - 255
16	CTO 0~100%	000 - 255
17	DIMMER FADE Preset dimmer speed from display menu Dimmer speed mode off Dimmer speed mode1 (fast speed) Dimmer speed mode2 (middle speed) Dimmer speed mode3 (slow speed)	000 - 051 052 - 101 102 - 152 153 - 203 204 - 255

3.15 FIXTURE SETTINGS

It is possible to change the parameter value in the following way:

Dimmer

- Enter in Dimmer mode to select specific dimming curve, press the button MENU so many times until shows **DIM MODE**, and press the button ENTER to confirm.
- Press the button UP/DOWN to select **OFF - DIM1 - DIM2 - DIM3**.
- Press ENTER button to store.
- Press the MENU button to go back or to meet the waiting time to exit the setup menu.

Back Light

- To activate Backlight display press the button MENU so many times until shows **BACK LIGHT**, and press the button ENTER to confirm.
- Press the button UP/DOWN to select **ON - 10S - 20S - 30S**.
- Press ENTER button to confirm the selection.
- Press the MENU button to go back or to meet the waiting time to exit from the setup menu automatically.

Fan Mode

- To set the Fan Mode press the button MENU so many times until shows **FAN MODE**, and press the button ENTER to confirm.
- Press the button UP/DOWN to select **AUTO - HIGH**.
- Press ENTER button to confirm the selection.
- Press the MENU button to go back or to meet the waiting time to exit from the setup menu automatically.

LED Frequency

- To adjust the frequency of the LEDs, press the MENU button repeatedly until the display shows **LED Frequency**, and then press the ENTER button.
- Select the frequency (**600Hz - 1200Hz - 2000Hz - 4000Hz - 25kHz**) using the UP/DOWN buttons.
- To confirm, press the ENTER key.
- Press the MENU button to go back or wait a few seconds to exit the setup menu.

3.16 FIXTURE INFORMATION

Fixture Hours

Show the fixture working hours.

- Press the button MENU so many times until shows **INFORMATION**. Press the button ENTER to confirm
- Using the button UP/DOWN to select **FIX HOURS**, then press the button ENTER to confirm
- Then the display will show the working hours.
- Press the MENU button to go back or to meet the waiting time to exit from the setup menu automatically

Version

Show the fixture firmware version.

- Press the button MENU so many times until shows **INFORMATION**
- Select through the button UP/DOWN the **VERSION** menu voice.
- The display will show the firmware data.

- Press the MENU button to go back or to meet the waiting time to exit from the setup menu automatically.

Setting

- Press the button MENU so many times until shows **INFORMATION**
- In order to reset custom modes to default values select **SETTING** using the button UP/DOWN.
- Press the ENTER button.

- 4 - MAINTENANCE

4.1 MAINTENANCE AND CLEANING THE UNIT

- Make sure the area below the installation place is free from unwanted persons during setup.
- Switch off the unit, unplug the main cable and wait until the unit has cooled down.
- All screws used for installing the device and any of its parts should be tightly fastened and should not be corroded.
- Housings, fixations and installation spots (ceiling, trusses, suspensions) should be totally free from any deformation.
- The main cables must be in impeccable condition and should be replaced immediately even when a small problem is detected.
- It is recommended to clean the front at regular intervals, from impurities caused by dust, smoke, or other particles to ensure that the light is radiated at maximum brightness. For cleaning, disconnect the main plug from the socket. Use a soft, clean cloth moistened with a mild detergent. Then carefully wipe the part dry. For cleaning other housing parts use only a soft, clean cloth. Never use a liquid, it might penetrate the unit and cause damage to it.

4.2 FUSE REPLACEMENT

1. Remove the safety cap by a screwdriver.
2. Replace the blown fuse with a fuse of the exact same type and rating.
3. Install the safety cap, and reconnect power.



Fig.8

4.3 TROUBLESHOOTING

Problems	Possible causes	Checks and remedies
Fixture does not light up	<ul style="list-style-type: none"> • No mains supply • Dimmer fader set to 0 • All color faders set to 0 • Faulty LED • Faulty LED board 	<ul style="list-style-type: none"> • Check the power supply voltage • Increase the value of the dimmer channels • Increase the value of the color channels • Replace the LED board • Replace the LED board
General low light intensity	<ul style="list-style-type: none"> • Dirty lens assembly • Misaligned lens assembly 	<ul style="list-style-type: none"> • Clean the fixture regularly • Install lens assembly properly
Fixture does not power up	<ul style="list-style-type: none"> • No power • Loose or damaged power cord • Faulty internal power supply 	<ul style="list-style-type: none"> • Check for power on power outlet • Check power cord • Replace internal power supply
Fixture does not respond to DMX	<ul style="list-style-type: none"> • Wrong DMX addressing • Damaged DMX cables • Bouncing signals 	<ul style="list-style-type: none"> • Check control panel and unit addressing • Check DMX cables • Install terminator as suggested

Contact an authorized service center in case of technical problems or not reported in the table can not be resolved by the procedure given in the table.

Music & Lights S.r.l. si riserva ogni diritto di elaborazione in qualsiasi forma delle presenti istruzioni per l'uso.
La riproduzione - anche parziale - per propri scopi commerciali è vietata.

Al fine di migliorare la qualità dei prodotti, la Music&Lights S.r.l. si riserva la facoltà di modificare, in qualunque momento e senza preavviso, le specifiche menzionate nel presente manuale di istruzioni.
Tutte le revisioni e gli aggiornamenti sono disponibili nella sezione 'Manuali' sul sito www.musiclights.it

INDICE	Sicurezza	
	Avvertenze generali	4
	Attenzioni e precauzioni per l'installazione	4
	1 Introduzione	
	1.1 Descrizione	5
	1.2 Specifiche tecniche	5
	1.3 Configurazione Eclipse	7
	1.4 Elementi di comando e di collegamento	8
	2 Installazione	
	2.1 Montaggio	9
	3 Funzioni e impostazioni	
	3.1 Funzionamento	10
	3.2 Impostazione base	10
	3.3 Struttura menu	11
	3.4 Modalità Static	14
	3.5 Modalità Manuale	14
	3.6 Modalità Master/Slave	14
	3.7 Modalità Full On	14
	3.8 Modalità White Balance	14
	3.9 Collegamento	14
	3.10 Configurazione canali DMX	15
	3.11 Modalità DMX	15
	3.12 Collegamenti della linea DMX	17
	3.13 Costruzione del terminatore DMX	17
	3.14 Canali DMX	18
	3.15 Funzioni dispositivo	21
	3.16 Informazioni sul dispositivo	21
	4 Manutenzione	
	4.1 Manutenzione e pulizia del sistema ottico	23
	4.2 Sostituzione fusibile	23
	4.3 Risoluzione dei problemi	23

Contenuto dell'imballo:

- ECLIPSEFC
 - Staffa di fissaggio
 - Cavo di alimentazione
 - Manuale utente
-




ATTENZIONE! Prima di effettuare qualsiasi operazione con l'unità, leggere con attenzione questo manuale e conservarlo accuratamente per riferimenti futuri. Contiene informazioni importanti riguardo l'installazione, l'uso e la manutenzione dell'unità.



SICUREZZA

Avvertenze generali

- I prodotti a cui questo manuale si riferisce sono conformi alle Direttive della Comunità Europea e pertanto recano la sigla CE.
- Il dispositivo funziona con pericolosa tensione di rete 230V~. Non intervenire mai al suo interno al di fuori delle operazioni descritte nel presente manuale; esiste il pericolo di una scarica elettrica.
- È obbligatorio effettuare il collegamento ad un impianto di alimentazione dotato di un'efficiente messa a terra (apparecchio di Classe I secondo norma EN 60598-1). Si raccomanda, inoltre, di proteggere le linee di alimentazione delle unità dai contatti indiretti e/o cortocircuiti verso massa tramite l'uso di interruttori differenziali opportunamente dimensionati.
- Le operazioni di collegamento alla rete di distribuzione dell'energia elettrica devono essere effettuate da un installatore elettrico qualificato. Verificare che frequenza e tensione della rete corrispondono alla frequenza ed alla tensione per cui l'unità è predisposta, indicate sulla targhetta dei dati elettrici.
- L'unità non per uso domestico, solo per uso professionale.
- Evitare di utilizzare l'unità:
 - in luoghi soggetti ad umidità;
 - in luoghi soggetti a vibrazioni, o a possibili urti;
 - in luoghi a temperatura superiore ai 45°C.
- Evitare che nell'unità penetrino liquidi infiammabili, acqua o oggetti metallici.
- Non smontare e non apportare modifiche all'unità.
- Tutti gli interventi devono essere sempre e solo effettuati da personale tecnico qualificato. Rivolgersi al più vicino centro di assistenza tecnica autorizzato.
- Se si desidera eliminare il dispositivo definitivamente, consegnarlo  per lo smaltimento ad un'istituzione locale per il riciclaggio.

Attenzioni e precauzioni per l'installazione

- Se il dispositivo dovesse trovarsi ad operare in condizioni differenti da quelle descritte nel presente manuale, potrebbero verificarsi dei danni; in tal caso la garanzia verrebbe a decadere. Inoltre, ogni altra operazione potrebbe provocare cortocircuiti, incendi, scosse elettriche, rotture etc.
- Prima di iniziare qualsiasi operazione di manutenzione o pulizia sull'unità togliere la tensione dalla rete di alimentazione.
- È assolutamente necessario proteggere l'unità per mezzo di una fune di sicurezza. Nell'eseguire qualsiasi intervento attenersi scrupolosamente a tutte le normative (in materia di sicurezza) vigenti nel paese di utilizzo.
- Installare l'unità in un luogo ben ventilato.
- Mantenere i materiali infiammabili ad una distanza di sicurezza dall'unità.
- I filtri, le lenti o gli schermi ultravioletti se danneggiati possono limitare la loro efficienza.
- I LED devono essere sostituiti se danneggiati o termicamente deformati.
- Non guardare direttamente il fascio luminoso. Tenete presente che i veloci cambi di luce possono provocare attacchi d'epilessia presso persone fotosensibili o epilettiche.
- Non toccare l'alloggiamento del prodotto quando è in funzione perché potrebbe essere molto caldo.
- Questo prodotto è stato progettato e costruito esclusivamente per l'utilizzo indicato in questa documentazione. Qualsiasi altro utilizzo non espressamente indicato potrebbe pregiudicare la funzionalità del prodotto e/o rappresentare fonte di pericolo.
- Si declina qualsiasi responsabilità derivata dall'uso improprio del prodotto.

- 1 - INTRODUZIONE

1.1 DESCRIZIONE

ECLIPSEFC è un sagomatore di fascia alta, equivalente a proiettori alogeni da 750 W. La specifica sorgente a RGB+Lime ci permette di riprodurre qualsiasi tonalità colore e coprire interamente lo spettro del bianco, da 2.800 K a 10.000 K con un elevato CRI. Il sistema ottico sfrutta la potenza di un LED customizzato per creare una proiezione uniforme con tagli puliti ed una messa a fuoco nitida e morbida, colori vivi e un bianco preciso, consentendo la possibilità di applicare la correzione +/- verde e magenta per integrarsi nell'uso televisivo con altre fonti di luce, ottiche intercambiabili ad angolo fisso e/o zoom, il tutto nella totalità assenza di rumore grazie all'avanzato sistema di raffreddamento.

1.2 SPECIFICHE TECNICHE

SORGENTE LUMINOSA

- Sorgente: 91x3W RGB + lime LED
- Flusso luminoso: (5°) 3'538 lm - (10°) 4'088 lm - (14°) 4'618 lm - (19°) 3'921 lm - (26°) 4'918 lm - (36°) 4'918 lm - (50°) 4'557lm
- Lux: (5°) 36'042 lx - (10°) 17'857 lx - (14°) 9'201 lx - (19°) 5'850 lx - (26°) 3'769 lx - (36°) 2'280 lx, (50°) 1'050lx @3 m full
- Durata media sorgente: > 50.000 h

OTTICA

- Angolo di proiezione: optional 5° / 10° / 14° / 19° / 26° / 36° / 50° / Z15 - 30° / Z25 - 50°
- Tipo lente: gruppo ottico composto da lente in vetro HQ

SISTEMA COLORE

- Miscelazione del colore: RGB + lime / full colour
- CTC: controllo CTC tramite canale DMX indipendente, regolazione +/- verde e magenta e attivazione amber shift da DMX
- Preset bianchi: 2.700 K ~10.000K
- Macros: preset bianchi incorporati

EFFETTI DINAMICI

- Dimensioni gobos: B, outer: 86 mm - image: 64,5 mm - thickness: 1,1 mm
- Modalità colore statico: riproduzione statica di un colore
- Modalità colore manuale: regolazione manuale di un colore
- Caratteristiche speciali: automatic software colour balance when fixture warms up - linear crossfade from a white to any color and CTO applied on colours

CORPO

- Corpo: corpo in alluminio pressofuso ad alta resistenza
- Colore: nero, variante con finitura bianca disponibile

CONTROLLO

- Protocolli: DMX512, RDM
- Canali DMX: Theater 1 / 3 / 5 / 17 channel - Tour 4 / 8 / 11channel
- RDM: RDM ready per controllo e impostazioni remote della fixture
- Display: display black OLED ad alta risoluzione

- Aggiornamento firmware: si, con interfaccia USB - DMX (UPBOX1) non inclusa
- Master/Slave: per il controllo di più unità collegate in catena

ELETTRONICA

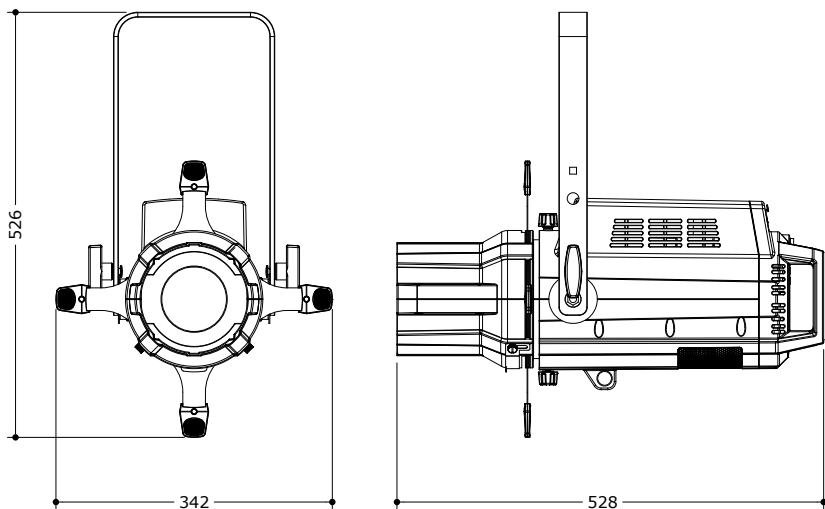
- Dimmer: 0 ~ 100% lineare, elettronico
- Curve dimmer: 4 curve dimmer regolabili
- Strobo / shutter: 1 - 30 Hz, elettronico
- Batteria di backup: batteria tampone per l'accesso al menu anche senza alimentazione
- Temperatura d'esercizio: $-10^{\circ} \sim +45^{\circ}$
- Flicker: funzionamento senza sfarfallio
- PWM selezionabile: 600 ~ 25.000 Hz

ALIMENTAZIONE

- Alimentazione elettrica: 100-240 V – 50/60 Hz
- Potenza assorbita (a 230 V): 216W
- Output (a 230 V): 6 unità connesse in serie

CARATTERISTICHE FISICHE

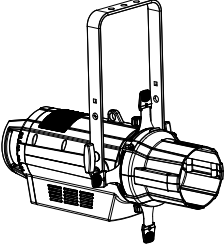
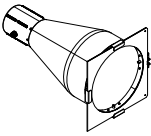
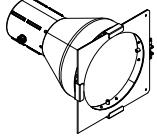
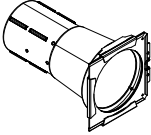
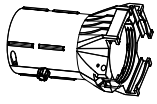
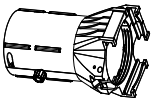
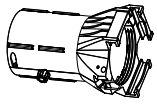
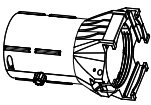
- Raffreddamento: sistema di dissipazione a con heating-pipe
- Sospensione e fissaggio: staffa per il fissaggio in sospensione e per il posizionamento del proiettore con qualsiasi orientamento
- Connessione di segnale: Amphenol XLR 5p IN/OUT connectors
- Connessione di alimentazione: Neutrik powerCON IN/OUT connectors
- Grado IP: 20
- Dimensioni (LxAxP): 342x506x530 mm
- Peso: 9 kg



Disegno tecnico

Fig.1

1.3 CONFIGURAZIONE ECLIPSEFC

Configurazione	
1	<div style="display: flex; justify-content: space-between;"> <div style="width: 30%;"> <p>Alloggiamento del riflettore</p> </div> <div style="width: 30%; text-align: center;">  <p>ECLIPSEFC</p> </div> <div style="width: 30%;"> <p>Parte centrale, compatibile con ottica 5°, 10°, 14°, 19°, 26°, 36°, 50°</p> </div> </div>
2	<div style="display: flex; justify-content: space-between;"> <div style="width: 45%;"> <p>ECLIPSELB05 Ottica per sagomatore ECLIPSEFC, angolo 5°</p>  </div> <div style="width: 45%;"> <p>ECLIPSELB10 Ottica per sagomatore ECLIPSEFC, angolo 10°</p>  </div> </div>
	<div style="display: flex; justify-content: space-between;"> <div style="width: 45%;"> <p>ECLIPSELB14 Ottica per sagomatore ECLIPSEFC, angolo 14°</p>  </div> <div style="width: 45%;"> <p>ECLIPSELB19 Ottica per sagomatore ECLIPSEFC, angolo 19°</p>  </div> </div>
	OR
	<div style="display: flex; justify-content: space-between;"> <div style="width: 45%;"> <p>ECLIPSELB26 Ottica per sagomatore ECLIPSEFC, angolo 26°</p>  </div> <div style="width: 45%;"> <p>ECLIPSELB36 Ottica per sagomatore ECLIPSEFC, angolo 36°</p>  </div> </div>
	<p>ECLIPSELB50 Ottica per sagomatore ECLIPSEFC, angolo 50°</p> 

1.4 ELEMENTI DI COMANDO E COLLEGAMENTI

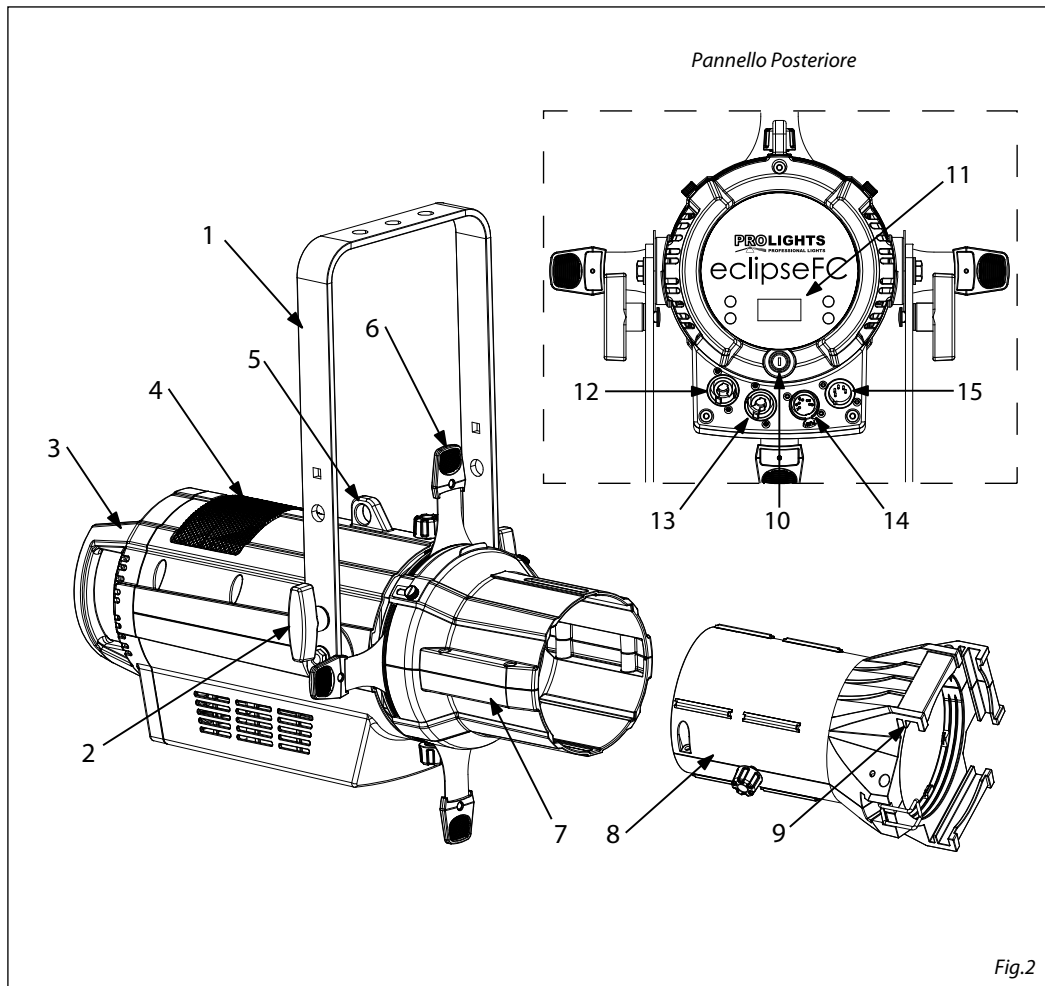


Fig.2

1. STAFFA DI MONTAGGIO
2. MANOPOLA DI FISSAGGIO per la staffa di montaggio
3. MANIGLIA
4. ECLIPSEFC
5. SAFETY EYE per l'aggancio al cavo di sicurezza
6. OTTURATORE
7. ECLIPSEMP - Middle part in alluminio
8. OTTICA
9. TELAIO
10. ALLOGGIAMENTO FUSIBILE in caso di rottura del fusibile, sostituire sempre con uno dello stesso tipo e dello stesso valore.
11. PANNELLO DI CONTROLLO con display e 4 pulsanti per accesso e gestione delle diverse funzioni
12. POWER IN (PowerCON IN): per il collegamento ad una presa di rete (100-240V~/50-60Hz) tramite il cavo rete in dotazione.
13. POWER OUT (PowerCON OUT): collegamento per l'alimentazione all'unità successiva.
14. DMX OUT (XLR a 5 poli):
1 = massa, 2 = DMX -, 3 = DMX +, 4 N/C, 5 N/C
15. DMX IN (XLR a 5 poli):
1 = massa, 2 = DMX -, 3 = DMX +, 4 N/C, 5 N/C

- 2 - INSTALLAZIONE

2.1 MONTAGGIO

L'ECLIPSEFC può essere collocata su un piano solido. Inoltre, grazie alle possibilità di fissaggio sulla staffa (fig.3), l'unità può essere montata anche a testa in giù, su una traversa. Per il fissaggio occorrono dei supporti robusti per il montaggio. L'area di collocazione deve avere una stabilità sufficiente e supportare almeno 10 volte il peso dell'unità.

Inoltre assicurarsi di rispettare tutte le avvertenze in materia di sicurezza.

- Fissare il proiettore attraverso l'apposita staffa (1) ad una collocazione idonea.
- È assolutamente necessario assicurare il proiettore contro la caduta utilizzando un cavo di sicurezza: in particolare collegare il cavo in un punto adatto in modo che la caduta del proiettore non possa superare i 20 cm.
- Orientare il proiettore intervenendo, se necessario, sulla manopola della staffa di montaggio (2).

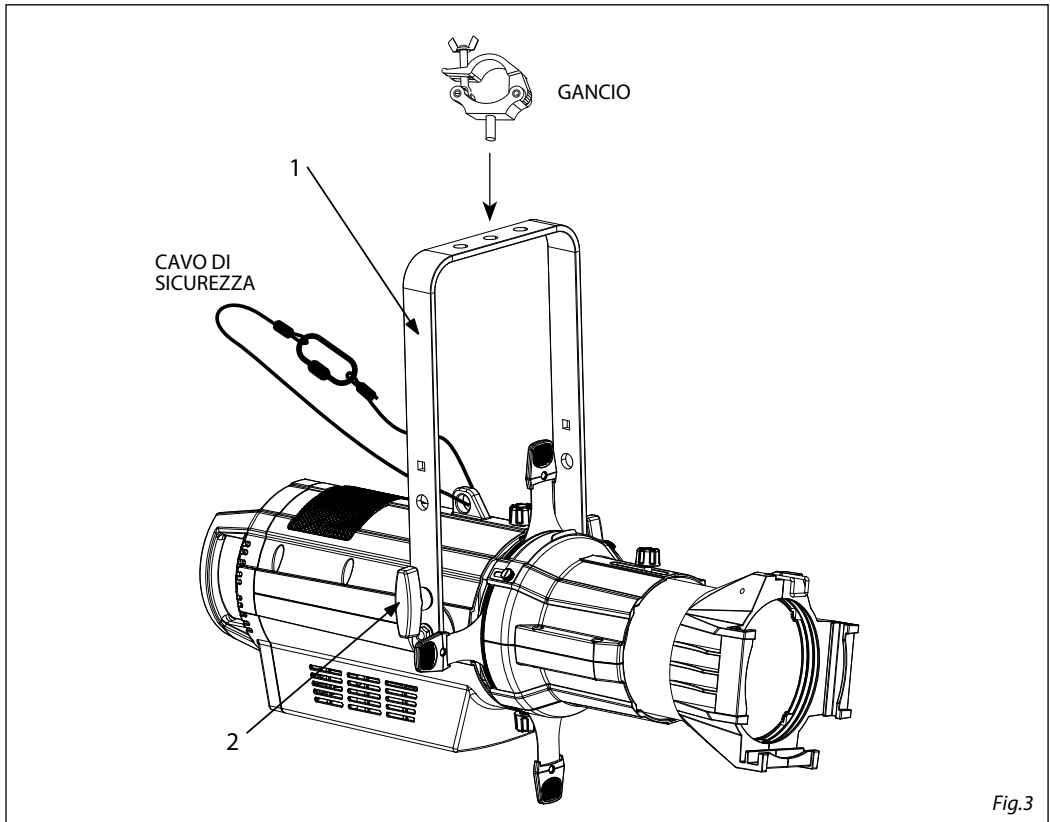


Fig.3

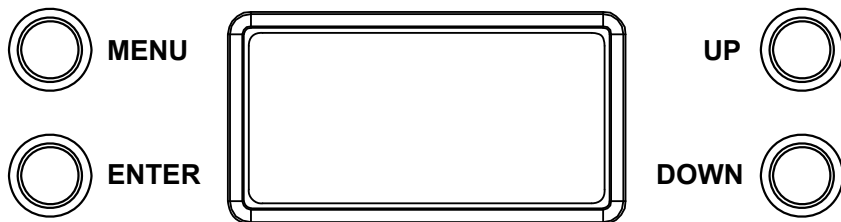
- 3 - FUNZIONI E IMPOSTAZIONI

3.1 FUNZIONAMENTO

Per accendere l'ECLIPSEFC, inserire la spina del cavo di alimentazione in una presa di rete (100-240V~/50-60Hz). L'unità può essere comandata da un unità DMX di comando luce oppure svolgere autonomamente il suo programma. Per spegnere l'ECLIPSEFC, staccare la spina dalla presa di rete. Per maggiore comodità è consigliabile collegare l'unità con una presa comandata da un interruttore.

3.2 IMPOSTAZIONE BASE

L'ECLIPSEFC dispone di un OLED display e 4 pulsanti per accesso alle funzioni del pannello di controllo e la loro gestione (fig.4).



MENU	UP	DOWN	ENTER
Per scorrere il menu principale o tornare ad una opzione del menu precedente	Per scorrere attraverso le diverse funzioni in ordine discendente o aumentare il valore della funzione stessa	Per scorrere attraverso le diverse funzioni in ordine ascendente o diminuire il valore della funzione stessa	Per entrare nel menu selezionato o confermare il valore attuale della funzione o l'opzione all'interno di un menu

Fig.4 - Funzione dei tasti

3.3 STRUTTURA MENU

	MENU	Remark
1	DMX Address ⇨ Value (001-512)	Default: 001
2	DMX Channel ⇨ Theater ⇨ 1 Ch 3 Ch 5 Ch 17 Ch Tour ⇨ 4 Ch 8 Ch 11 Ch	Default: 8 CH
3	Full on Mode ⇨ HB Mode Studio Mode	Default: Studio
4	Dimmer Mode ⇨ Off Dimmer 1 Dimmer 2 Dimmer 3	Default: Off Works only in DMX Channels without DIMMER FADE channel (1, 5, 4, 11)
5	White Calibrat. ⇨ 2700K 3200K 4200K 5500K 6000K 8000K Full RGBL Custom ⇨ Red ⇨ Value (000-255) Green ⇨ Value (000-255) Blue ⇨ Value (000-255) Lime ⇨ Value (000-255)	Default: 3200 K Not customizable RGBL (all 255) User can see and edit every single RGBL parameter

6	Stand Alone	⇒ Master/Slave	⇒ Master Slave		
		Effects	⇒ Effect 1 Effect 2 Effect 3 Effect 4 Effect 5		
		Statics	⇒ Fixed Color	⇒ R G B L RG RB RL GB GL BL RGB RGL RBL GBL RGBL	Default: RGBL
			⇒ Color Temperature	⇒ White 2700K White 3200K White 4200K White 5000K White 5500K White 6000K White 7000K White 8000K White 9000K White 10000K	Default: 3200 K
			⇒ Manual color Mix	⇒ Red Green Blue Lime	⇒ Value (000-255) ⇒ Value (000-255) ⇒ Value (000-255) ⇒ Value (000-255)

7	White Balance	⇒	Off	Manual	⇒	Red Green Blue Lime	⇒	Value (125-255Value)	
8	LED Frequency	⇒	600 Hz 1200 Hz 2000 Hz 4000 Hz 25 kHz	Default: 1200 kHz					
9	Fan Mode	⇒	Auto Speed High Speed	Default: Auto speed					
10	Back Light	⇒	On 10 s 20s 30 s	Default: 10 s					
11	Information	⇒	Fixture Hours < 9999 H > Version < V1.0 > UID Settings Reset factory	Fixture running time 0-9999H Version number					

3.4 MODALITÀ STATICA

L'unità dispone di preset colori pre-programmati che possono essere impostati attraverso la seguente procedura:

- Premere il tasto MENU fino a quando sul display non appare **STATIC**, quindi premere il tasto ENTER.
- Selezionare **Fixed Color** attraverso i tasti UP/DOWN, quindi premere il tasto ENTER.
- Impostare i colori **Red, Green, Blue, Lime, Red Green, Red Blue, Red Lime, Green Blue, Green Lime, Red Green Blue, Red Green Lime, Red Blue Lime, Green Blue Lime, Red Green Blue Lime**, attraverso i tasti UP/DOWN, quindi premere il tasto ENTER.
- Selezionare **Color Temperature** attraverso i tasti UP/DOWN, quindi premere il tasto ENTER.
- Impostare i colori **White 2700K, White 3200K, White 4200K, White 5000K, White 5500K, White 6000K, White 7000K, White 8000K, White 9000K, White 10000K**, attraverso i tasti UP/DOWN, quindi premere il tasto ENTER.
- Premere il tasto MENU per tornare indietro o attendere alcuni secondi per uscire dal menu di impostazione.

3.5 MODALITÀ MANUALE

Per impostare il bilanciamento personalizzato dei colori rosso, verde, blu e lime, far riferimento alla seguente procedura:

- Premere il tasto MENU fino a quando sul display non appare **STATIC**, quindi premere il tasto ENTER.
- Selezionare **MANUAL COLOR MIXER** attraverso i tasti UP/DOWN, quindi premere il tasto ENTER.
- Selezionare il colore **Red, Green, Blue, Lime** attraverso i tasti UP/DOWN, quindi premere il tasto ENTER.
- Utilizzare i tasti UP/DOWN per impostare il valore desiderato **000 - 255**.
- Premere il tasto ENTER per continuare e passare al successivo colore tra **Red, Green, Blue, Lime**
- Continuare fino ad ottenere la miscelazione del colore.
- Premere il tasto MENU per tornare indietro o attendere alcuni secondi per uscire dal menu di impostazione.

3.6 MODALITÀ MASTER/SLAVE

Questa modalità consente di collegare in linea più unità ECLIPSEFC senza un controller. La prima unità sarà impostata come master e le altre funzioneranno come slave con lo stesso effetto.

- Premere il tasto MENU fino a quando sul display non appare **MASTER/SLAVE**, quindi premere il tasto ENTER.
- Premere i tasti UP/DOWN e selezionare la modalità (**MASTER/SLAVE**) per impostare le unità come master o slave. Premere il tasto ENTER per confermare.
- Sull'unità master selezionare il programma desiderato come indicato al paragrafo 3.4.
- Servirsi dei connettori DMX dell'ECLIPSEFC e di un cavo XLR per formare una catena di unità. In certe condizioni e lunghezze si consiglia di effettuare una terminazione come mostrato a pagina 17.

3.7 MODALITÀ FULL ON

- Premere il tasto MENU fino a quando sul display non appare **FULL ON MODE**, quindi premere il tasto ENTER.
- Selezionare la modalità desiderata: **HB** (modalità High Brightness, con il valore massimo dei colori) o **Studio**, con un bilanciamento automatico del bianco.
- Premere il tasto ENTER per confermare.
- Premere il tasto MENU per tornare indietro o attendere alcuni secondi per uscire dal menu di impostazione.

3.8 MODALITÀ WHITE BALANCE

- Per impostare il bilanciamento del bianco, premere il tasto MENU fino a quando sul display non appare **WHITE BALANCE**, quindi premere il tasto ENTER.
- Attraverso i tasti UP/DOWN selezionare il colore: **Red, Gree, Blue, Lime**. Premere ENTER per confermare.
- Usare i tasti UP/DOWN per impostare il valore desiderato **125-255**.

- Premere il tasto ENTER per continuare e passare al successivo colore **Red, Green, Blue o Lime**.
- Continuare fino ad impostare i valori desiderati.
- Premere il tasto MENU per tornare indietro o attendere alcuni secondi per uscire dal menu di impostazione.

3.9 COLLEGAMENTO

1. Collegare l'uscita DMX OUT dell'unità principale con l'ingresso DMX IN della prima unità secondaria servendosi di un cavo XLR a 5 poli.
2. Collegare l'uscita DMX OUT della prima unità secondaria con l'ingresso DMX IN della seconda unità secondaria ecc.

3.10 CONFIGURAZIONE CANALI DMX

L'ECLIPSEFC dispone di diverse configurazioni dei canali DMX a cui si può accedere dal pannello di controllo.

- Premere il tasto MENU fino a quando sul display non appare **DMX CHANNEL**, quindi premere il tasto ENTER.
- Attraverso i tasti UP/DOWN selezionare **THEATER** e poi premere il tasto ENTER se si vuole selezionare la configurazione dei canali DMX **1CH - 3CH - 5CH - 17CH** o **4CH - 8CH - 11CH**.
- Altrimenti, selezionare **TOUR** se si vuole selezionare la configurazione dei canali DMX **4CH - 8CH** o **11CH**.
- Dopo aver effettuato la scelta premere il tasto ENTER per confermare.

Le tabelle a pagina 18 e 19 indicano le modalità di funzionamento e i relativi valori DMX. Come interfaccia DMX, l'unità possiede dei contatti XLR a 5 poli.

3.11 MODALITÀ DMX

- Per impostare l'indirizzo DMX, premere il tasto MENU fino a quando sul display non appare **DMX ADDRESS**, quindi premere il tasto ENTER.
- Premere il tasto UP/DOWN per selezionare il valore desiderato (**001-512**); tenere premuto invece il tasto UP/DOWN per lo scorrimento veloce.
- Premere il tasto ENTER per confermare l'impostazione.

Per poter comandare l'ECLIPSEFC con un'unità di comando luce, occorre impostare l'indirizzo di start DMX per il primo canale DMX. Se, per esempio, sull'unità di comando è previsto l'indirizzo 33 per comandare la funzione del primo canale DMX, si deve impostare sull'ECLIPSEFC l'indirizzo di start 33. Le altre funzioni del pannello saranno assegnate automaticamente agli indirizzi successivi.

Numero canali DMX	Indirizzo di start (esempio)	Indirizzo DMX occupati	Prossimo indirizzo di start possibile per unità n°1	Prossimo indirizzo di start possibile per unità n°2	Prossimo indirizzo di start possibile per unità n°3
1	33	33	34	35	36
3	33	33-34	35	37	39
4	33	33-36	37	41	45
5	33	33-37	38	43	48
8	33	33-40	41	49	57
11	33	33-43	44	55	66
17	33	33-49	50	67	84

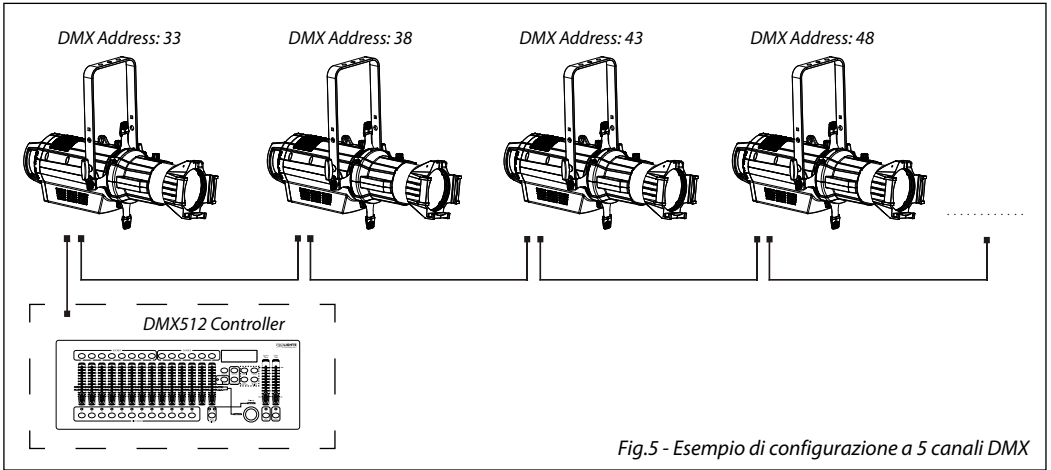
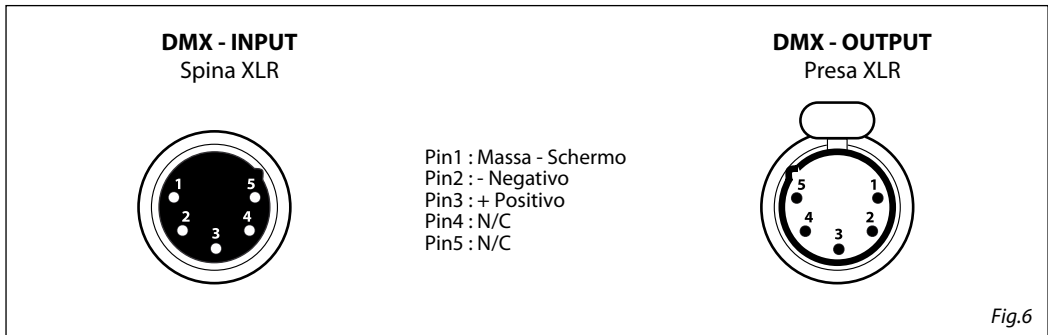


Fig.5 - Esempio di configurazione a 5 canali DMX

3.12 COLLEGAMENTI DELLA LINEA DMX

La connessione DMX è realizzata con connettori standard XLR. Utilizzare cavi schermati, 2 poli ritorti, con impedenza 120Ω e bassa capacità.

Per il collegamento fare riferimento allo schema di connessione riportato di seguito:



ATTENZIONE

La parte schermata del cavo (calza) non deve mai essere collegata alla terra dell'impianto; ciò comporterebbe malfunzionamenti delle unità e dei controller.

Per passaggi lunghi può essere necessario l'inserimento di un amplificatore DMX.

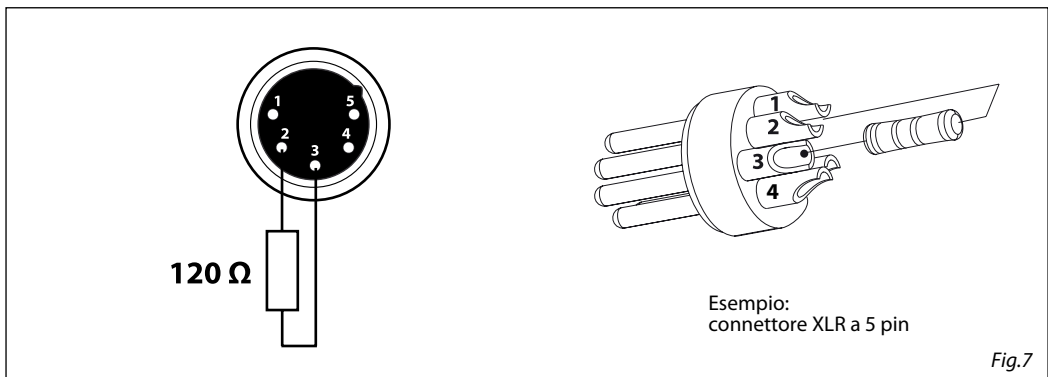
In tal caso, è sconsigliato utilizzare nei collegamenti cavo bilanciato microfonico poiché non è in grado di trasmettere in modo affidabile i dati di controllo DMX.

- Collegare l'uscita DMX del controller con l'ingresso DMX della prima unità;
- Collegare, quindi, l'uscita DMX con l'ingresso DMX della successiva unità; l'uscita di quest'ultima con l'ingresso di quella successiva e via dicendo finché tutte le unità sono collegate formando una catena.
- Per installazioni in cui il cavo di segnale deve percorrere lunghe distanze è consigliato inserire sull'ultima unità una terminazione DMX.

3.13 COSTRUZIONE DEL TERMINATORE DMX

La terminazione evita la probabilità che il segnale DMX 512, una volta raggiunta la fine della linea stessa venga riflesso indietro lungo il cavo, provocando, in certe condizioni e lunghezze, la sua sovrapposizione al segnale originale e la sua cancellazione.

La terminazione deve essere effettuata, sull'ultima unità della catena, con connettori XLR a 3/5 pin, saldando una resistenza di 120Ω (minimo $1/4W$) tra i terminali 2 e 3, così come indicato in figura.



3.14 CANALI DMX

THEATER - 1 CANALE

MODE 1 Ch	FUNCTION	DMX Value
1	DIMMER 0~100%	000 - 255
NOTE - CHOOSE THE COLOR PRESET IN WHITE CALIBRATION		

THEATER - 3 CANALI

MODE 3 Ch	FUNCTION	DMX Value
1	DIMMER 0~100%	000 - 255
2	WHITE PRESET White 2700K White 3200K White 4200K White 5000K White 5500K White 6000K White 7000K White 8000K White 9000K White 10000K	000 - 026 027 - 051 052 - 076 077 - 101 102 - 126 127 - 151 152 - 176 177 - 201 202 - 226 227 - 255
3	DIMMER FADE 0~100% (0-1,5 s)	000 - 255

TOUR - 4 CANALI

MODE 4 Ch	FUNCTION	DMX Value
1	RED 0~100%	000 - 255
2	GREEN 0~100%	000 - 255
3	BLUE 0~100%	000 - 255
4	LIME 0~100%	000 - 255

THEATER - 5 CANALI

MODE 5 Ch	FUNCTION	DMX Value
1	DIMMER 0~100%	000 - 255
2	RED 0~100%	000 - 255
3	GREEN 0~100%	000 - 255
4	BLUE 0~100%	000 - 255
5	LIME 0~100%	000 - 255

TOUR - 8 CANALI

MODE 8 Ch	FUNCTION	DMX Value
1	DIMMER 0~100%	000 - 255
2	RED 0~100%	000 - 255
3	GREEN 0~100%	000 - 255
4	BLUE 0~100%	000 - 255
5	LIME 0~100%	000 - 255
6	COLOR PRESET	
	No Function	000 - 003
	Red	004 - 015
	Green	016 - 027
	Blue	028 - 039
	Lime	040 - 051
	Cyan	052 - 063
	Magenta	064 - 075
	Yellow	076 - 087
	Orange	088 - 099
	Light Yellow	100 - 111
	Light Blue	112 - 123
	Light Pink	124 - 135
	White 2700K	136 - 147
	White 3200K	148 - 159
	White 4200K	160 - 171
	White 5000K	172 - 183
White 5500K	184 - 195	
White 6000K	196 - 207	
White 7000K	208 - 219	
White 8000K	220 - 231	
White 9000K	232 - 243	
White 10000K	244 - 255	
7	STROBE	
	No Function Strobe slow to fast	000 - 010 011 - 255
8	DIMMER FADE 0~100% (0-1,5s)	000 - 255

TOUR - 11 CANALI

MODE 11 Ch	FUNCTION	DMX Value
1	DIMMER 0~100%	000 - 255
2	DIMMER FINE 0~100%	000 - 255
3	RED 0~100%	000 - 255
4	RED FINE 0~100%	000 - 255
5	GREEN 0~100%	000 - 255
6	GREEN FINE 0~100%	000 - 255
7	BLUE 0~100%	000 - 255
8	BLUE FINE 0~100%	000 - 255
9	LIME 0~100%	000 - 255
10	LIME FINE 0~100%	000 - 255
11	STROBE	
	No Function Strobe slow to fast	000 - 010 011 - 255

THEATER - 17 CHANNELS

MODE 17 Ch	FUNCTION	DMX Value
1	DIMMER 0~100%	000 - 255
2	DIMMER FINE 0~100%	000 - 255
3	STROBE No Function shutter open Strobe effect slow to fast No Function shutter open Random strobe effect slow to fast No Function shutter open	000 - 030 031 - 100 101 - 130 131 - 200 201 - 255
4	CTO 2700K - 3200K 3200K - 4200K 4200K - 5000K 5000K - 5500K 5500K - 6000K 6000K - 7000K 7000K - 8000K 8000K - 9000K 9000K - 10000K	000 - 027 028 - 055 056 - 083 084 - 111 112 - 139 140 - 167 168 - 195 196 - 223 224 - 255
5	HUE -25 to 0 No Function 0 to +25	000 - 126 127 - 127 128 - 255
6	CROSSFADE 0~100%	000 - 255

THEATER - 17 CHANNELS

MODE 17 Ch	FUNCTION	DMX Value
7	RED 0~100%	000 - 255
8	RED FINE 0~100%	000 - 255
9	GREEN 0~100%	000 - 255
10	GREEN FINE 0~100%	000 - 255
11	BLUE 0~100%	000 - 255
12	BLUE FINE 0~100%	000 - 255
13	LIME 0~100%	000 - 255
14	LIME FINE 0~100%	000 - 255
15	COLOR MACRO No Function Amber Shift on Color Macro	000 - 002 003 - 005 006 - 255
16	CTO 0~100%	000 - 255
17	DIMMER FADE Preset dimmer speed from display menu Dimmer speed mode off Dimmer speed mode1 (fast speed) Dimmer speed mode2 (middle speed) Dimmer speed mode3 (slow speed)	000 - 051 052 - 101 102 - 152 153 - 203 204 - 255

3.15 FUNZIONI DISPOSITIVO

Per l'ECLIPSEFC è possibile accedere alle seguenti funzioni dispositivo:

Dimmer

- Per entrare nella modalità dimmer e scegliere e simulare diverse curve dimming, premere il tasto MENU ripetutamente fino a quando sul display non compare **DIM MODE**, quindi premere il tasto ENTER.
- Premere il tasto UP/DOWN per selezionare (**OFF - DIM1 - DIM2 - DIM3**).
- Premere il tasto ENTER per confermare la scelta.
- Premere il tasto MENU per tornare indietro o attendere alcuni secondi per uscire dal menu di impostazione.

Back Light

- Per regolare il tempo della retroilluminazione display, premere il tasto MENU ripetutamente fino a quando sul display non compare **BACK LIGHT**, quindi premere il tasto ENTER.
- Premere il tasto UP/DOWN per selezionare (**ON - 10s - 20s - 30s**).
- Premere il tasto ENTER per confermare la scelta.
- Premere il tasto MENU per tornare indietro o attendere alcuni secondi per uscire dal menu di impostazione.

Fan Mode

- Per impostare la modalità di funzionamento delle ventole, premere il tasto MENU ripetutamente fino a quando sul display non compare **FAN MODE**, quindi premere il tasto ENTER.
- Premere il tasto UP/DOWN per selezionare **AUTO/HIGH**.
- Premere il tasto ENTER per confermare la scelta.
- Premere il tasto MENU per tornare indietro o attendere alcuni secondi per uscire dal menu di impostazione.

Frequenza LED

- Per regolare la frequenza dei LED, premere il tasto MENU ripetutamente fino a quando sul display non compare **LED FREQUENCY**, quindi premere il tasto ENTER.
- Selezionare il valore della frequenza (**600Hz - 1200Hz - 2000Hz - 4000Hz - 25kHz**) attraverso i tasti UP/DOWN.
- Per confermare premere il tasto ENTER.
- Premere il tasto MENU per tornare indietro o attendere alcuni secondi per uscire dal menu di impostazione.

3.14 INFORMAZIONI SUL DISPOSITIVO

FixHours

Permette di visualizzare le ore di funzionamento del dispositivo.

- Premere il tasto MENU ripetutamente fino a quando sul display non compare **INFORMATION**.
- Premere ENTER per confermare.
- Selezionare attraverso i tasti UP/DOWN **FIX HOURS**, quindi premere ENTER per confermare.
- Il display indicherà le ore di funzionamento.
- Premere il tasto MENU per tornare indietro o attendere alcuni secondi per uscire dal menu di impostazione.

Version

Permette di visualizzare la versione firmware del proiettore.

- Premere il tasto MENU ripetutamente fino a quando sul display non compare **INFORMATION**.
- Premere ENTER per confermare

- Selezionare con i tasti UP/DOWN la funzione **VERSION** e premere ENTER.
- Il display indicherà la versione firmware del proiettore.
- Premere il tasto MENU per tornare indietro o attendere alcuni secondi per uscire dal menu di impostazione.

Setting

Permette di ripristinare i valori di fabbrica di default.

- Premere il tasto MENU ripetutamente fino a quando sul display non compare **INFORMATION**.
- Premere ENTER per confermare.
- Selezionare attraverso i tasti UP/DOWN **SETTING**, quindi premere ENTER per confermare.
- Premere il tasto MENU per tornare indietro o attendere alcuni secondi per uscire dal menu di impostazione.

- 4 - MANUTENZIONE

4.1 MANUTENZIONE E PULIZIA DEL SISTEMA OTTICO

- Durante gli interventi, assicurarsi che l'area sotto il luogo di installazione sia libera da personale non qualificato.
- Spegnerne l'unità, scollegare il cavo di alimentazione ed aspettare finché l'unità non si sia raffreddata.
- Tutte le viti utilizzate per l'installazione dell'unità e le sue parti devono essere assicurate saldamente e non devono essere corrose.
- Alloggiamenti, elementi di fissaggio e di installazione (soffitto, truss, sospensioni) devono essere totalmente esenti da qualsiasi deformazione.
- I cavi di alimentazione devono essere in condizione impeccabile e devono essere sostituiti immediatamente nel momento in cui anche un piccolo problema viene rilevato.
- Si dovrebbe procedere, ad intervalli regolari, alla pulizia della parte frontale per asportare polvere, fumo e altre particelle. Solo così, la luce può essere irradiata con la luminosità massima. Per la pulizia usare un panno morbido, pulito e un detergente per vetri come si trovano in commercio. Quindi asciugare le parti delicatamente.

4.2 SOSTITUZIONE FUSIBILE

1. Assicurarsi di scollegare il cavo di alimentazione del proiettore prima di sostituire un fusibile bruciato con uno dello stesso tipo.
2. Con un cacciavite, rimuovere il portafusibile dalla sua sede e il fusibile bruciato dal suo supporto; sostituire il fusibile con uno identico per tipologia e valore.
3. Inserire il portafusibile al suo posto e ricollegare l'alimentazione.

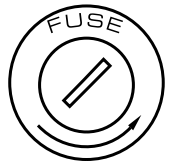
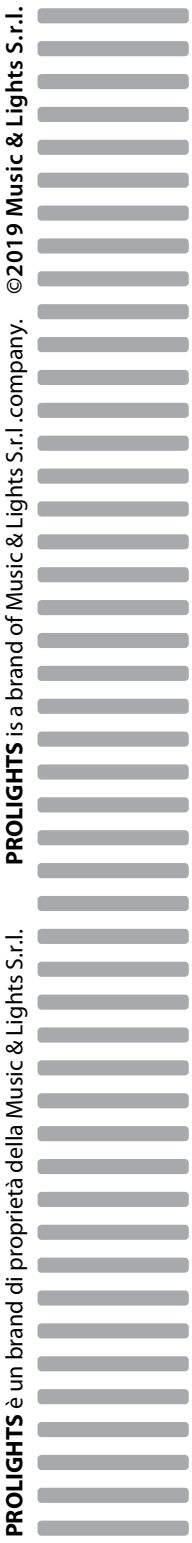


Fig.8

4.3 RISOLUZIONE DEI PROBLEMI

Anomalie	Possibili cause	Controlli e rimedi
Il proiettore non illumina	<ul style="list-style-type: none"> • Mancanza di alimentazione di rete • Dimmer impostato a 0 • Tutti i colori impostati a 0 • LED difettoso/i • Scheda LED difettosa 	<ul style="list-style-type: none"> • Verificare la presenza della tensione alimentazione • Incrementare i valori del canale dimmer • Incrementare i valori dei canali colori • Sostituire scheda LED • Sostituire scheda LED
Bassa intensità di luce generale	<ul style="list-style-type: none"> • Lenti sporche • Lente disallineata 	<ul style="list-style-type: none"> • Pulire il dispositivo regolarmente • Installare il gruppo ottico correttamente
Il proiettore non è alimentato	<ul style="list-style-type: none"> • Mancanza di alimentazione di rete • Cavo di alimentazione danneggiato • Alimentatore interno difettoso 	<ul style="list-style-type: none"> • Verificare la presenza della tensione alimentazione • Controllare il cavo di alimentazione • Sostituire l'alimentatore interno
Il proiettore non risponde al DMX	<ul style="list-style-type: none"> • Indirizzamento DMX errato • Cavo di segnale DMX difettoso • Rimbalzo segnale DMX 	<ul style="list-style-type: none"> • Controllare il pannello di controllo e l'indirizzamento delle unità • Controllare il cavo di segnale DMX • Installare una terminazione DMX come suggerito

Rivolgersi a un centro di assistenza tecnico autorizzato nel caso in cui il problema non sia riportato in tabella.



PROLIGHTS è un brand di proprietà della Music & Lights S.r.l. **PROLIGHTS** is a brand of Music & Lights S.r.l. company. ©2019 Music & Lights S.r.l.