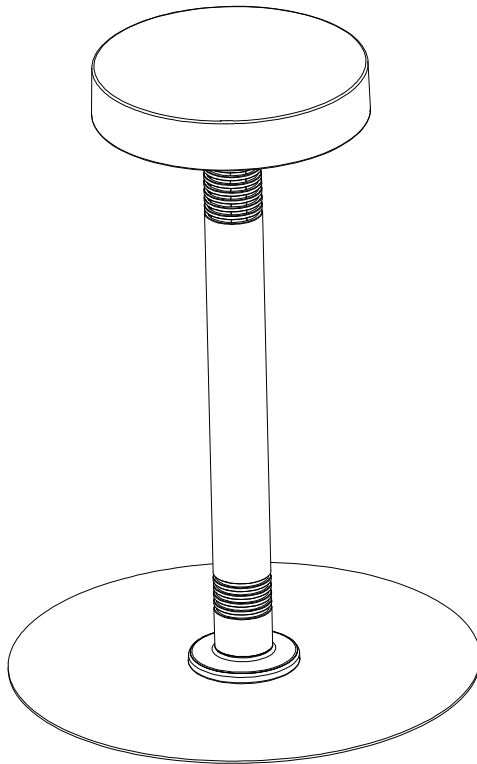


TABLEDC

REVOLUTIONARY FULL COLOR EVENT
BATTERY TABLE LAMP



USER MANUAL
MANUALE UTENTE

All rights reserved by Music & Lights S.r.l. No part of this instruction manual may be reproduced in any form or by any means for any commercial use.

In order to improve the quality of products, Music&Lights S.r.l. reserves the right to modify the characteristics stated in this instruction manual at any time and without prior notice.
All revisions and updates are available in the 'manuals' section on site www.musiclights.it

TABLE OF CONTENTS**Safety**

General instructions	2
Warnings and installation precautions	2

1 Introduction

1.1 Description	3
1.2 Technical specifications	3
1.3 Operating elements and connections	5

2 Installation

2.1 Mounting	6
--------------------	---

3 Functions and settings

3.1 Operation	7
3.2 Basic setup	7
3.3 Recharge	7
3.4 Menu structure	8
3.5 DMX addressing	9
3.6 DMX mode	9
3.7 DMX configuration	10
3.8 Wireless setting	10
3.9 Display setting	10
3.10 IR setup	11
3.11 Lamp setting	11
3.12 Fixture information	11
3.13 Wireless operation	12
3.14 DMX channels	13

4 Maintenance

4.1 Maintenance and cleaning the unit	16
---	----




WARNING! Before carrying out any operations with the unit, carefully read this instruction manual and keep it with care for future reference. It contains important information about the installation, usage and maintenance of the unit.



SAFETY

General instruction

- The products referred to in this manual conform to the European Community Directives and are therefore marked with **CE**.
- Supply voltage of this product is DC24V; never connect directly to AC220V. Leave servicing to skilled personnel only. Never make any modifications on the unit not described in this instruction manual, otherwise you will risk an electric shock.
- Connection of the power adapter must be made to a power supply system fitted with efficient earthing (Class I appliance according to standard EN 60598-1). It is, moreover, recommended to protect the supply lines of the units from indirect contact and/or shorting to earth by using appropriately sized residual current devices.
- The connection to the main network of electric distribution must be carried out by a qualified electrical installer. Check that the voltage correspond to those for which the unit is designed as given on the electrical data label.
- This unit is not for home use, only professional applications.
- Never use the fixture under the following conditions:
 - in places subject to vibrations or bumps;
 - in places subject to excessive humidity.
- Make certain that no inflammable liquids, water or metal objects enter the fixture.
- Do not dismantle or modify the fixture.
- All work must always be carried out by qualified technical personnel. Contact the nearest sales point for an inspection or contact the manufacturer directly.
- If the unit is to be put out of operation definitively, take it to a local recycling  plant for a disposal which is not harmful to the environment.

Warnings and installation precautions

- If this device will be operated in any way different to the one described in this manual, it may suffer damage and the guarantee becomes void. Furthermore, any other operation may lead to dangers like short circuit, burns, electric shock, etc.
- Before starting any maintenance work or cleaning the projector, cut off power from the main supply.
- Always additionally secure the projector with the safety rope. When carrying out any work, always comply scrupulously with all the regulations (particularly regarding safety) currently in force in the country in which the fixture's being used.
- Install the fixture in a well ventilated place.
- Keep any inflammable material at a safe distance from the fixture.
- Shields, lenses or ultraviolet screens shall be changed if they have become damaged to such an extent that their effectiveness is impaired.
- The lamp (LED) shall be changed if it has become damaged or thermally deformed.
- Never look directly at the light beam. Please note that fast changes in lighting, e. g. flashing light, may trigger epileptic seizures in photosensitive persons or persons with epilepsy.
- Do not touch the product's housing when operating because it may be very hot.
- This product was designed and built strictly for the use indicated in this documentation. Any other use, not expressly indicated here, could compromise the good condition/operation of the product and/or be a source of danger.
- We decline any liability deriving from improper use of the product.

- 1 - INTRODUCTION

1.1 DESCRIPTION

TABLED is an ingenious product which offers beautiful table lighting for events whilst keeping the atmosphere of the room. Based on a stunning aesthetic design, it is not only a stylish centerpiece but fast to deploy and easy to use. With local control and wireless DMX, it can either act as a standalone table light or be part of a spectacular event lighting package.

1.2 TECHNICAL SPECIFICATIONS

LIGHT SOURCE

- Source: 6x3 W + 6x1W RGB + Neutral White
- CT: NW 4.000K
- CRI: 80
- Source life expectancy: > 50.000 h

OPTICS

- Beam angle: 360° designed to light up standard 160/180 cm ceremony tables

DYNAMIC EFFECTS

- Static colour mode: selection of static colour
- Manual colour mode: manual adjustment of colour

BODY

- Hardware on-board: magnetic base
- Body: sturdy die-cast aluminium body conceived for long-time durability
- Body colour: mirror and white finishing

CONTROL

- Protocols: W-DMX
- DMX channels: 4 / 7 / 10 / 12 channel
- W-DMX: included, wireless solution receiver
- Display: black OLED high resolution display
- Firmware upgrade: yes, via USB - DMX interface (UPBOX1) not included
- IR: infrared sensor controlled by remote

ELECTRONICS

- Dimmer: linear 0 ~ 100% electronic dimmer
- Dimmer curves: 4 different dimming curves available
- Strobe / shutter: 1 - 30 Hz, electronic
- Operating temperature: -10° ~ +45°

ELECTRICAL

- Power supply: DC 24 V - 1 A
- Power consumption (at 230 V): 8,8W

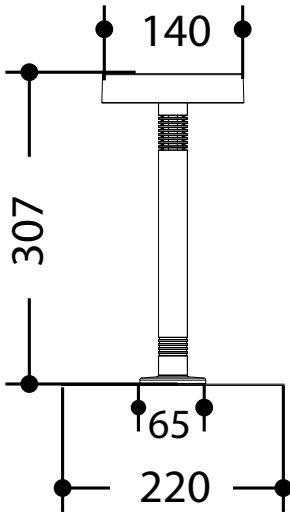
BATTERY

- Battery: 2,20 Ah - 14,8V lithium
- Estimated battery life in colour change mode up to: 14,5h

- Estimated battery life in single colour mode up to: R: 19h - G: 17,5h - B: 17,5h - W: 17,5h
- Estimated battery life in full-mode up to: 9h
- Re-charge connection: power cable fast-charge in pelican case
- Re-charge time: 4h/max
- Battery status: shown on display

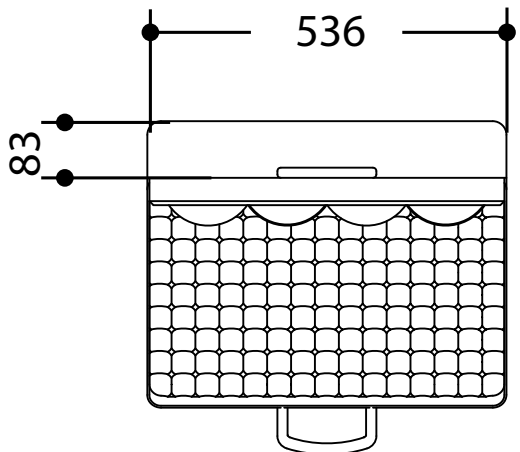
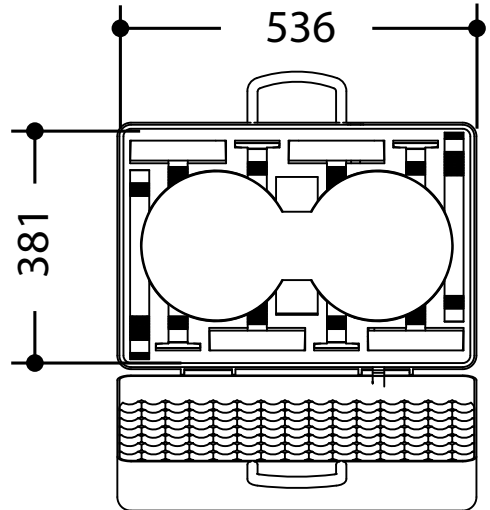
PHYSICAL

- Sospension and fixing: magnetic base to attach on every metal surface
- Data connection: W-DMX receiver
- IP rating: 30
- Dimensions (WxHxD): 140x307x220mm
- Weight: 1,18kg



Technical drawing Tabled

Fig.1



Technical drawing Tabled-Pack

1.3 OPERATING ELEMENTS AND CONNECTIONS

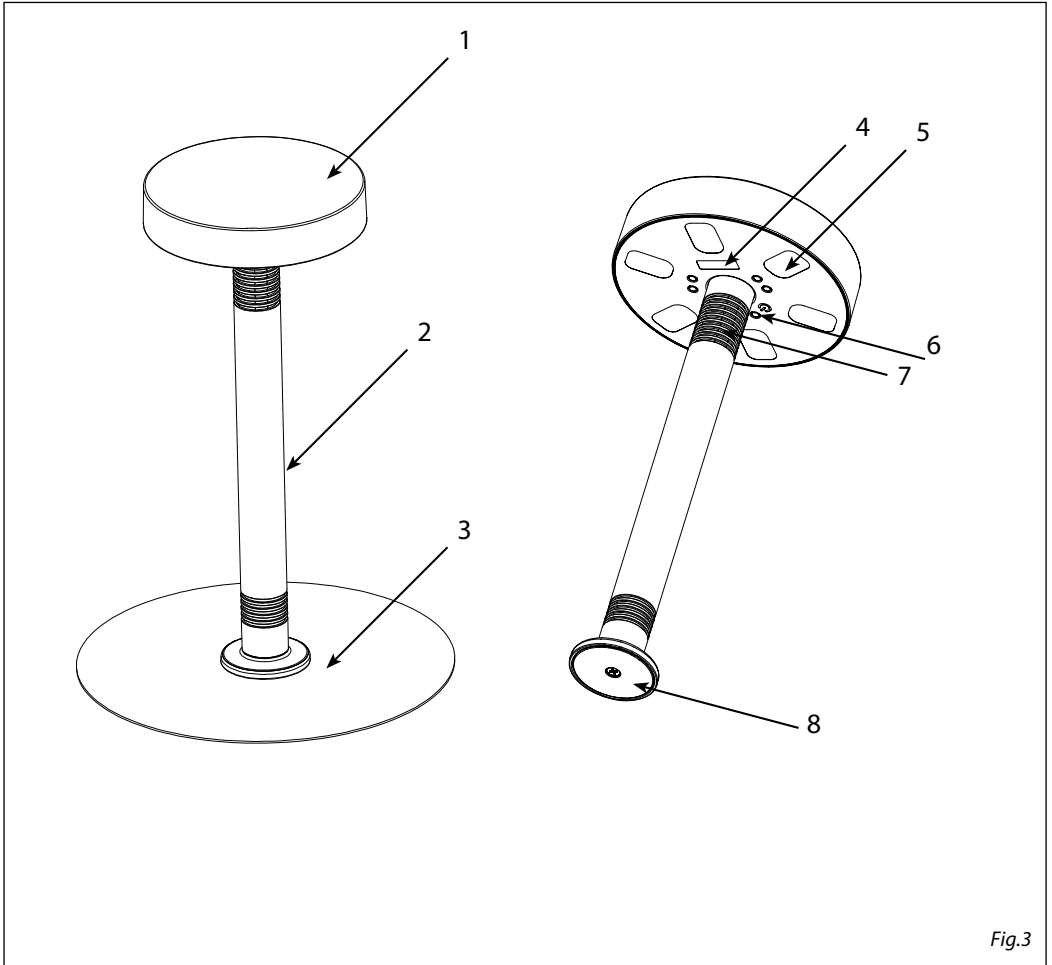


Fig.3

1. TOP LED & PCB with removable cover
2. Tube / extension - junction system for connecting two pipes to extend the height, and battery compartment.
3. Metal plate.
4. Display OLED with display and 4 button used to access the control panel functions and manage them.
5. LED
6. ON/OFF SWITCH.
7. Wireless receiver
8. Magnetic base for mounting on metal surfaces

- 2 - INSTALLATION

2.1 MOUNTING

TABLED can be placed on a solid floor with fixing possibility through the magnetic base that can be placed on the table or under the tablecloth.

Moreover, thanks to the joint system to connect 2 pipes, the height can be extended.

The location area should have enough stability to support at least 10 times the weight of the unit.

Please take care to respect all warnings regarding safety

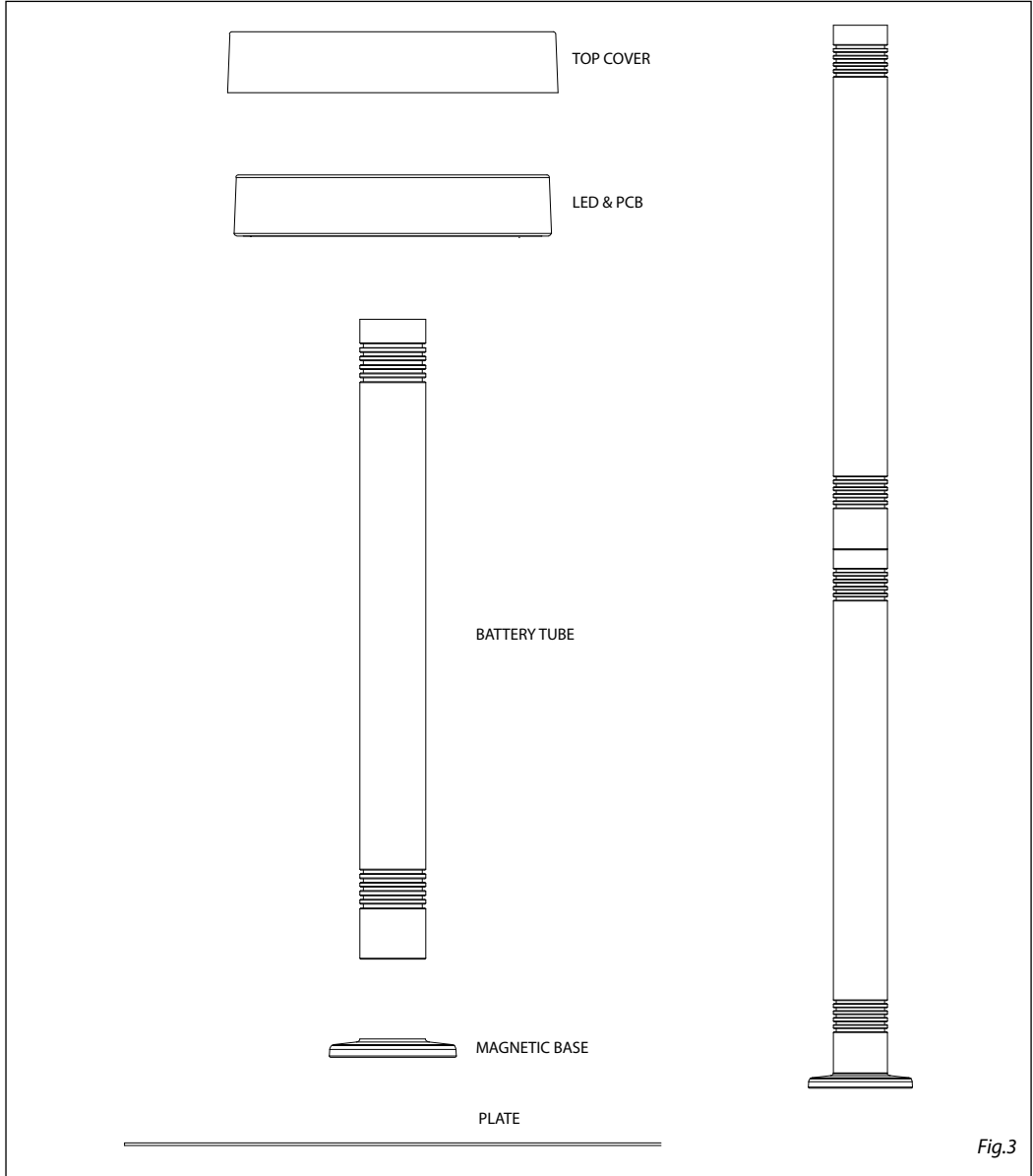


Fig.3

- 3 - FUNCTIONS AND SETTINGS

3.1 OPERATION

Switch on the TABLED with the power switch. The unit is ready for operation and can be operated via a DMX controller or it independently performs its show program in succession.

After operation, switch off the unit with the power switch.

3.2 BASIC SETUP

The TABLED has a OLED display and 4 buttons for access to the functions of the control panel (fig. 5).

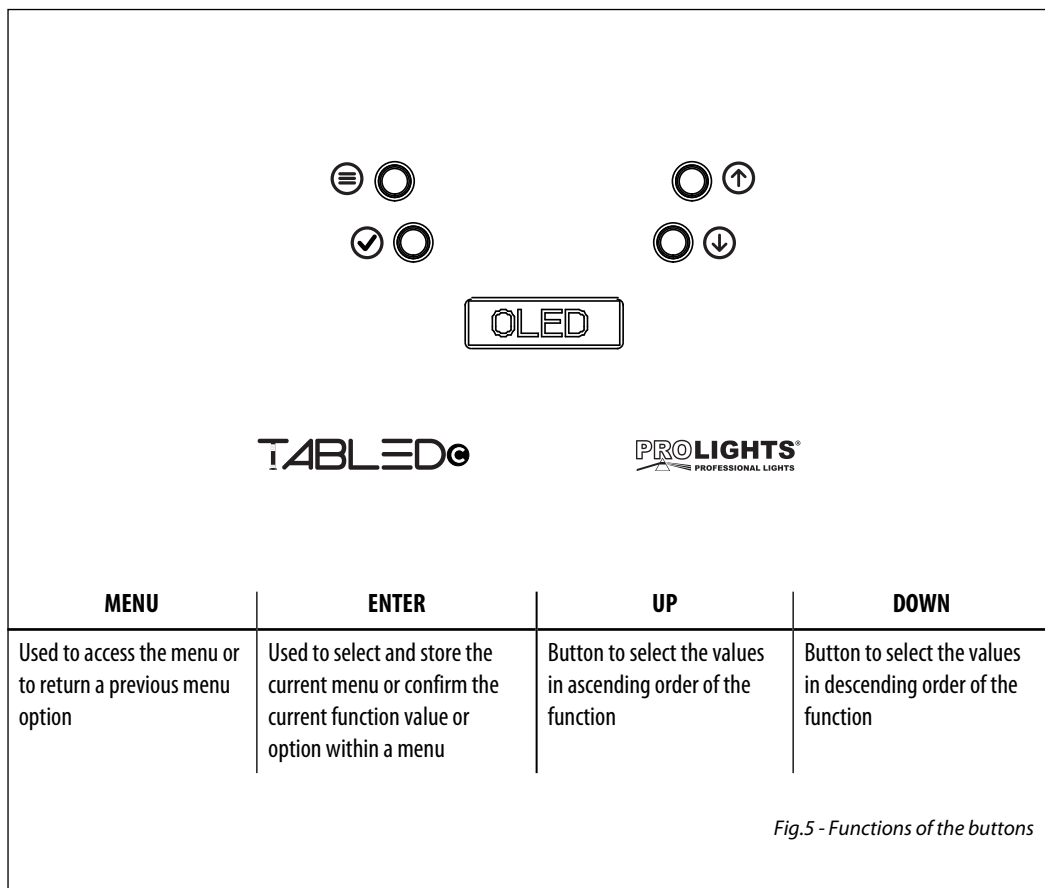


Fig.5 - Functions of the buttons

3.3 RECHARGE

To recharge TABLED:

- connect the unit to the special battery charger through the lower connector
- connect the battery charger to the power supply

NOTE - The charging time are 4 h and autonomy is 12h

3.4 MENU STRUCTURE

MENU					
1	CONNECT	⇒ DMX Address	⇒ 001 - 512		
		⇒ DMX mode	⇒ BASIC 4 Ch		
			STANDARD 7 Ch		
			EXTENDED 10 Ch		
			ADVANCED 12 Ch		
	⇒ Wireless	⇒ Receive On/Off	⇒ On		
			Off		
		Receive connect	⇒ No		
			Yes		
	⇒ IR Setting	⇒ On			
		Off			
2	SETUP	⇒ Screen	⇒ Backlight	⇒ On	
				10s	
				20s	
				30s	
		⇒ Key lock	⇒ No		
			Yes		
3	ADVANCED	⇒ Dimmer mode	⇒ Off		
			Dimmer 1		
			Dimmer 2		
			Dimmer 3		
		⇒ White Balance	⇒ Adjust		
			Off		
		⇒ Adjust	⇒ Red	⇒ 000 - 255	
		Green	⇒ 000 - 255		
		Blue	⇒ 000 - 255		
	⇒ Factory Reload	⇒ No			
		Yes			
4	INFORMATIOJN	⇒ Fixture time	⇒ 9999 H		
		Version	⇒ V 1.0		
5	STAND ALONE	⇒ Sequence	⇒ Show 1		
			Show 2		
			Show 3	⇒ speed (1-100)	
			Show 4		

⇒ Static	⇒ Preset	⇒ R	
		G	
		B	
		RG	
		RB	
		GB	
		RGB	
		W	
	⇒ Manual Color	⇒ R	⇒ 000 - 255
		G	⇒ 000 - 255
		B	⇒ 000 - 255
		W	⇒ 000 - 255

3.5 DMX ADDRESSING

To be able to operate the TABLED with a light controller, set the unit DMX start address for the first DMX channel. To set the start address refer to following procedure:

- Use the UP/DOWN button until the display reads **[DMX Address]** and then press the ENTER button to confirm
- Press the UP/DOWN button to select the value **[d 1-512]** and then press the ENTER button.

If e. g. address 33 on the controller is provided for controlling the function of the first DMX channel, adjust the start address 33 on the TABLED.

The other functions of the light effect panel are then automatically assigned to the following addresses. An example with the start address 33 is shown in the page 13.

DMX Channels number	Start address (example)	Busy DMX address	Next possible start address for unit n°1	Next possible start address for unit n°2	Next possible start address for unit n°3
4	33	33-36	37	41	45
7	33	33-39	40	47	51
10	33	33-42	43	53	63
12	33	33-34	45	55	67

4 channels DMX configuration example

3.6 DMX MODE

To enter the DMX mode, follow these steps:

- Press the ENTER button to access the main menu.
- Press the UP/DOWN button to scroll the menu, select the **Connect** icon, then press the ENTER button to enter the next menu.
- Press the UP/DOWN button to scroll through the menu, select the **DMX Address** and press the ENTER key.
- Press the arrow keys to select the desired value (**001-512**).
- Press the ENTER key to confirm the setting.
- Press the LEFT button repeatedly to exit the menu and save changes.

3.7 DMX CONFIGURATION

The TABLED has 5 DMX channel configurations which can be accessed from the control panel.

- Press the ENTER button to access the main menu.
- Press the UP/DOWN button to scroll the menu, select the **Set** icon, then press the ENTER button to enter the next menu.
- Press the UP/DOWN button to scroll through the menu, select **Users** and press the ENTER button to enter the next menu.
- Press the UP/DOWN button to scroll through the menu, select **User Mode** and press ENTER to confirm your choice.
- Use the UP/DOWN button to select the desired DMX channel configuration (**Basic, Standard, Extended**), then press the ENTER button to confirm your choice.
- Press the LEFT button repeatedly to exit the menu and save changes.

The tables on page 18 show the mode of operation and their values DMX.

The unit is equipped with 3/5-pole XLR connections.

3.8 WIRELESS CONTROL SETTINGS

To enable wireless control mode, proceed as follows:

- Press the ENTER button to access the main menu.
- Press the UP/DOWN button to scroll the menu, select the **Connect** icon, then press the ENTER button to enter the next menu.
- Press the UP/DOWN button to scroll through the menu, select **Wireless** and press ENTER.
- Press the UP/DOWN and LEFT/RIGHT buttons to select the desired value (**001-512**).
- Press the ENTER key to confirm the setting.

To change the settings of wireless control, proceed as follows:

- Press the ENTER button to access the main menu.
- Press the UP/DOWN button to scroll the menu, select the **Set** icon, then press the ENTER button to enter the next menu.
- Press the UP/DOWN button to scroll through the menu, select **Wireless Set**, and press the ENTER button to enter the next menu.
- Press the UP/DOWN button to select the option proposed and press the ENTER button to confirm your choice.
 - **Receive** - Disable/enable the DMX signal cable. Select OFF to deactivate or ON to activate the function.
 - **Reset Connect** - Reset the wireless connection of the unit. Select OFF to deactivate or ON to activate the function.
- Press the ENTER button to confirm your choice.
- Press the LEFT button repeatedly to exit the menu and save changes.

3.9 DISPLAY SETTINGS

You can change the following parameters related to the display, following the same procedure:

- Press the ENTER button to access the main menu.
- Press the UP / DOWN keys to scroll the menu, select the Setup icon, then press the ENTER button to enter the next menu.
- Press UP / DOWN to scroll through the menu, then select UI Set, and press the ENTER button to enter the next menu.
- Press UP / DOWN to scroll through the menu, and then select one of the following settings for the display and press the ENTER key to display it.
 - **Back Light** - Backlight display Auto Off. This feature allows you to automatically turn off the backlight

after a specified time that you can set using the arrow buttons. To have the display always on select **Always On** or set a value of On - 10s - 20s - 30s to turn off the display after the amount of time you choose.

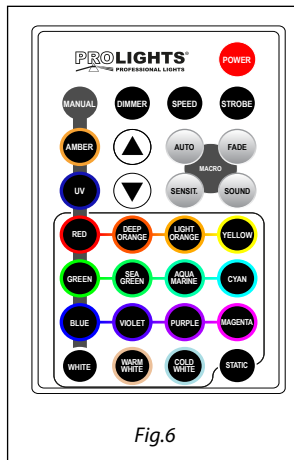
- **Key Lock** - Lock keys. With this function, you can lock the buttons on the control panel. If this function is activated, the keys are automatically locked. To disable or temporarily disable the key lock function, press the buttons in the following order to regain access to menu commands: UP, DOWN, LEFT, RIGHT, ENTER. Select ON to activate or OFF to disable.
- Press the ENTER button to confirm your choice.
- Press the LEFT button repeatedly to exit the menu and save changes.

3.10 IR SETUP

To start up the IR receiver refer to the following steps:

- Press the MENU button so many times until the display shows **[IR Setup]**.
- Press the ENTER button to confirm.
- Press the UP/DOWN button, select one of the programs **[ON]** or **[OFF]**.
- Press the ENTER button for save the setting.

NOTE - Make sure to point the controller directly at the receiver on the product.3.14 WIRELESS SETTING



3.11 LAMP SETTINGS

Reload Default

Select this function to reset the unit to factory settings:

- Press the ENTER button to access the main menu.
- Press the UP/DOWN button to scroll the menu, select the **Set** icon, then press the ENTER button to enter the next menu.
- Press the UP/DOWN button to scroll through the menu, select **Reload Default** and press the ENTER button to enter the next menu.
- Press the UP/DOWN button to select the favourite recovery mode **Basic Reload/Program Reload/Private Reload/All Reload**, then press the ENTER button to confirm.
- Press the UP/DOWN button to select **ON** or **OFF**, then press the ENTER button to confirm.

3.12 FIXTURE INFORMATION

To view all the information on the device, proceed as follows:

- Press the ENTER button to access the main menu.

- Press the UP/DOWN button to scroll the menu, select the icon Information, then press the ENTER button to enter the next menu.
- Press the UP/DOWN button to scroll through the menu, then select one of the following information and press the ENTER button to display it.
 - **Fixture Time** - Through the Time Information function you can display the operating time of the projector.
 - **Version** - Through Software Version function you can display the currently installed software version.
- Press the LEFT button repeatedly to exit the menu.

3.13 OPERATION WITH WIFI

This mode allows you to wirelessly connect more TABLED units, all managed through a unit W-DMX transmitter (sold separately).

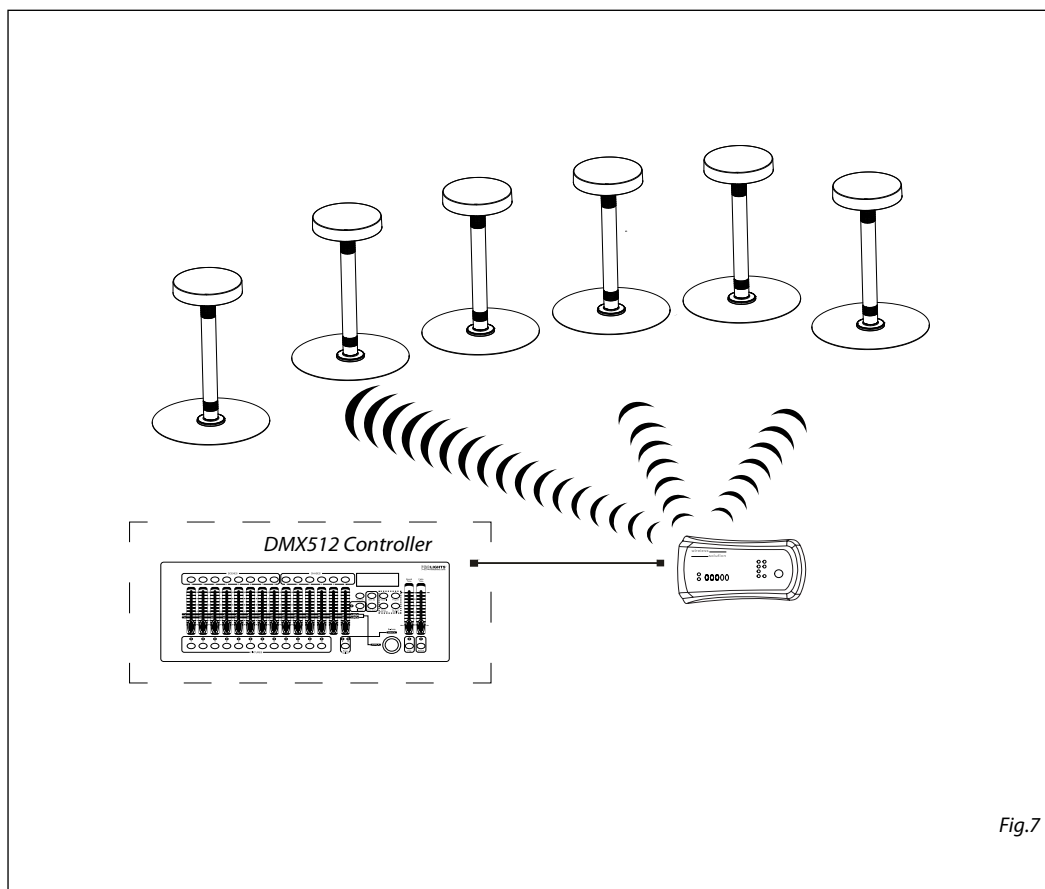


Fig.7

3.14 DMX CHANNELS

BASIC 4 Ch	STD 7 Ch	EXT 10 Ch	TABLED FUNCTION	DMX Value
1	1	1	Red 0~100%	000 - 255
2	2	2	Green 0~100%	000 - 255
3	3	3	Blue 0~100%	000 - 255
4	4	4	White 0~100%	000 - 255
	5	5	Dimmer	000 - 255
	6	6	Strobe Open Strobe slow to fast Open Random slow to fast Open	000 - 015 016 - 115 116 - 135 136 - 235 236 - 255
		7	Color presets No Function R 100% G 0~100% B 0 R 100%~0 G 100% B 0 R 0 G 100% B 0~100% R 0 G 100%~0 B 100% R 0~100% G 0 B 100% R 100% G 0 B 100%~0 R 100% G 0~100% B 0~100% R 100%~0 G 100%~0 B 100% R 100% G 100% B 100% Color 1 Color 2 Color 3 Color 4 Color 5 Color 6 Color 7 Color 8 Color 9 Color 10 Color 11	000 - 010 011 - 030 031 - 050 051 - 070 071 - 090 091 - 110 111 - 130 131 - 150 151 - 170 171 - 200 201 - 205 206 - 210 211 - 215 216 - 220 221 - 225 226 - 230 231 - 235 236 - 240 241 - 245 246 - 250 251 - 255
		8	Effects NO function Effect 1 Effect 2 Effect 3 Effect 4	000 - 051 052 - 102 103 - 153 154 - 204 205 - 255

BASIC 4 Ch	STD 7 Ch	EXT 10 Ch	FUNCTION	DMX Value
		9	Effect speed Slow to speed	000 - 255
	7	10	Dimmer fade Preset dimmer speed from display menu Dimmer snap to fade	000 - 000 001 - 255

ADV 12 Ch	FUNCTION	DMX Value
1	Dimmer 0~100%	000 - 255
2	Strobe Open Strobe slow to fast Open Random slow to fast Open	000 - 015 016 - 115 116 - 135 136 - 235 236 - 255
3	Dimmer Dimmer Snap to fade	000 - 255
4	Red 0~100%	000 - 255
5	Green 0~100%	000 - 255
6	Blue 0~100%	000 - 255
7	White 0~100%	000 - 255
8	Color presets No Function R 100% G 0~100% B 0 R 100%~0 G 100% B 0 R 0 G 100% B 0~100% R 0 G 100%~0 B 100% R 0~100% G 0 B 100% R 100% G 0 B 100%~0 R 100% G 0~100% B 0~100% R 100%~0 G 100%~0 B 100% R 100% G 100% B 100% Color 1 Color 2 Color 3 Color 4 Color 5 Color 6 Color 7	000 - 010 011 - 030 031 - 050 051 - 070 071 - 090 091 - 110 111 - 130 131 - 150 151 - 170 171 - 200 201 - 205 206 - 210 211 - 215 216 - 220 221 - 225 226 - 230 231 - 235

ADV 12 Ch	FUNCTION	DMX Value
8	Color 8 Color 9 Color 10 Color 11	236 - 240 241 - 245 246 - 250 251 - 255
9	Effects NO function Effect 1 Effect 2 Effect 3 Effect 4	000 - 051 052 - 102 103 - 153 154 - 204 205 - 255
10	Effect speed Slow to speed	000 - 255
11	Crossfade 0~100%	000 - 255
12	CTO on colors 0~100%	000 - 255

- 4 - MAINTENANCE

4.1 MAINTENANCE AND CLEANING THE UNIT

- Make sure the area below the installation place is free from unwanted persons during setup.
- Switch off the unit, unplug the main cable and wait until the unit has cooled down.
- All screws used for installing the device and any of its parts should be tightly fastened and should not be corroded.
- Housings, fixations and installation spots (ceiling, trusses, suspensions) should be totally free from any deformation.
- The main cables must be in impeccable condition and should be replaced immediately even when a small problem is detected.
- It is recommended to clean the front at regular intervals, from impurities caused by dust, smoke, or other particles to ensure that the light is radiated at maximum brightness. For cleaning, disconnect the main plug from the socket. Use a soft, clean cloth moistened with a mild detergent. Then carefully wipe the part dry. For cleaning other housing parts use only a soft, clean cloth. Never use a liquid, it might penetrate the unit and cause damage to it.

Battery Guide

New Lithium Battery Initialisation

Any new fixture containing a Lithium battery should be initialised when first purchased to maximise its battery life.

To do this:

1. Fully charge the unit for a minimum of 5 to 6 hours.
 2. Fully discharge, then fully recharge the battery.
 3. Repeat this cycle another 2 times for optimum battery life.
-

Maximizing Battery Performance

1. Lithium batteries perform best when in regular use. Long idle periods will reduce the battery life.
 2. Recharge the battery at the earliest opportunity, leaving batteries discharged for long periods will reduce battery life.
 3. Store units containing Lithium batteries at cool temperatures. High ambient temperatures significantly reduce the life of a Lithium battery.
 4. Disconnect power from the unit when charging is complete.
 5. Do not use fixtures whilst charging.
-

Long term storage

1. Charge your fixture's battery to around 50%. If you store a fixture with a fully discharged battery, it could fall into a deep discharge state. If you store it fully charged, the battery may lose some capacity, leading to shorter battery life.
2. Power down the device to avoid additional battery use.
3. Place your device in a cool, moisture-free environment that's less than 32° C (90° F).

Music & Lights S.r.l. si riserva ogni diritto di elaborazione in qualsiasi forma delle presenti istruzioni per l'uso.
La riproduzione - anche parziale - per propri scopi commerciali è vietata.

Al fine di migliorare la qualità dei prodotti, la Music&Lights S.r.l. si riserva la facoltà di modificare, in qualunque momento e senza preavviso, le specifiche menzionate nel presente manuale di istruzioni.
Tutte le revisioni e gli aggiornamenti sono disponibili nella sezione 'Manuali' sul sito www.musiclights.it

INDICE	Sicurezza	
	Avvertenze generali	4
	Attenzioni e precauzioni per l'installazione	4
	1 Introduzione	
	1.1 Descrizione	5
	1.2 Specifiche tecniche	5
	1.3 Elementi di comando e di collegamento	7
	2 Installazione	
	2.1 Montaggio	8
	3 Funzioni e impostazioni	
	3.1 Funzionamento	9
	3.2 Impostazione base	9
	3.3 Processo di ricarica	9
	3.4 Struttura menu	10
	3.5 Indirizzamento DMX	11
	3.6 Modalità DMX	11
	3.7 Configurazioni canali DMX	12
	3.8 Impostazioni controllo wireless	12
	3.9 Impostazioni display	12
	3.10 Impostazioni IR	13
	3.11 Impostazioni lampada	13
	3.12 Informazioni sul dispositivo	13
	3.13 Funzionamento con WIFI	14
	3.14 Canali DMX	15
	4 Manutenzione	
	4.1 Manutenzione e pulizia del sistema ottico	18




ATTENZIONE! Prima di effettuare qualsiasi operazione con l'unità, leggere con attenzione questo manuale e conservarlo accuratamente per riferimenti futuri. Contiene informazioni importanti riguardo l'installazione, l'uso e la manutenzione dell'unità.



SICUREZZA

Avvertenze generali

- I prodotti a cui questo manuale si riferisce sono conformi alle Direttive della Comunità Europea e pertanto recano la sigla CE.
- Il dispositivo funziona con pericolosa tensione di rete 230V~. Non intervenire mai al suo interno al di fuori delle operazioni descritte nel presente manuale; esiste il pericolo di una scarica elettrica.
- È obbligatorio effettuare il collegamento ad un impianto di alimentazione dotato di un'efficiente messa a terra (apparecchio di Classe I secondo norma EN 60598-1). Si raccomanda, inoltre, di proteggere le linee di alimentazione delle unità dai contatti indiretti e/o cortocircuiti verso massa tramite l'uso di interruttori differenziali opportunamente dimensionati.
- Le operazioni di collegamento alla rete di distribuzione dell'energia elettrica devono essere effettuate da un installatore elettrico qualificato. Verificare che frequenza e tensione della rete corrispondono alla frequenza ed alla tensione per cui l'unità è predisposta, indicate sulla targhetta dei dati elettrici.
- L'unità non per uso domestico, solo per uso professionale.
- Evitare di utilizzare l'unità:
 - in luoghi soggetti a vibrazioni, o a possibili urti;
 - in luoghi soggetti ad eccessiva umidità.
- Evitare che nell'unità penetrino liquidi infiammabili, acqua o oggetti metallici.
- Non smontare e non apportare modifiche all'unità.
- Tutti gli interventi devono essere sempre e solo effettuati da personale tecnico qualificato. Rivolgersi al più vicino centro di assistenza tecnica autorizzato.
- Se si desidera eliminare il dispositivo definitivamente, consegnarlo  per lo smaltimento ad un'istituzione locale per il riciclaggio.

Attenzioni e precauzioni per l'installazione

- Se il dispositivo dovesse trovarsi ad operare in condizioni differenti da quelle descritte nel presente manuale, potrebbero verificarsi dei danni; in tal caso la garanzia verrebbe a decadere. Inoltre, ogni altra operazione potrebbe provocare cortocircuiti, incendi, scosse elettriche, rotture etc.
- Prima di iniziare qualsiasi operazione di manutenzione o pulizia sull'unità togliere la tensione dalla rete di alimentazione.
- È assolutamente necessario proteggere l'unità per mezzo di una fune di sicurezza. Nell'eseguire qualsiasi intervento attenersi scrupolosamente a tutte le normative (in materia di sicurezza) vigenti nel paese di utilizzo.
- Installare l'unità in un luogo ben ventilato.
- Mantenere i materiali infiammabili ad una distanza di sicurezza dall'unità.
- I filtri, le lenti o gli schermi ultravioletti se danneggiati possono limitare la loro efficienza.
- I LED devono essere sostituiti se danneggiati o termicamente deformati.
- Non guardare direttamente il fascio luminoso. Tenete presente che i veloci cambi di luce possono provocare attacchi d'epilessia presso persone fotosensibili o epilettiche.
- Non toccare l'alloggiamento del prodotto quando è in funzione perché potrebbe essere molto caldo.
- Questo prodotto è stato progettato e costruito esclusivamente per l'utilizzo indicato in questa documentazione. Qualsiasi altro utilizzo non espressamente indicato potrebbe pregiudicare la funzionalità del prodotto e/o rappresentare fonte di pericolo.
- Si declina qualsiasi responsabilità derivata dall'uso improprio del prodotto.

- 1 - INTRODUZIONE

1.1 DESCRIZIONE

TABLEDC è un prodotto sviluppato appositamente per l'illuminazione di tavoli e per creare luce d'atmosfera in vari ambienti. Basato su un design semplice e minimale, non è solo un centrotavola elegante ma è anche di facile utilizzo. Controllo manuale tramite telecomando o W-DMX integrato a bordo, può fungere da lampada da tavolo autonoma o essere parte di un più grande design luci.

1.2 SPECIFICHE TECNICHE

SORGENTE LUMINOSA

- Sorgente: 6x3 W + 6x1W RGB + Bianco Neutro
- CT: NW 4.000K
- CRI: 80
- Durata media sorgente: > 50.000 h

OTTICA

- Angolo di proiezione: 360° concepito per illuminare tavoli cerimoniali di d. 160/180 cm

EFFETTI DINAMICI

- Modalità colore statico: riproduzione statica di un colore
- Modalità colore manuale: regolazione manuale di un colore

CORPO

- Hardware a bordo: base magnetica
- Corpo: corpo in alluminio pressofuso ad alta resistenza
- Colore: mirror and white finishing

CONTROLLO

- Protocolli: W-DMX
- Canali DMX: 4 / 7 / 10 / 12 channel
- W-DMX: integrato, ricevitore ad antenna (2.4 GHz) by Wireless Solution Sweden
- Display: display black OLED ad alta risoluzione
- Aggiornamento firmware: sì, con interfaccia USB - DMX (UPBOX1) non inclusa
- IR: controllo remoto tramite IR

ELETTRONICA

- Dimmer: 0 ~ 100% lineare, elettronico
- Curve dimmer: 4 curve dimmer regolabili
- Strobe / shutter: 1 - 30 Hz, elettronico
- Temperatura d'esercizio: -10° ~ +45°

ALIMENTAZIONE

- Alimentazione elettrica: DC 24 V - 1 A
- Potenza assorbita (a 230 V): 8,8W

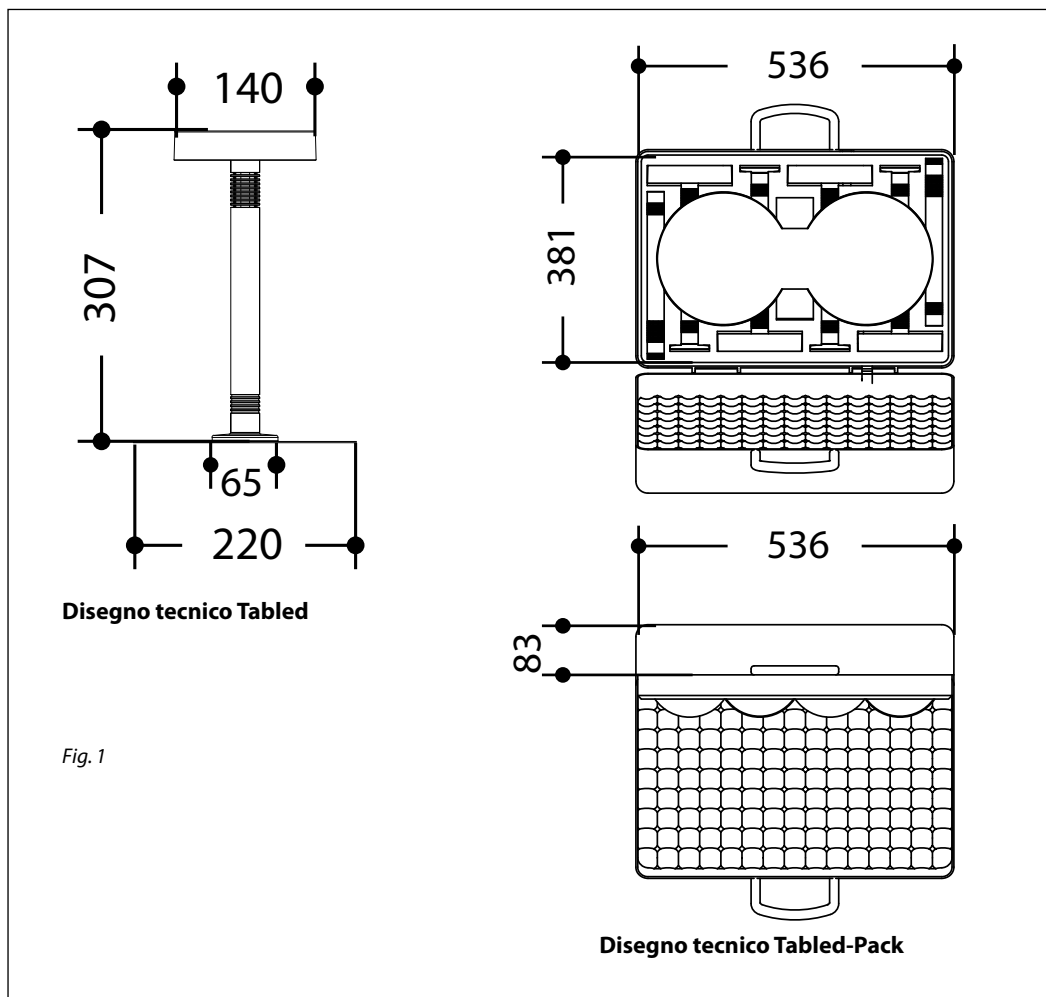
BATTERIA

- Batteria: 2,20 Ah - 14,8V litio
- Autonomia in modalità cambia colori, fino a: 14,5h

- Autonomia in modalità singolo colori, fino a: R: 19h - G: 17,5h - B: 17,5h - W: 17,5h
- Autonomia in modalità full white, fino a: 9h
- Connessione di ricarica: cavo di alimentazione in pelican case
- Tempo di ricarica: 4h/max
- Stato della batteria: indicatore di carica su display

CARATTERISTICHE FISICHE

- Sospensione e fissaggio: base magnetica per il fissaggio su qualsiasi superficie metallica
- Connessione dati: W-DMX receiver
- Grado IP: 30
- Dimensioni (LxAxP): 140x307x220mm
- Peso: 1,18kg



1.3 ELEMENTI DI COMANDO E COLLEGAMENTI

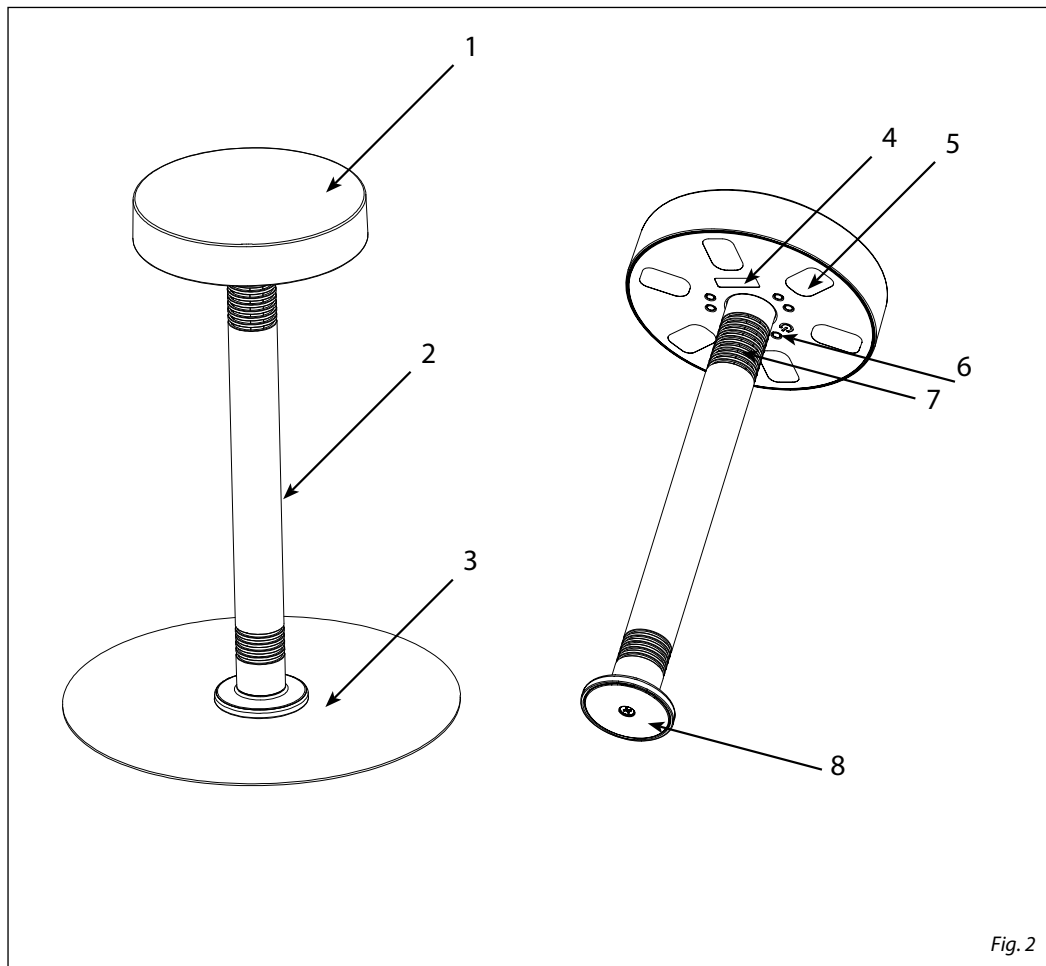


Fig. 2

1. TOP LED & PCB con cover removibile
2. Tubo/prolunga - sistema di giunzione per collegamento di 2 tubi per estendere l'altezza, ed alloggiamento batterie.
3. Piatto in metallo
4. Display OLED e 4 pulsanti per accesso e gestione delle diverse funzioni.
5. LED
6. Interruttore ON/OFF.
7. Ricevitore wireless
8. Base magnetica per il montaggio su superfici metalliche

- 2 - INSTALLAZIONE

2.1 MONTAGGIO

Il TABLED può essere collocato su un piano solido con la possibilità di fissaggio mediante la base magnetica posizionabile su tavola o sotto una tovaglia. Inoltre grazie al sistema di giunzione per collegamento di 2 tubi si può estendere l'altezza.

L'area di collocazione deve avere una stabilità sufficiente e supportare almeno 10 volte il peso dell'unità. Assicurarsi di rispettare tutte le avvertenze in materia di sicurezza.

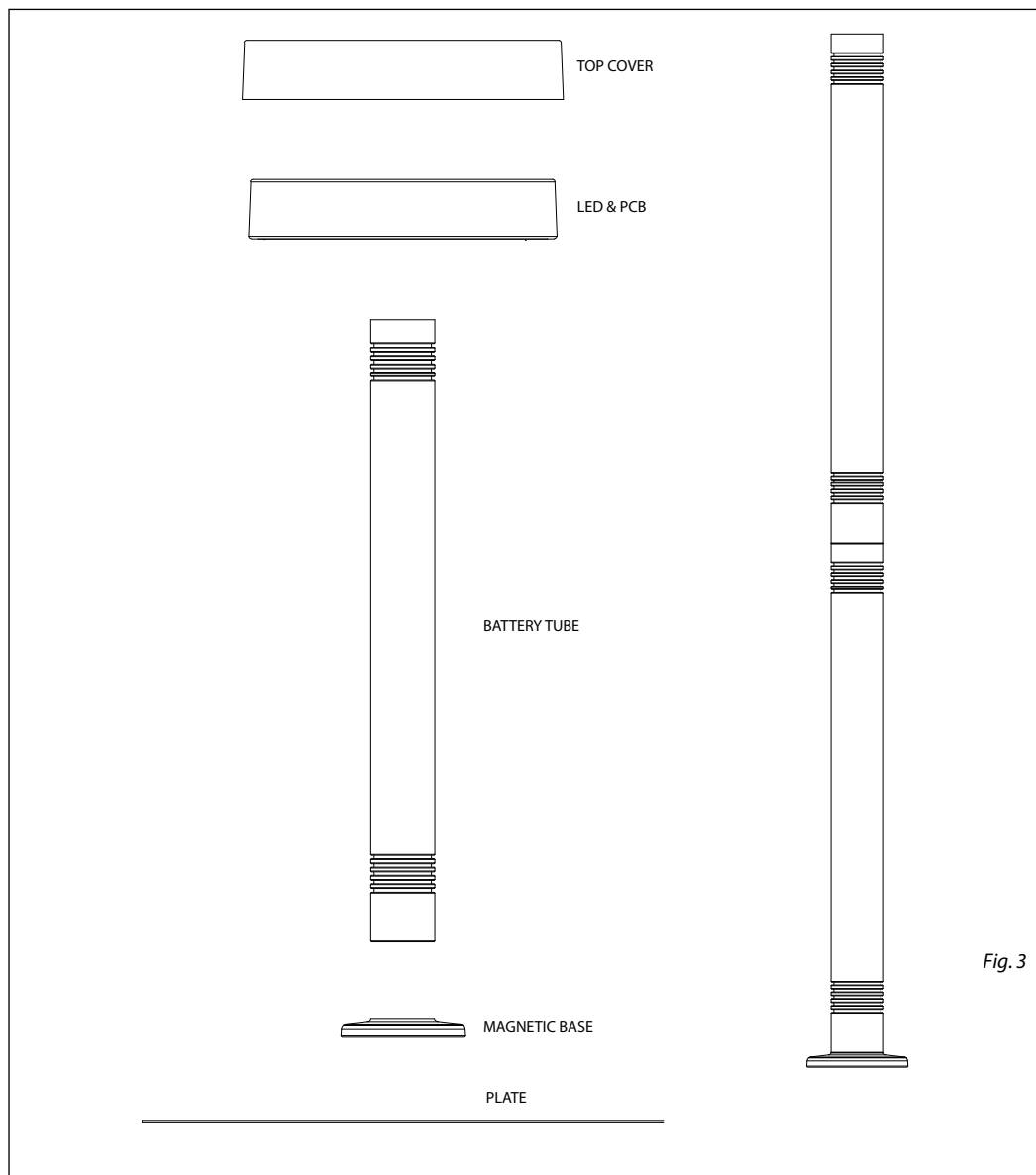


Fig. 3

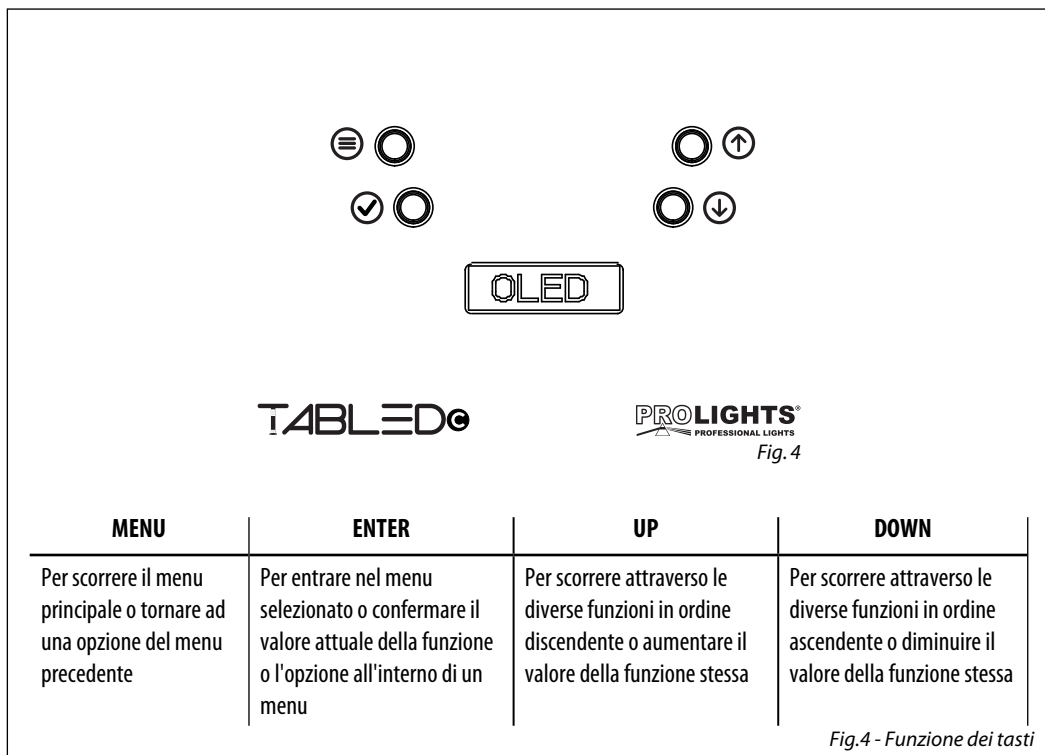
- 3 - FUNZIONI E IMPOSTAZIONI

3.1 FUNZIONAMENTO

Per accendere il TABLED premere l'interruttore ON/OFF. L'unità può essere comandata da un'unità DMX di comando luce oppure svolgere autonomamente il suo programma. Dopo l'uso spegnere l'unità attraverso il medesimo interruttore.

3.2 IMPOSTAZIONE BASE

Il TABLED dispone di un display OLED e 4 pulsanti per accesso alle funzioni del pannello di controllo (fig.4).



3.3 PROCESSO DI RICARICA

Per ricaricare il TABLED:

- connettere l'unità all'apposito caricabatterie mediante l'ingresso presente nella parte inferiore dell'unità TOP
- collegare il caricabatterie ad una presa elettrica per avviare la carica della batteria

NOTA - Autonomia batteria: 14 ore con funzionamento in cambio colore e di 9 ore in full-output, tempo di ricarica: max 4 ore

3.4 STRUTTURA MENU

MENU	
1	<p>CONNECT</p> <p>⇒ DMX Address ⇒ 001 - 512</p> <hr/> <p>⇒ DMX mode ⇒ BASIC 4 Ch STANDARD 7 Ch EXTENDED 10 Ch ADVANCED 12 Ch</p> <hr/> <p>⇒ Wireless ⇒ Receive On/Off ⇒ On Off</p> <p>Receive connect ⇒ No Yes</p> <hr/> <p>⇒ IR Setting ⇒ On Off</p>
2	<p>SETUP</p> <p>⇒ Screen ⇒ Backlight ⇒ On 10s 20s 30s</p> <p>⇒ Key lock ⇒ No Yes</p>
3	<p>ADVANCED</p> <p>⇒ Dimmer mode ⇒ Off Dimmer 1 Dimmer 2 Dimmer 3</p> <hr/> <p>⇒ White Balance ⇒ Adjust Off</p> <hr/> <p>⇒ Adjust ⇒ Red ⇒ 000 - 255 Green ⇒ 000 - 255 Blue ⇒ 000 - 255</p> <hr/> <p>⇒ Factory Reload ⇒ No Yes</p>
4	<p>INFORMATIOJN</p> <p>⇒ Fixture time ⇒ 9999 H Version ⇒ V 1.0</p>
5	<p>STAND ALONE</p> <p>⇒ Sequence ⇒ Show 1 Show 2 ⇒ speed (1-100) Show 3 Show 4</p>

⇒ Static	⇒ Preset	⇒ R	
		G	
		B	
		RG	
		RB	
		GB	
		RGB	
		W	
	⇒ Manual Color	⇒ R	⇒ 000 - 255
		G	⇒ 000 - 255
		B	⇒ 000 - 255
		W	⇒ 000 - 255

3.5 INDIRIZZAMENTO DMX

Per poter comandare il TABLED con una console DMX, occorre impostare l'indirizzo di start DMX per il primo canale DMX. Per impostare l'indirizzo di start far riferimento alla seguente procedura:

- Premere il tasto MENU fino a quando sul display non appare **[DMX Address]** quindi premere ENTER per confermare.
- Usare i tasti UP/DOWN per selezionare il valore **[d 1-512]** quindi premere ENTER per confermare.

Se, per esempio, sull'unità di comando è previsto l'indirizzo 33 per comandare la funzione del primo canale DMX, si deve impostare sullo TABLED l'indirizzo di start 33. Le altre funzioni del pannello saranno assegnate automaticamente agli indirizzi successivi. A pagina seguente un esempio con indirizzo 33 di start:

Numero canali DMX	Indirizzo di start (esempio)	Indirizzo DMX occupati	Prossimo indirizzo di start possibile per unità n°1	Prossimo indirizzo di start possibile per unità n°2	Prossimo indirizzo di start possibile per unità n°3
4	33	33-36	37	41	45
7	33	33-39	40	47	51
10	33	33-42	43	53	63
12	33	33-34	45	55	67

Esempio di configurazione a 4 canali DMX

3.6 MODALITÀ DMX

Per entrare nella modalità DMX procedere nel seguente modo:

- Premere il tasto ENTER per accedere al menu principale.
- Premere il tasto UP/DOWN per scorrere nel menu, selezionare **Connect**, quindi premere il tasto ENTER per accedere al menu successivo **Address**.
- Premere il tasto ENTER e selezionare **DMX** con il tasto UP/DOWN, quindi confermare la scelta con il tasto ENTER.
- Impostare con i tasti direzionali il valore desiderato (**001-512**). Premere il tasto ENTER per confermare.
- Premere il tasto LEFT più volte per uscire dal menu e per salvare le modifiche apportate.

3.7 CONFIGURAZIONI CANALI DMX

TABLED dispone di 5 configurazioni dei canali DMX a cui si può accedere dal pannello di controllo.

- Premere il tasto ENTER per accedere al menu principale.
- Premere il tasto UP/DOWN per scorrere nel menu, selezionare **Connect**, quindi premere il tasto ENTER per accedere al menu successivo **DMX Mode**.
- Premere il tasto ENTER e selezionare **Mode** con il tasto UP/DOWN, quindi confermare la scelta con il tasto ENTER.
- Attraverso il tasto UP/DOWN selezionare la configurazione dei canali DMX desiderata (**basic, standard, extended**), quindi premere il tasto ENTER per confermare la scelta.
- Premere il tasto LEFT più volte per uscire dal menu e per salvare le modifiche apportate.

3.8 IMPOSTAZIONE CONTROLLO WIRELESS

Per abilitare la modalità di controllo wireless procedere nel seguente modo:

- Premere il tasto ENTER per accedere al menu principale.
- Premere il tasto UP/DOWN per scorrere nel menu, selezionare **Connect**, quindi premere il tasto ENTER per accedere al menu successivo.
- Premere il tasto UP/DOWN per selezionare **Wireless** e premere il tasto ENTER.
- Premere i tasti direzionali per selezionare il valore desiderato (**001-512**).
- Premere il tasto ENTER per confermare l'impostazione.

Per modificare le impostazioni di controllo wireless procedere nel seguente modo:

- Premere il tasto ENTER per accedere al menu principale.
- Premere il tasto UP/DOWN per scorrere nel menu, selezionare **Set**, quindi premere il tasto ENTER per accedere al menu successivo.
- Premere il tasto UP/DOWN per selezionare **Wireless Set** e premere il tasto ENTER per procedere.
- Selezionare l'opzione proposta con il tasto UP/DOWN e premere il tasto ENTER per confermare la scelta.
 1. **Receive** - Disabilita/abilita il segnale DMX via cavo. Selezionare **OFF** per disattivare la funzione oppure **ON** per attivare la funzione.
 2. **Reset Connect** - Reset della connessione wireless dell'unità. Selezionare **OFF** per disattivare la funzione oppure **ON** per attivare la funzione.
- Premere il tasto ENTER per confermare la scelta.
- Premere il tasto LEFT più volte per uscire dal menu e per salvare le modifiche apportate.

3.9 IMPOSTAZIONI DISPLAY

È possibile modificare i seguenti parametri, relativi al display, seguendo la medesima procedura:

- Premere il tasto ENTER per accedere al menu principale.
- Premere il tasto UP/DOWN per scorrere nel menu, selezionare **Set Up**, quindi premere il tasto ENTER per accedere al menu successivo.
- Premere il tasto UP/DOWN per selezionare **UI Set** e premere il tasto ENTER per procedere.
- Premere il tasto UP/DOWN per selezionare una delle seguenti impostazioni relative al display e premere il tasto ENTER per visualizzarla.
 - **Backlight** - Retroilluminazione display Auto Off. Questa funzione permette di spegnere automaticamente la retroilluminazione del display dopo un determinato tempo che può essere impostato tramite i tasti direzionali. Per avere il display sempre acceso seleziona **On** oppure impostare un valore di On - 10s - 20s - 30s per far spegnere il display una volta trascorso il tempo scelto, dopo l'uscita dal menu.
 - **Key lock** - Blocco tasti. Con questa funzione è possibile bloccare i tasti del pannello di controllo, per evitare, ad esempio, manomissioni delle impostazioni. Se questa funzione viene attivata, i tasti vengono bloccati automaticamente. Per disattivare o temporaneamente o disattivare la funzione

di blocco tasti, premere i tasti nel seguente ordine per riottenere l'accesso ai comandi di menu: SU, GIÙ, SINISTRA, DESTRA, ENTER. Selezionare ON per attivare la funzione oppure OFF per disattivarla.

- Premere il tasto ENTER per confermare la scelta.
- Premere il tasto LEFT più volte per uscire dal menu e per salvare le modifiche apportate.

3.10 IMPOSTAZIONI IR

Per l'accensione del ricevitore ad infrarossi far riferimento alla seguente procedura:

- Premere il tasto MENU fino a quando sul display non appare [IR Setting].
- Premere il tasto ENTER per confermare la scelta.
- Usare i tasti UP/DOWN per selezionare il valore [ON] oppure [OFF].
- Premere il tasto ENTER per salvare l'impostazione.

NOTA - Assicurarsi di puntare il telecomando direttamente verso il ricevitore dell'unità.

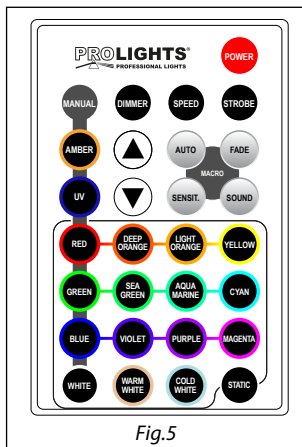


Fig.5

3.11 IMPOSTAZIONI LAMPADA

Reload Default

Selezionare questa funzione per ripristinare l'unità alle impostazioni di fabbrica:

- Premere il tasto ENTER per accedere al menu principale.
- Premere il tasto UP/DOWN per scorrere nel menu, selezionare l'icona **Advanced**, quindi premere il tasto ENTER per accedere al menu successivo.
- Premere il tasto UP/DOWN per selezionare **Factory Reload** e premere il tasto ENTER per procedere.
- Premere i tasti UP/DOWN per selezionare **NO** oppure **YES**, quindi premere il tasto ENTER per confermare

3.12 INFORMAZIONI SUL DISPOSITIVO

Per visualizzare tutte le informazioni sul dispositivo procedere nel seguente modo:

- Premere il tasto ENTER per accedere al menu principale.
- Premere il tasto UP/DOWN per selezionare l'icona **Information**, quindi premere il tasto ENTER per accedere al menu successivo.
- Premere il tasto UP/DOWN per scorrere nel menu, quindi selezionare una delle seguenti informazioni e premere il tasto ENTER per visualizzarla.
 - **Fixture Time** - Attraverso la funzione **Fixture Time** è possibile visualizzare sul display il tempo di funzionamento del proiettore.
 - **Version** - Attraverso la funzione **Software Version** è possibile visualizzare sul display la versione del software installata.
- Premere il tasto LEFT più volte per uscire dal menu.

3.13 FUNZIONAMENTO CON WIFI

Questa modalità consente di collegare in modalità wireless più unità TABLED, tutte gestite attraverso un'unità W-DMX (acquistabile separatamente).

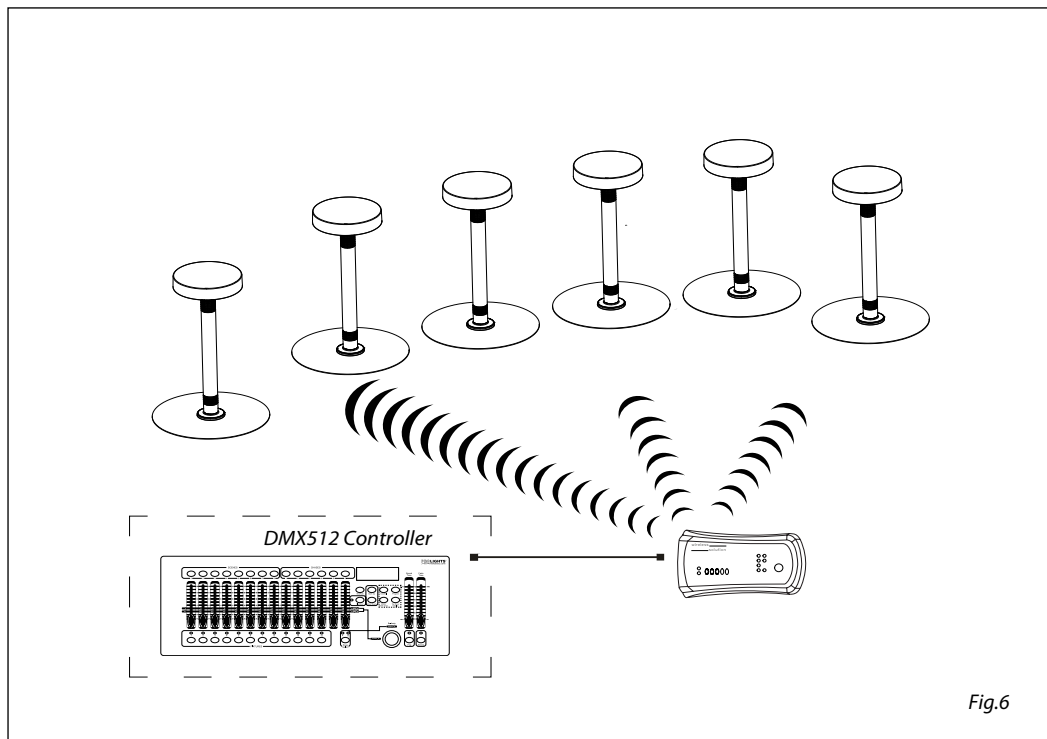


Fig.6

3.14 CANALI DMX

BASIC 4 Ch	STD 7 Ch	EXT 10 Ch	FUNCTION	DMX Value
1	1	1	Red 0~100%	000 - 255
2	2	2	Green 0~100%	000 - 255
3	3	3	Blue 0~100%	000 - 255
4	4	4	White 0~100%	000 - 255
	5	5	Dimmer	000 - 255
	6	6	Strobe Open Strobe slow to fast Open Random slow to fast Open	000 - 015 016 - 115 116 - 135 136 - 235 236 - 255
		7	Color presets No Function R 100% G 0~100% B 0 R 100%~0 G 100% B 0 R 0 G 100% B 0~100% R 0 G 100%~0 B 100% R 0~100% G 0 B 100% R 100% G 0 B 100%~0 R 100% G 0~100% B 0~100% R 100%~0 G 100%~0 B 100% R 100% G 100% B 100% Color 1 Color 2 Color 3 Color 4 Color 5 Color 6 Color 7 Color 8 Color 9 Color 10 Color 11	000 - 010 011 - 030 031 - 050 051 - 070 071 - 090 091 - 110 111 - 130 131 - 150 151 - 170 171 - 200 201 - 205 206 - 210 211 - 215 216 - 220 221 - 225 226 - 230 231 - 235 236 - 240 241 - 245 246 - 250 251 - 255
		8	Effects NO function Effect 1 Effect 2 Effect 3 Effect 4	000 - 051 052 - 102 103 - 153 154 - 204 205 - 255

BASIC 4 Ch	STD 7 Ch	EXT 10 Ch	FUNCTION	DMX Value
		9	Effect speed Slow to speed	000 - 255
	7	10	Dimmer fade Preset dimmer speed from display menu Dimmer snap to fade	000 - 000 001 - 255

ADV 12 Ch	FUNCTION	DMX Value
1	Dimmer 0~100%	000 - 255
2	Strobe Open Strobe slow to fast Open Random slow to fast Open	000 - 015 016 - 115 116 - 135 136 - 235 236 - 255
3	Dimmer Dimmer Snap to fade	000 - 255
4	Red 0~100%	000 - 255
5	Green 0~100%	000 - 255
6	Blue 0~100%	000 - 255
7	White 0~100%	000 - 255
8	Color presets No Function R 100% G 0~100% B 0 R 100%~0 G 100% B 0 R 0 G 100% B 0~100% R 0 G 100%~0 B 100% R 0~100% G 0 B 100% R 100% G 0 B 100%~0 R 100% G 0~100% B 0~100% R 100%~0 G 100%~0 B 100% R 100% G 100% B 100% Color 1 Color 2 Color 3 Color 4 Color 5 Color 6 Color 7	000 - 010 011 - 030 031 - 050 051 - 070 071 - 090 091 - 110 111 - 130 131 - 150 151 - 170 171 - 200 201 - 205 206 - 210 211 - 215 216 - 220 221 - 225 226 - 230 231 - 235

ADV 12 Ch	FUNCTION	DMX Value
8	Color 8 Color 9 Color 10 Color 11	236 - 240 241 - 245 246 - 250 251 - 255
9	Effects NO function Effect 1 Effect 2 Effect 3 Effect 4	000 - 051 052 - 102 103 - 153 154 - 204 205 - 255
10	Effect speed Slow to speed	000 - 255
11	Crossfade 0~100%	000 - 255
12	CTO on colors 0~100%	000 - 255

- 4 - MANUTENZIONE

4.1 MANUTENZIONE E PULIZIA DEL SISTEMA OTTICO

- Durante gli interventi, assicurarsi che l'area sotto il luogo di installazione sia libera da personale non qualificato.
- Spegnerne l'unità, scollegare il cavo di alimentazione ed aspettare finché l'unità non si sia raffreddata.
- Tutte le viti utilizzate per l'installazione dell'unità e le sue parti devono essere assicurate saldamente e non devono essere corrose.
- Alloggiamenti, elementi di fissaggio e di installazione (soffitto, truss, sospensioni) devono essere totalmente esenti da qualsiasi deformazione.
- I cavi di alimentazione devono essere in condizione impeccabile e devono essere sostituiti immediatamente nel momento in cui anche un piccolo problema viene rilevato.
- Si dovrebbe procedere, ad intervalli regolari, alla pulizia della parte frontale per asportare polvere, fumo e altre particelle. Solo così, la luce può essere irradiata con la luminosità massima. Per la pulizia usare un panno morbido, pulito e un detergente per vetri come si trovano in commercio. Quindi asciugare le parti delicatamente.

Guida all'uso della batteria

Inizializzazione di una nuova batteria

Ogni nuovo faro contenente una batteria al litio, dovrebbe essere inizializzata al primo utilizzo per massimizzarne l'efficienza.

Per fare questo:

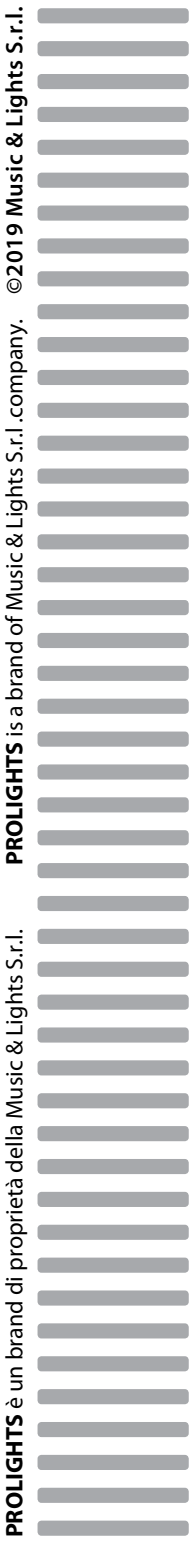
1. Caricare completamente l'unità per un minimo di 5-6 ore.
 2. Scaricare completamente, quindi ricaricare completamente la batteria
 3. Ripetere questo ciclo altre 2 volte per ottenere una durata ottimale della batteria.
-

Ottimizza le prestazioni della batteria

1. Le batterie al litio funzionano in modo ottimale quando vengono utilizzate regolarmente. Lunghi periodi con batteria al minimo riducono la durata della batteria.
 2. Ricaricare la batteria appena possibile, lasciare le batterie scariche per lunghi periodi, riduce la durata della batteria.
 3. Conservare le unità contenenti batterie al litio a temperature fredde. Una temperatura ambientale troppo alta riduce notevolmente la durata di una batteria al litio.
 4. Scollegare l'alimentazione dall'unità quando la ricarica è completa.
 5. Non utilizzare durante il caricamento.
-

Se non lo usi per molto tempo

1. Carica la batteria circa al 50%. Un dispositivo con la batteria completamente scarica, potrebbe esaurirsi al punto da rendere impossibile una nuova ricarica. Se invece il dispositivo resta inattivo per un lungo periodo con la carica al 100%, la capacità della batteria potrebbe deteriorarsi e la sua autonomia potrebbe risentirne.
2. Spegni il dispositivo, in modo da impedire che la batteria continui a essere utilizzata.
3. Riponi il dispositivo in un luogo fresco e asciutto, a una temperatura inferiore ai 32 °C.



PROLIGHTS è un brand di proprietà della Music & Lights S.r.l.

PROLIGHTS is a brand of Music & Lights S.r.l. company.

©2019 Music & Lights S.r.l.