

Premanaged Gigabit Ethernet Switch

XES-2T6

Layer 2 1000BASE-T (IEEE 802.3ab) Ethernet switch, optimized for Art-Net, sACN and Dante with two aggregated trunk ports and IEEE 802.1Q VLAN support.

- Optimized for Art-Net, sACN and Dante
- Two aggregated trunk ports
- Groups (IEEE 802.1Q VLANs)
- Four queue DiffServ (differentiated services) for optimal quality of service (QoS) with the Dante protocol
- No broadcast bandwidth limitation
- Two universal power supplies (redundant PSU)
- Neutrik powerCON inputs and outputs for primary and backup power supply unit
- Neutrik etherCON sockets for network connection
- Rack mountable, 1 height unit



The XES-2T6 is a six plus two port Gigabit Ethernet switch with two ports being aggregated to a high throughput, redundant trunk link. The six other ports are individually assignable to groups (IEEE 802.1Q VLANs) that may participate in completely independent networks that do not interfere with each other. Thanks to the graphic OLED display, the encoder knob and a push button for each of the six configurable ports, the switch is intuitive to setup and the configuration is done in next to no time.

The grouping and the redundant fast backbone link make the XES-2T6 an ideal solution for interconnecting the stage with the FOH for instance.

As a layer 2 switch, the XES-2T6 is generally unaware of the application and therefore it works well with any protocol that operates on top of TCP/IP and with many Ethernet¹ based protocols. However, special precautions have been taken to ensure that the XES-2T6 works perfectly with Art-Net, sACN and Dante. The Art-Net specification for example expects the controller to only send data every few seconds or when an update is available.

A typical switch might put itself into sleep mode when no traffic is observed, not so the XES-2T6; it stays ready to forward data any-time without delay.

With the increased acceptance of TCP/IP and Ethernet based protocols, the proper operation of the network and its components has become critical for many shows. Therefore, it is crucial to professionally plan, configure and install the network for any show or venue. As a measure to further lower the chances of network outages, the XES-2T6 comes equipped with two separate switch mode PSUs that can be powered from two different mains supplies.

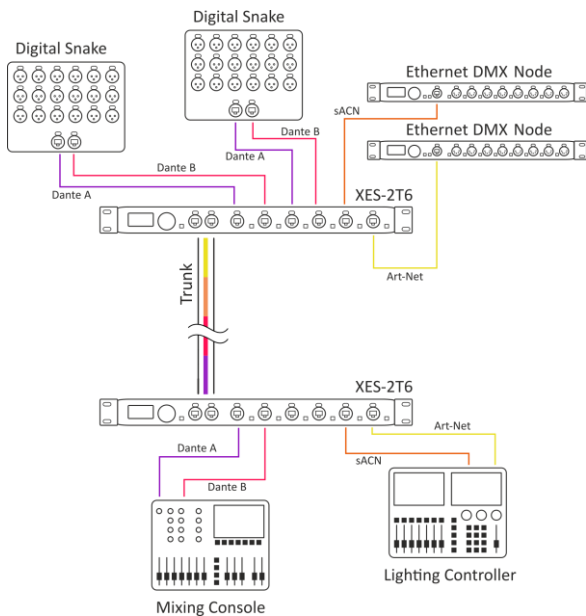
Fields of Application

- Architectural lighting
- Convention centers
- Churches
- Schools
- Theme parks
- Theaters, operas
- Festivals, tours and multimedia shows

Applications

- Reliably connect the stage to the FOH
- Extend a network (add network participants)
- Build star topologies
- Increase the reachable distance of a network (use as a “repeater”)

Typical Application



Backup Power Supply

The XES-2T6 has two separate powerCON inputs and two separate powerCON outputs on its rear; each input is connected to an independent PSU. In normal operation, the XES-2T6 will be powered from the primary PSU. When the primary PSU fails, the backup PSU automatically takes over.



Ordering Information

XES-2T6 10 42 20
Premanaged Gigabit Ethernet switch

Specification

Weightca. 1700 g /
3.75 lb.

Ambient temperature.....-30 – 55°C /
-22 – 131°F

Typical power consumptionca. 10 W
AC power input100-240 V AC

Ethernet (all ports).....1000BASE-T
(IEEE 802.3ab)
and 100BASE-TX/10BASE-T,
auto negotiating, auto MDI-X

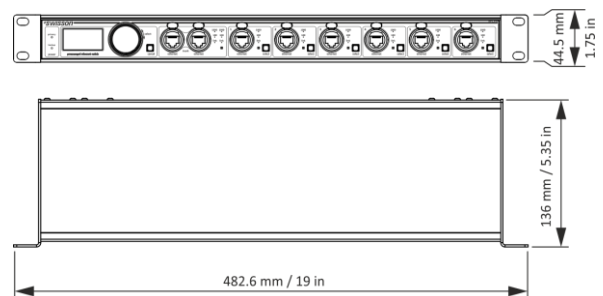
Ethernet ports6 + 2

Ethernet switch type.....Layer 2 Ethernet switch

Address look-up engine4000 entries

Art-Net / sACN capacity>1000 simultaneous universes²⁾

Dante capacity.....Up to 128 channels per direction at 48 kHz²⁾



¹⁾ As a layer 2 switch, the XES-2T6 works with all protocols that operate on top of the Ethernet protocol. However, there are some protocols which are based on the lower layers of Ethernet but are not fully Ethernet compliant. Such protocols may not work with Ethernet switches. Examples of such protocols are: AES50, SuperMAC, HyperMAC and Aviom A-Net.

²⁾ Estimate, assuming that the full bandwidth is available to this application.

