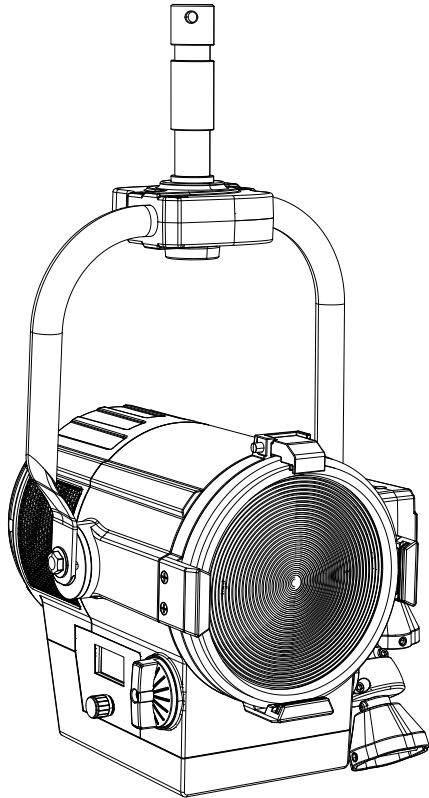


ECLFRJPTU-DY

POLE OPERATED FRESNEL PROJECTOR



USER MANUAL
MANUALE UTENTE

All rights reserved by Music & Lights S.r.l. No part of this instruction manual may be reproduced in any form or by any means for any commercial use.

In order to improve the quality of products, Music&Lights S.r.l. reserves the right to modify the characteristics stated in this instruction manual at any time and without prior notice.
All revisions and updates are available in the 'manuals' section on site www.musiclights.it

TABLE OF CONTENTS**Safety**

Symbols	2
General instructions	3
Approvals	3
Fire prevention	3
Electric shock prevention	3
Photobiological safety	4
Warnings	4
Waste Electrical and Electronic Equipment Directive (WEEE)	4

1 Introduction

1.1 Description	5
1.2 Technical specifications	7
1.3 Operating elements and connections	7
1.4 ECLFRSJB4	8

2 Installation

2.1 Mounting	10
--------------------	----

3 Functions and settings

3.1 Operation	11
3.2 Basic	11
3.3 Menu structure	12
3.4 DMX mode	13
3.5 DMX configuration	13
3.6 Screen	13
3.7 Dimmer mode	14
3.8 Led frequency	14
3.9 Fans mode	14
3.10 Factory Reload	14
3.11 Fixture Information	14
3.12 Master/Slave	15
3.13 Effects	15
3.14 Static	15
3.15 Connection of the DMX line	16
3.16 Construction of the DMX termination	16
3.17 Channels DMX	17

4 Maintenance

4.1 Maintenance and cleaning the unit	18
4.2 Fuse replacement	18
4.3 Trouble shooting	19

Packing content

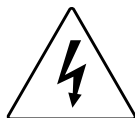
- ECLFRJPTU-DY
- ECLIPSEFRSJB4
- ECLFRSPG
- Power cable
- User manual



WARNING! Before carrying out any operations with the unit, carefully read this instruction manual and keep it with care for future reference. It contains important information about the installation, usage and maintenance of the unit.



SYMBOLS



ELECTRIC SHOCK RISK



READ THE USER MANUAL



GENERAL RISK / ATTENTION



DO NOT STARE AT THE OPERATING LIGHT SOURCE



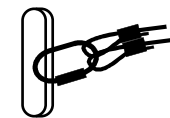
WASTE ELECTRICAL & ELECTRONIC EQUIPMENT

T_a 45°C

MAX OPERATING AMBIENT TEMPERATURE



INDOOR USE



FIXING POINT FOR SAFETY CABLE



EUROPEAN UNION CONFORMITY

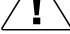



WARNING! Before carrying out any operations with the unit, carefully read this instruction manual and keep it with care for future reference. It contains important information about the installation, usage and maintenance of the unit.




SAFETY

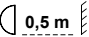
General instruction

- This unit is not for home use, only professional applications. 
- The connection to the main network of electric distribution must be carried out by a qualified electrical installer.
- Before starting any maintenance work or cleaning the projector, cut off power from the main supply.
- Connection must be made to a power supply system fitted with efficient earthing (Class I appliance according to standard EN 60598-1). It is, moreover, recommended to protect the supply lines of the units from indirect contact and/or shorting to earth by using appropriately sized residual current devices.
- Do not modify the unit in any way not described in this manual or install parts other than the original Music & Lights parts. Do not apply filters, lenses or other materials on lenses or other optical components. Use only accessories approved by Music & Lights.
- If this device will be operated in any way different to the one described in this manual, it may suffer damage and the guarantee becomes void.
- We decline any liability deriving from improper use of the product. 

Approvals

- The products referred to in this manual conform to the European Community Directives LVD (Low Voltage Directive) 2014/35 / EC, EMC (Electromagnetic Compatibility Directive) 2014/30 / EU, RoHS (Restriction of Hazardous Substances Directive) 2011/65 / CE and are therefore marked with CE . 

Fire prevention

- The minimum distance between the projector and the surrounding walls and flammable materials must be greater than 50 cm and the ventilation openings must in no case be blocked. 
- Replace a defective, blown or damaged fuse only with one of the same type. To replace the fuse, refer to the "Maintenance" paragraph.
- Do not use the unit if the ambient temperature exceeds 45 ° C (122 ° F). $T_a 45^\circ\text{C}$
- The surface of the appliance can reach up to 50 ° C (158 ° F) during operation. Avoid contact with people and materials.
- Make sure there is a free and unobstructed air flow around the appliance.

Electric shock prevention




- The unit is supplied with hazardous network voltage (230V~). Leave servicing to skilled personnel only. Never make any modifications on the unit not described in this instruction manual, otherwise you will risk an electric shock.
- Disconnect power to the unit when not in use.
- Install the fixture in a well ventilated place.
- Refer to any service operation not described in this manual to Music & Lights technical support.
- Isolate the unit immediately from the power supply if any gaskets, covers, cables or other components are damaged, defective, deformed or showing signs of overheating. Do not reapply power until repairs are complete. Before using the unit, check that all components and power distribution cables are in perfect condition. Check that the frequency and voltage of the network correspond to the frequency and voltage for which the unit is set up, indicated on the electrical data plate.



WARNING! Before carrying out any operations with the unit, carefully read this instruction manual and keep it with care for future reference. It contains important information about the installation, usage and maintenance of the unit.



Photobiological safety

- This device is a product identified in risk group 2 according to EN 62471. 
- Emits potentially dangerous optical radiation. It falls into the categories of the risk group according to EN 62471.
- Do not look directly at the LED source during operation. It can be harmful to the eyes.

Warnings



- This device is rated IP20. It is not suitable for use in humid places. Never use the fixture in places subject to vibrations or bumps.
- Make certain that no inflammable liquids, water or metal objects enter the fixture.

Waste Electrical and Electronic Equipment Directive (WEEE)



- The unit, accessories and packaging should be sorted for environmental-friendly recycling.
- For EC countries: according to the European Directive 2012/19/EC for Waste Electrical and Electronic Equipment and its implementation into national right, luminaires that are no longer usable must be collected separately and disposed of in an environmentally correct manner.

- 1 - INTRODUCTION

1.1 DESCRIPTION

ECLIPSEFRESNELJ is the LED replacement for a standard tungsten 650 W Fresnel. Featuring the output characteristics of the traditional Fresnel, with beam control from functional barn doors and a powerful source that focuses on outstanding colour rendering. The ECLIPSEFRESNELJ adds all the advantages of LED to the Fresnel.

1.2 TECHNICAL SPECIFICATIO

LIGHT SOURCE

- Source:(TU) 69 W (DY) 74 W high-power white LED
- CCT:(TU) 3.100 K - (DY) 5.600 K
- CRI:(TU) 97 - (DY) 90
- R9:(TU) 97 - (DY) 54
- Luminous flux:(TU) (15°) 3'018 lm (51°) 4'549 lm - (DY) (15°) 3'847 lm (51°) 5'903 lm
- Lux:TU (15°) 3'630 lx - (51°) 775 lx @3 m
- Lux:DY (15°) 4'770 lx - (51°) 772 lx @3 m
- Source life expectancy: > 50.000 h

OPTICS

- Zoom:15° - 51° manual
- Field angle:26,7° - 75,6°
- Lens diameter:6" - 150 mm
- Lens type:fresnel zoom lens

DYNAMIC EFFECTS

- Static colour mode: selection of static colour
- Manual colour mode: manual adjust of dimmer through menu and knob
- Auto mode: built-in programs with execution speed adjustment

BODY

- Hardware on-board:included filter frame, 8 doors barndoor, omega bracket spigot
- Pan angle:360° with manual regulation
- Tilt angle:340° with manual regulation
- Body: sturdy die-cast aluminium body conceived for long-time durability
- Body colour: black

CONTROL

- Protocols: DMX512, RDM, local knob
- DMX channels:1 / 2 - 1 / 2 - 2 / 3 / 5 channel
- RDM: RDM ready for fixture remote monitor and settings
- Display: black OLED high resolution display
- Firmware upgrade: yes, via USB - DMX interface (UPBOX1) not included
- Other: 16bit control of dimmer and colour

ELECTRONICS

- Dimmer: linear 0 ~ 100% electronic dimmer

- Dimmer curves: 4 different dimming curves available
- Strobe / shutter: 0 ~ 30 Hz, electronic
- Operating temperature: $-10^{\circ} \sim +45^{\circ}$
- Flicker: flicker free frequency with adjustable PWM
- Selectable PWM: 600 ~ 25.000 Hz

ELECTRICAL

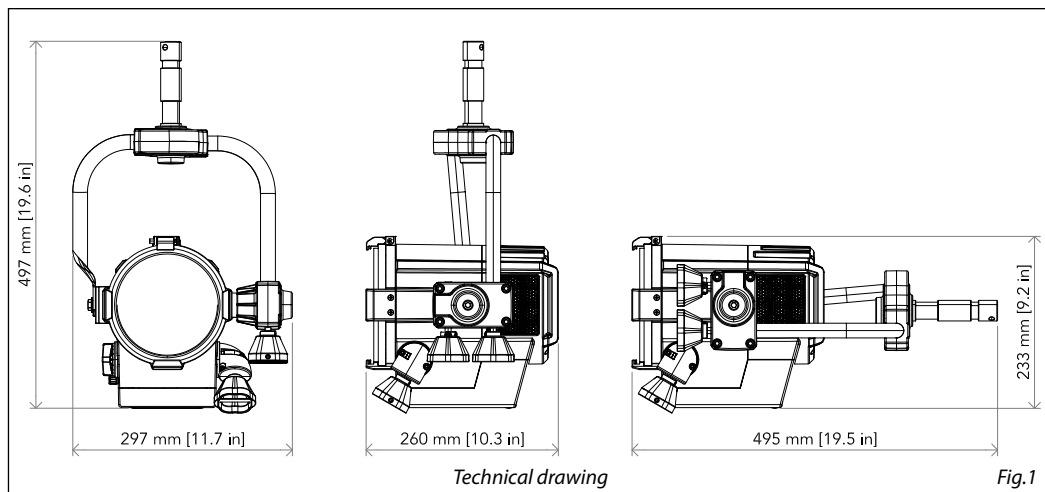
- Power supply: 100-240 V – 50/60 Hz
- Power consumption (at 230 V): 82,7 W
- Power consumption (at 120 V): 83,3 W
- Output (at 230 V): 30 units on a single power line
- Output (at 120 V): 16 units on a single power line

BATTERY

- Battery: 29,6 V 4400 mAh (optional) external battery
- Re-charge connection: XLR 4p

PHYSICAL

- Cooling: forced air with low noise fan
- Suspension and fixing: hanging bracket suitable for safe hanging and positioning
- Signal connection: Amphenol XLR 5p IN/OUT connectors
- Power connection: Neutrik powerCON TRUE1 IN/OUT connectors
- IP rating: 20
- Dimensions (WxHxD): 297x497x260 mm
- Weight: 6 kg



1.3 OPERATING ELEMENTS AND CONNECTIONS

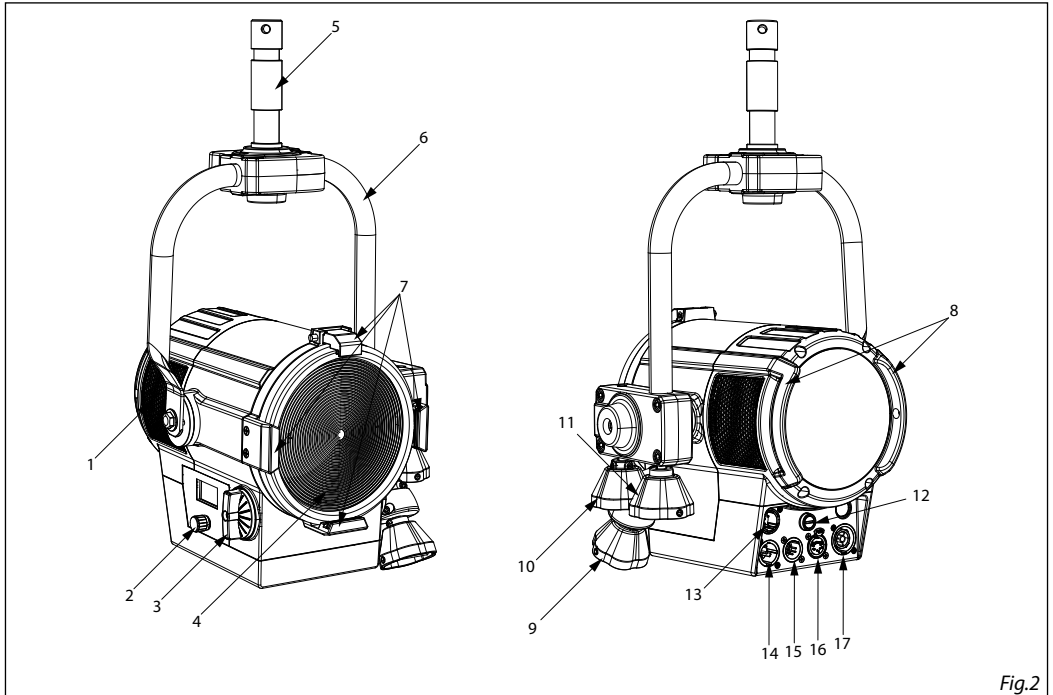


Fig.2

1. VENTILATION GRID for air flow outlet not to be obstructed.
2. CONTROL PANEL with display and a knob used to access the control panel functions and manage them.
3. ZOOM ADJUSTMENT AND FOCUS knob to zoom the projected image clearly.
4. LENS
5. SPIGOT
6. POLE OPERATED BRACKET
7. GUIDE for locking and releasing accessories.
8. HANDLE
9. YELLOW POLE OPERATOR: Zoom pole operator.
10. WHITE POLE OPERATOR: Tilt pole operator.
11. BLUE POLE OPERATOR: Pan pole operator.
12. MAIN FUSE HOLDER: replace a burnt-out fuse by one of the same type only
13. BATTERY 4pin-in.
14. POWER IN (PowerCON IN): for connection to a socket (100-240V~/50-60Hz) via the supplied mains cable.
15. DMX IN (5-pole XLR): 1 = ground, 2 = DMX-, 3 = DMX+, 4 N/C, 5 N/C.
16. DMX OUT (5-pole XLR): 1 = ground, 2 = DMX-, 3 = DMX+, 4 N/C, 5 N/C.
17. POWER OUT (PowerCON OUT): power output for connection of multiple units in series.

1.4 ECLFRSJB4

ECLFRSJB4 is a sturdy ABS case with four battery, a charger for them, four DMX cable male to male, four DMX cable male to female inside

BATTERY TECHNICAL SPECIFICATIONS

- Estimated battery life in single colour mode up to:(R) 8 h - (G) 8 h - (B) 7 h - (L) 3 h - (O) 4 h - (RB) 7 h
- Estimated battery life in full-mode up to:(TW) 1,25 h - (TU, DY) 1,5 h
- Re-charge time:5 h/max

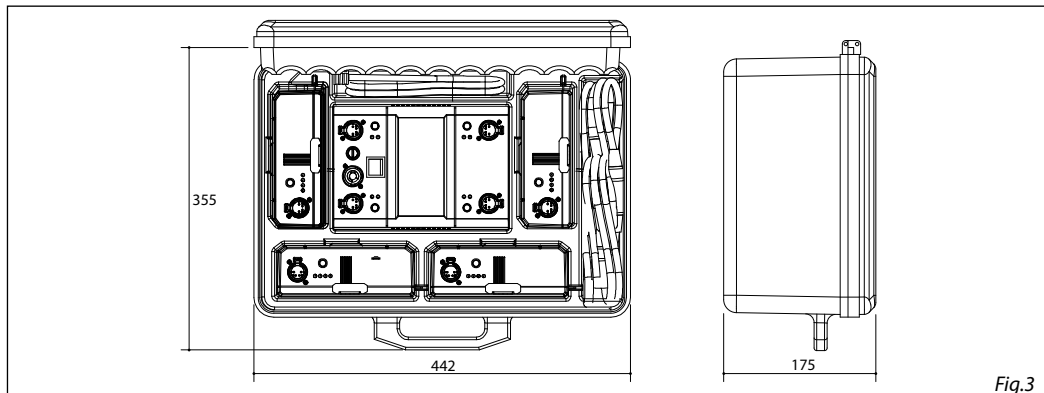


Fig.3

1.5 OPERATING ELEMENTS AND CONNECTIONS

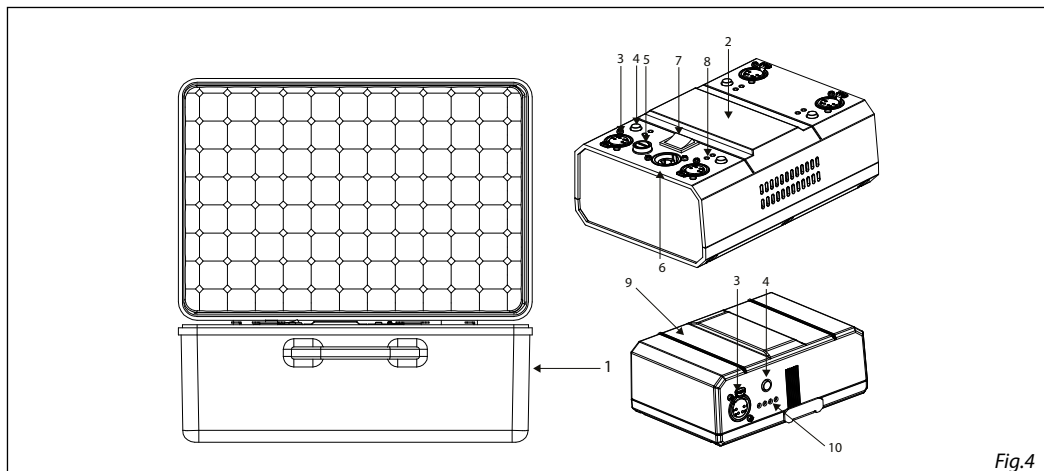


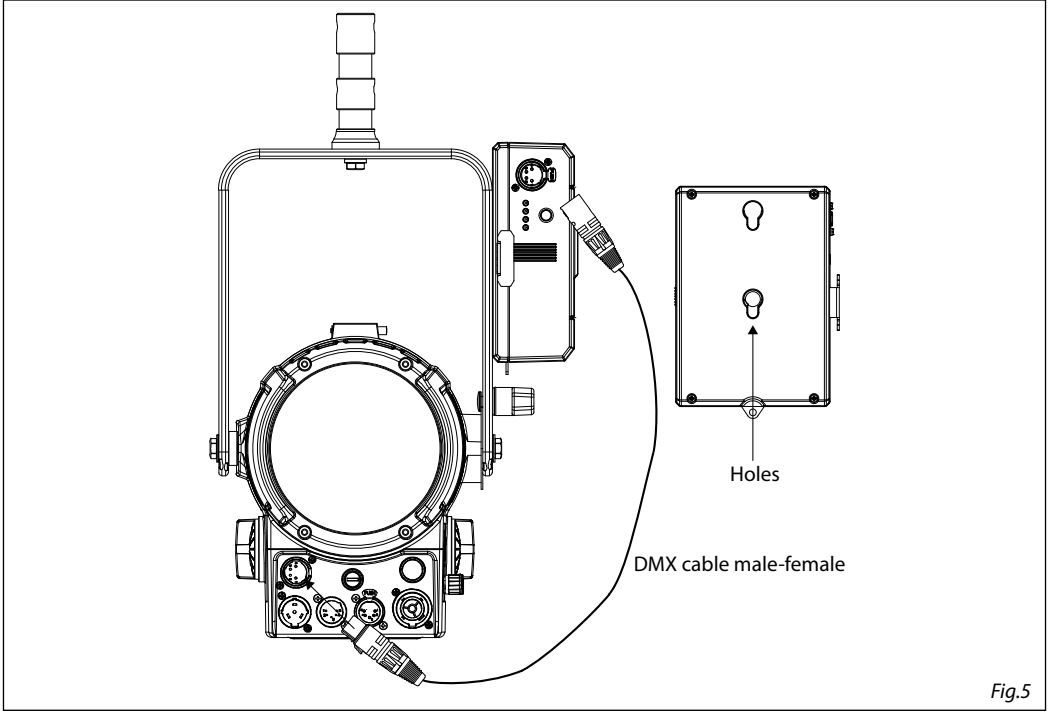
Fig.4

1. ABS case
2. CHARGER
3. CHARGER OUT
4. Button to start charging
5. MAIN FUSE HOLDER: replace a burnt-out fuse by one of the same type only
6. POWER IN (PowerCON IN): for connection to

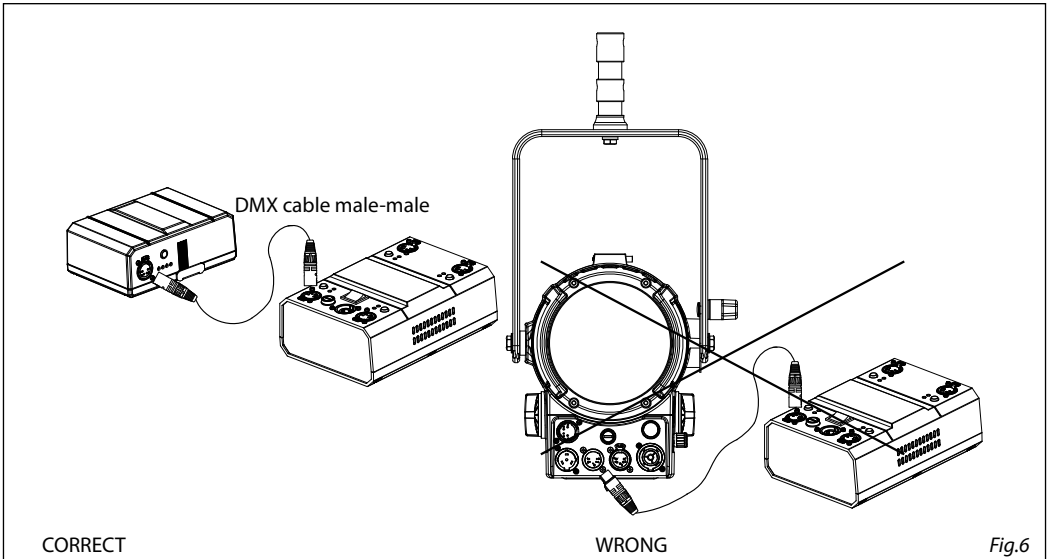
a socket (100-240V~/50-60Hz) via the supplied mains cable.

7. SWITCH
8. Charger status LED: if it is red, the battery is charging, if it is green, the battery is charged.
9. BATTERY
10. Battery status LED

MOUNTING



IMPORTANT: do not connect this charger directly to the ECLIPSEFESNELJ, please connect this charger only with the battery as power charger.



- 2 - INSTALLATION

2.1 MOUNTING

ECLFRJPTU-DY is designed for applications in exhibition areas, commercial spaces, museums, restaurant, churches, and any other installation where size is an important factor. For fixing, stable mounting clips are required. The mounting place must be of sufficient stability and be able to support a weight of 10 times of the unit's weight.

When carrying out any installation, always comply scrupulously with all the regulations (particularly regarding safety) currently in force in the country in which the fixture's being used.

- Install the projector at a suitable location.
- Always additionally secure the projector with the safety rope from falling down. For this purpose, fasten the safety rope at a suitable position so that the maximum fall of the projector will be 20 cm. The adjust the projector and use the knobs.

NOTE - For the installation of the ECLFRJPTU-DY make sure that the ridge of the adaptor is in with the groove of the track..

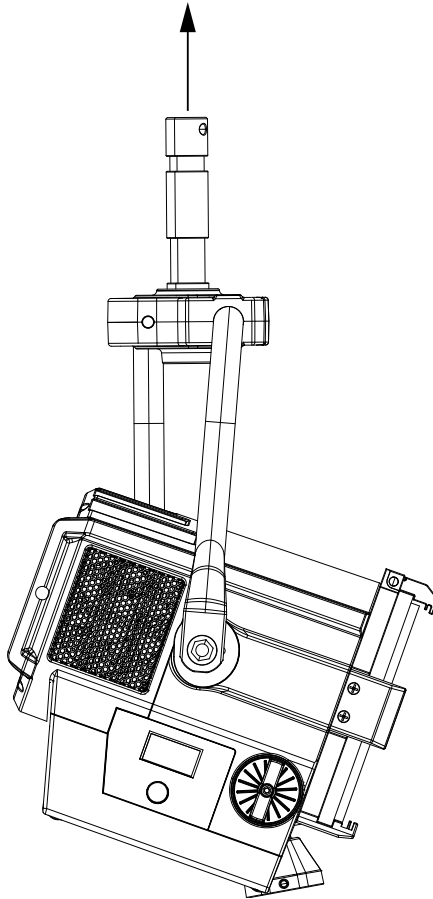


Fig.7

- 3 - FUNCTIONS AND SETTINGS

3.1 OPERATION

To turn on the ECLFRJPTU-DY connect the supplied main cable to a socket (100-240 VAC-50/60 Hz). Then the unit is ready for operation. You can also adjust the dimmer and zoom using the knobs.

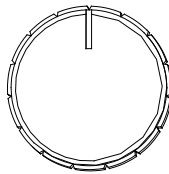
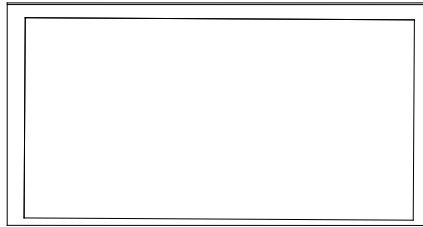
To switch off, disconnect the mains plug from the socket. For a more convenient operation it is recommended to connect the unit to a socket which can be switched on and off via a light switch.

NOTE - To operate the projector ECLFRJPTU-DY you need a system track. The track system must be installed and maintained by a suitably qualified person in compliance with latest construction and relevant legislation. It is the responsibility of the installer to ensure the electrical, mechanical and thermal compatibility of the track system and the fittings. The connection to the main network of electric distribution must be carried out by a qualified electrical installer.

ATTENTION - Mains voltage must be switched off before mounting; maintenance; insert and replace Adaptors; spots and luminaires.

3.2 BASIC

Access control panel functions using the knob located directly underneath the LED Display (fig.8).



Knob

Used to access the menu, to return a previous menu option, to navigate through the menu, to select and store the current menu or confirm the current function value or option within a menu

Fig.8- Functions of the buttons

3.3 MENU STRUCTURE

MENU		
1	CONNECT	⇒ DMX Address ⇒ Value (001-512)
		⇒ DMX Mode ⇒ EASY-1Ch BASIC-2Ch 1 BASIC-2Ch 2 BASIC-3Ch STANDARD-5CH
2	SETUP	⇒ Screen ⇒ Back Light ⇒ On 10S 20S 30S NO-Yes
		⇒ Flip Display ⇒
3	ADVANCED	⇒ Dimmer Mode ⇒ Off Dimmer 1 Dimmer 2 Dimmer 3
		⇒ Led Frequency ⇒ 600Hz 1200 Hz 2000 Hz 4000 Hz 6000Hz 25kHz
		⇒ Fan Mode ⇒ Auto On
		⇒ Factory Reload ⇒ NO-Yes
4	INFORMATION	⇒ Fixture Time ⇒ 0-9999
		⇒ Version ⇒ V1.0
		⇒ UID ⇒ 15D00219****
5	STAND ALONE	⇒ Master/Slave ⇒ Master Slave
		⇒ Effect ⇒ Effect 1 ⇒ <1-100> Effect 2 Effect 3 Effect 4
		⇒ Static ⇒ Dimmer Strobe ⇒ <0-255>

3.4 DMX MODE

- Press the ENTER button to access the main menu.
- Press the UP / DOWN keys to scroll the menu, select the **Connect** icon, then press the ENTER button to enter the next menu.
- Press the UP / DOWN keys to select **DMX ADDRESS**, and press the button ENTER to confirm.
- Press UP/DOWN button to select the desired value (**001-512**). Press and hold to scroll quickly.
- Press ENTER button to store.
- Press the MENU button to go back or to meet the waiting time to exit the setup menu.

To able to operate the ECLFRJPTU-DY with a light controller, adjust the DMX start address for the first a DMX channel. If e. g. address 33 on the controller is provided for controlling the function of the first DMX channel, adjust the start address 33 on the ECLFRJPTU-DY. The other functions of the light effect panel are then automatically assigned to the following addresses.

An example with the start address 33 is shown below:

Number DMX channels	Address of start (example)	DMX address occupied	Next possible start address for unit No. 1	Next possible start address for unit No. 2	Next possible start address for unit No. 3
1	33	33	34	35	36
2	33	33-34	35	37	39
3	33	33-35	36	39	42
5	33	33 - 37	38	43	48

3.5 DMX CONFIGURATION

ECLFRJPTU-DY is equipped with different DMX configuration.

- Press the ENTER button to access the main menu.
- Press the UP / DOWN keys to scroll the menu, select the **Connect** icon, then press the ENTER button to enter the next menu.
- Press the UP / DOWN keys to select **DMX MODE**, and press the button ENTER to confirm.
- Select the desired DMX configuration (**EASY-1Ch**, **BASIC-2Ch 1**, **BASIC-2Ch 2**, **BASIC-3Ch**, **STANDARD-5Ch**) through the buttons UP/DOWN.

The tables on page 15 indicate the operating mode and DMX value.

3.6 SCREEN

You can change the following parameters related to the display, following the same procedure:

- Press the ENTER button to access the main menu.
- Press the UP / DOWN keys to scroll the menu, select the **Set Up** icon, then press the ENTER button to enter the next menu.
- Press UP / DOWN to scroll through the menu, then select **Screen**, and press the ENTER button to enter the next menu.
- Press UP / DOWN to scroll through the menu, and then select one of the following settings for the display and press the ENTER key to display it.
 - **Back Light** - Backlight display Auto Off. This feature allows you to automatically turn off the backlight after a specified time that you can set using the arrow buttons. To have the display always on select **On** or choose another value to turn off the display after the amount of time you choose.
 - **Flip Display** - Orientation of the display. This function allows you to rotate the display 180° to get a better view of the display when the unit is hanging upside down. Select **YES** to activate or **NO** to disable this function.
- Press the ENTER button to confirm your choice.
- Press the MENU button repeatedly to exit the menu and to save the changes made.

3.7 DIMMER MODE

- Enter in Dimmer mode to select specific dimming curve, press the ENTER button to access the main menu.
- Press the UP/DOWN keys to scroll the menu, select the **Advanced** icon, then press the ENTER button to enter the next menu.
- Press UP/DOWN to scroll through the menu, then select **DIM MODE**, and press the button ENTER to confirm.
- Press the button UP/DOWN to select **OFF - DIM1 - DIM2 - DIM3**.
- Press ENTER button to store.
- Press the MENU button repeatedly to exit the menu and to save the changes made.

3.8 LED FREQUENCY

- To adjust the frequency of the LEDs, press the ENTER button to access the main menu.
- Press the UP/DOWN keys to scroll the menu, select the **Advanced** icon, then press the ENTER button to enter the next menu.
- Press UP/DOWN to scroll through the menu, then select **LED Frequency**, and press the button ENTER to confirm.
- Select the frequency (**600Hz - 1200Hz - 2000Hz - 4000Hz - 6000Hz - 25kHz**) using the UP/DOWN buttons.
- To confirm, press the ENTER key.
- Press the MENU button repeatedly to exit the menu and to save the changes made..

3.9 FANS MODE

Select this function to set the fans operation mode:

- Press the ENTER button to access the main menu.
- Press the UP/DOWN button to scroll the menu, select the **Advanced**, then press the ENTER button to enter the next menu.
- Press the UP/DOWN button to scroll through the menu, select **Fans Mode**, and press the ENTER button to enter the next menu.
- Press the UP/DOWN button to select Auto/On, press the ENTER button to confirm your choice.
- Press the MENU button repeatedly to exit the menu and to save the changes made..

3.10 FACTORY RELOAD

Selezionare questa funzione per ripristinare l'unità alle impostazioni di fabbrica:

- To activate **Reset Factory** display press the ENTER button to access the main menu.
- Press the UP/DOWN keys to scroll the menu, select the **Advanced** icon, then press the ENTER button to enter the next menu.
- Press UP/DOWN to scroll through the menu, then select **Factory Reload**, and press the button ENTER to confirm.
- Press the MENU button repeatedly to exit the menu and to save the changes made.u.

3.11 FIXTURE INFORMATION

To view all the information on the device, proceed as follows:

- Press the ENTER button to access the main menu.
- Press the UP/DOWN button to scroll the menu, select the icon **Information**, then press the ENTER button to enter the next menu.
- Press the UP/DOWN button to scroll through the menu, then select one of the following information

and press the ENTER button to display it.

- **Fixture Time** - Through the **Fixture Time** function you can display the operating time of the projector.
 - **Software Version** - Through **Version** function you can display the currently installed software version.
 - **UID** - This option shows the RDM identification number.
- Press the MENU button repeatedly to exit the menu and to save the changes made.

3.12 MASTER SLAVE

- Press the ENTER button to access the main menu.
- Press the UP/DOWN button to scroll the menu, select the **Stand Alone** icon, then press the ENTER button to enter the next menu.
- Press the UP/DOWN button to scroll through the menu, select **Master/Slave** and press ENTER to confirm your choice.
- Press the UP/DOWN button to select the mode of operation:
 - **Master**, if the unit is connected in series with other units and it acts as the Master;
 - **Slave**, if the unit is not connected to other units.
- Press the ENTER button to confirm your choice.
- Press the MENU button repeatedly to exit the menu and to save the changes made.

3.13 EFFECTS

The unit has pre-programmed effects that can be set through the following procedure:

- Press the ENTER button to access the main menu.
- Press the UP/DOWN button to scroll the menu, select the **Effects** icon, then press the ENTER button to enter the next menu.
- Press the UP/DOWN button to select the mode of operation: **Effects 1, Effects 2, Effects 3, Effects 4.**
- Press the ENTER button to confirm your choice.
- Press the MENU button repeatedly to exit the menu and to save the changes made.

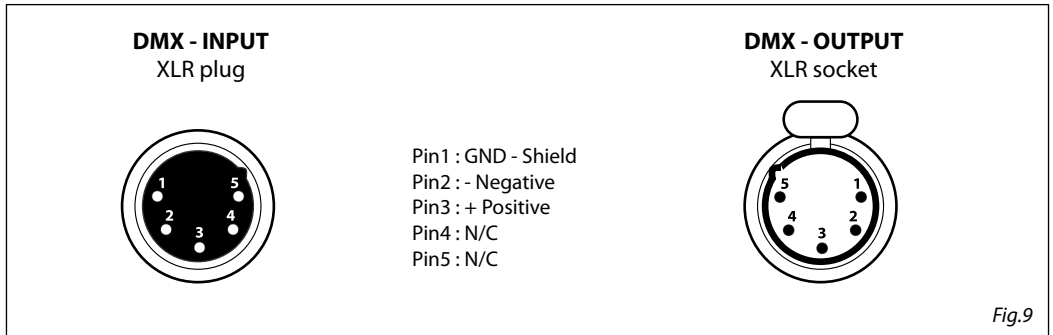
3.14 STATIC

- The unit allows you to create configurations that can be set through the following procedure:
- To enter to static static mode, Press the ENTER button to access the main menu.
- Press the UP/DOWN button to scroll the menu, select the **Stand Alone** icon, then press the ENTER button to enter the next menu.
- Press the UP/DOWN button to scroll through the menu, select **Static** and press ENTER to confirm your choice.
- Through the UP/DOWN buttons select **DIMMER** o **STROBE** and press the ENTER button to confirm the desired function.
- Set the value (000 - 255), Through the UP/DOWN buttons, then press the ENTER button to confirm
- Press the MENU button repeatedly to exit the menu and to save the changes made.

3.15 CONNECTION OF THE DMX LINE

DMX connection employs standard XLR connectors. Use shielded pair-twisted cables with 120Ω impedance and low capacity.

The following diagram shows the connection mode:



ATTENTION

The screened parts of the cable (sleeve) must never be connected to the system's earth, as this would cause faulty fixture and controller operation.

Over long runs can be necessary to insert a DMX level matching amplifier.

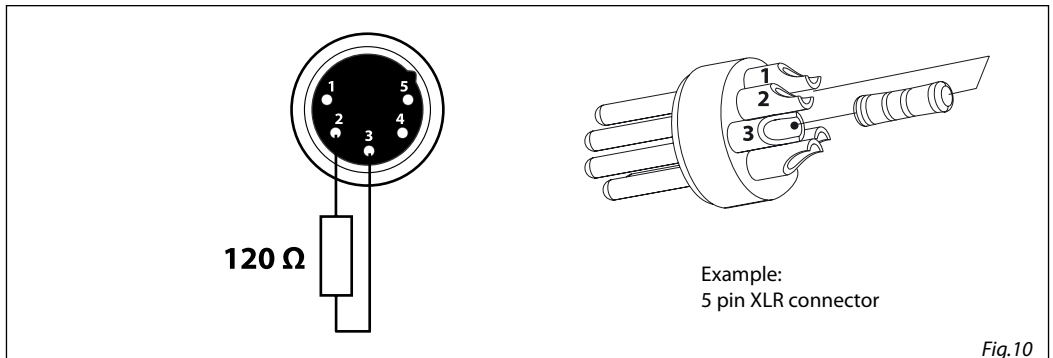
For those connections the use of balanced microphone cable is not recommended because it cannot transmit control DMX data reliably.

- Connect the controller DMX input to the DMX output of the first unit.
- Connect the DMX output to the DMX input of the following unit. Connect again the output to the input of the following unit until all the units are connected in chain.
- When the signal cable has to run longer distance is recommended to insert a DMX termination on the last unit.

3.16 CONSTRUCTION OF THE DMX TERMINATION

The termination avoids the risk of DMX 512 signals being reflected back along the cable when they reach the end of the line: under certain conditions and with certain cable lengths, this could cause them to cancel the original signals.

The termination is prepared by soldering a 120Ω 1/4 W resistor between pins 2 and 3 of the 5-pin male XLR connector, as shown in figure.



3.17 CHANNELS DMX

1 CHANNEL

MODE 1 Ch	FUNCTION	DMX Value
1	DIMMER 0~100%	000 - 255

3 CHANNELS

MODE 3 Ch	FUNCTION	DMX Value
1	DIMMER 0~100%	000 - 255
2	DIMMER FINE 0~100%	000 - 255
3	STROBE No Function Strobe slow to fast	000 - 010 011 - 255

2 CHANNELS 1

MODE 2 Ch1	FUNCTION	DMX Value
1	DIMMER 0~100%	000 - 255
2	DIMMER FINE 0~100%	000 - 255

5 CHANNELS

MODE 5 Ch	FUNCTION	DMX Value
1	DIMMER 0~100%	000 - 255
2	STROBE No Function Strobe slow to fast	000 - 010 011 - 255
3	AUTO PROGRAMS No Function Auto Program 1 Auto Program 2 Auto Program 3 Auto Program 4	000 - 010 011 - 070 071 - 130 131 - 190 191 - 255
4	AUTO SPEED Speed slow to fast	000 - 255
5	DIMMER SPEED MODE Preset dimmer speed from display menu Dimmer speed mode off Dimmer speed mode1 (fast speed) Dimmer speed mode2 (middle speed) Dimmer speed mode3 (slow speed)	000 - 051 052 - 101 102 - 152 153 - 203 204 - 255

2 CHANNELS 2

MODE 2 Ch2	FUNCTION	DMX Value
1	DIMMER 0~100%	000 - 255
2	STROBE No Function Strobe Slow to Fast	000 - 010 011 - 255

- 4 - MAINTENANCE

4.1 MAINTENANCE AND CLEANING THE UNIT

- Make sure the area below the installation place is free from unwanted persons during setup.
- Switch off the unit, unplug the main cable and wait until the unit has cooled down.
- All screws used for installing the device and any of its parts should be tightly fastened and should not be corroded.
- Housings, fixations and installation spots (ceiling, trusses, suspensions) should be totally free from any deformation.
- The main cables must be in impeccable condition and should be replaced immediately even when a small problem is detected.
- It is recommended to clean the front at regular intervals, from impurities caused by dust, smoke, or other particles to ensure that the light is radiated at maximum brightness. For cleaning, disconnect the main plug from the socket. Use a soft, clean cloth moistened with a mild detergent. Then carefully wipe the part dry. For cleaning other housing parts use only a soft, clean cloth. Never use a liquid, it might penetrate the unit and cause damage to it.

4.2 FUSE REPLACEMENT

1. Disconnect this product from the power outlet.
2. Using a screwdriver, unscrew the fuse holder cap from the housing.
3. Remove the blown fuse and replace with a good fuse of the same type and rating.
4. Screw the fuse holder cap back in place and reconnect power

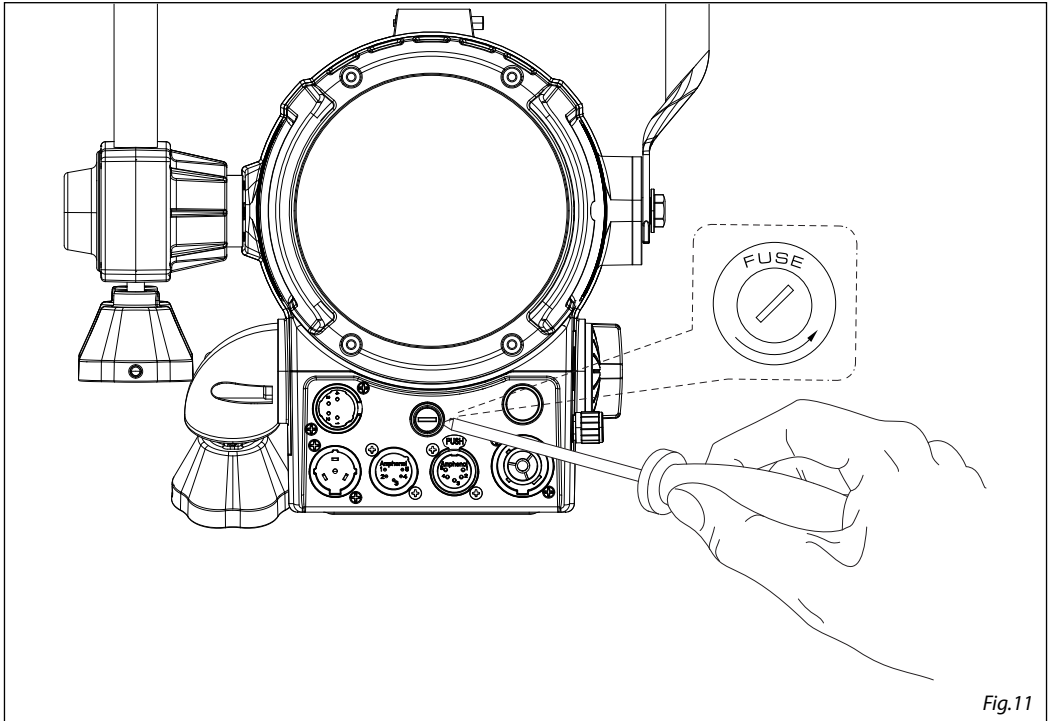


Fig.11

4.3 TROUBLESHOOTING

Problems	Possible causes	Checks and remedies
Fixture does not light up	<ul style="list-style-type: none"> • No mains supply • Dimmer fader set to 0 • Faulty LED 	<ul style="list-style-type: none"> • Check the power supply voltage • Increase the value of the dimmer channels • Replace the LED board
General low light intensity	<ul style="list-style-type: none"> • Dirty lens assembly • Misaligned lens assembly 	<ul style="list-style-type: none"> • Clean the fixture regularly • Install lens assembly properly
Fixture does not power up	<ul style="list-style-type: none"> • No power • Loose or damaged power cord 	<ul style="list-style-type: none"> • Check for power on power outlet • Check power cord

Contact an authorized service center in case of technical problems or not reported in the table can not be resolved by the procedure given in the table.

Music & Lights S.r.l. si riserva ogni diritto di elaborazione in qualsiasi forma delle presenti istruzioni per l'uso.
La riproduzione - anche parziale - per propri scopi commerciali è vietata.

Al fine di migliorare la qualità dei prodotti, la Music&Lights S.r.l. si riserva la facoltà di modificare, in qualunque momento e senza preavviso, le specifiche menzionate nel presente manuale di istruzioni.
Tutte le revisioni e gli aggiornamenti sono disponibili nella sezione 'Manuali' sul sito www.musiclights.it

INDICE**Sicurezza**

Simboli	4
Avvertenze generali	5
Omologazioni	5
Prevenzione incendi	5
Prevenzione delle scosse elettriche	5
Sicurezza fotobiologica	6
Avvertenze	6
Direttiva sui rifiuti di apparecchiature elettriche ed elettroniche (RAEE)	6

1 Introduzione

1. 1 Descrizione e specifiche tecniche	7
1. 2 Specifiche tecniche	9
1. 3 Elementi di comando e di collegamento	9
1. 4 ECLFRESJBP4	10

2 Installazione

2. 1 Montaggio	12
----------------------	----

3 Funzioni e impostazioni

3. 1 Funzionamento	13
3. 2 Impostazione base	14
3. 3 Struttura menù	14
3. 4 Modalità DMX	15
3. 5 Configurazione canali	15
3. 6 Screen	15
3. 7 Dimmer mode	16
3. 8 Frequenza led	16
3. 9 Fans mode	16
3. 10 Factory Reload	16
3. 11 Informazioni sul dispositivo	16
3. 12 Master/Slave	17
3. 13 Effects	17
3. 14 Static	17
3. 15 Collegamenti della linea DMX	18
3. 16 Costruzione del terminatore DMX	18
3. 17 Canali DMX	19

4 Manutenzione

4. 1 Manutenzione e pulizia del sistema ottico	20
4. 2 Sostituzione fusibile	20
4. 3 Risoluzione dei problemi	21

Contenuto dell'imballo:

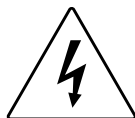
- ECLFRJPTU-DY
- ECLIPSEFRSJBD
- ECLFRSPG
- Cavo di alimentazione
- Manuale utente



ATTENZIONE! Prima di effettuare qualsiasi operazione con l'unità, leggere con attenzione questo manuale e conservarlo accuratamente per riferimenti futuri. Contiene informazioni importanti riguardo l'installazione, l'uso e la manutenzione dell'unità.



SIMBOLI



RISCHIO DI SCOSSE ELETTRICHE



LEGGERE IL MANUALE UTENTE



RISCHIO GENERALE / ATTENZIONE



NON CONSERVARE ALLA FONTE DI LUCE DI FUNZIONAMENTO



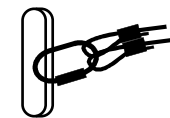
RIFIUTI ATTREZZATURE ELETTRICHE ED ELETTRONICHE

T_a 45°C

TEMPERATURA AMBIENTE OPERATIVA MASSIMA



USO INTERNO



PUNTO DI FISSAGGIO PER CAVO DI SICUREZZA



CONFORMITÀ DELL'UNIONE EUROPEA





ATTENZIONE! Prima di effettuare qualsiasi operazione con l'unità, leggere con attenzione questo manuale e conservarlo accuratamente per riferimenti futuri. Contiene informazioni importanti riguardo l'installazione, l'uso e la manutenzione dell'unità.




SICUREZZA

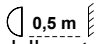
Avvertenze generali

- L'unità non per uso domestico, solo per uso professionale. 
- Le operazioni di collegamento alla rete di distribuzione dell'energia elettrica devono essere effettuate da un installatore elettrico qualificato.
- Scollegare sempre il dispositivo dalla rete prima della manutenzione.
- È obbligatorio effettuare il collegamento ad un impianto di alimentazione dotato di un'efficiente messa a terra (apparecchio di Classe I secondo norma EN 60598-1). Si raccomanda, inoltre, di proteggere le linee di alimentazione delle unità dai contatti indiretti e/o cortocircuiti verso massa tramite l'uso di interruttori differenziali opportunamente dimensionati.
- Non modificare l'apparecchiatura in alcun modo non descritto nel presente manuale o installare parti diverse da quelle originali Music & Lights. Non applicare filtri, lenti o altri materiali su obiettivi o altri componenti ottici. Utilizzare solo accessori approvati da Music & Lights.
- Se il dispositivo dovesse trovarsi ad operare in condizioni differenti da quelle descritte nel presente manuale, potrebbero verificarsi dei danni; in tal caso la garanzia verrebbe a decadere.
- Si declina ogni responsabilità derivata dall'uso improprio del prodotto. 

Omologazioni

- I prodotti a cui questo manuale si riferisce sono conformi alle Direttive della Comunità Europea LVD (Low Voltage Directive) 2014/35/EC, EMC (Electromagnetic Compatibility Directive) 2014/30/EU, RoHS (Restriction of Hazardous Substances Directive) 2011/65/CE e pertanto recano la sigla 

Prevenzione incendi

- La distanza minima tra il proiettore e le pareti circostanti e i materiali infiammabili deve essere superiore a 50 cm e non devono essere ostruite, in nessun caso, le aperture di aerazione. 
- Sostituire un fusibile difettoso, bruciato o danneggiato solo con uno dello stesso tipo. Per la sostituzione del fusibile fare riferimento al paragrafo "Manutenzione".
- Non utilizzare l'unità se la temperatura ambiente supera i 45 °C (122 °F). $T_a 45^\circ\text{C}$
- La superficie dell'apparecchio può raggiungere fino a 50 °C (158 °F) durante il funzionamento. Evitare il contatto con persone e materiali.
- Accertarsi che vi sia un flusso d'aria libero e senza ostacoli intorno all'apparecchio.

Prevenzione delle scosse elettriche



- Il dispositivo funziona con pericolosa tensione di rete 230V~. Non intervenire mai al suo interno al di fuori delle operazioni descritte nel presente manuale; esiste il pericolo di una scarica elettrica.
- Scollegare l'alimentazione dell'unità quando non in uso.
- L'apparecchio deve essere posizionato in luoghi con una buona ventilazione.
- Fare riferimento a qualsiasi operazione di assistenza non descritta in questo manuale al supporto tecnico Music & Lights.
- Isolare immediatamente l'unità dall'alimentazione se eventuali guarnizioni, coperture, cavi o altri componenti sono danneggiati, difettosi, deformati o che mostrano segni di surriscaldamento. Non riapplicare l'alimentazione finché non sono state completate le riparazioni. Prima di utilizzare l'unità, verificare che tutte i componenti e i cavi di distribuzione dell'alimentazione siano in perfette condizioni.



ATTENZIONE! Prima di effettuare qualsiasi operazione con l'unità, leggere con attenzione questo manuale e conservarlo accuratamente per riferimenti futuri. Contiene informazioni importanti riguardo l'installazione, l'uso e la manutenzione dell'unità.



Sicurezza fotobiologica



- Questo dispositivo è un prodotto identificato nel gruppo di rischio 2 secondo EN 62471.
- Emette radiazioni ottiche potenzialmente pericolose. Rientra nelle categorie del gruppo di rischio secondo la norma EN 62471.
- Non guardare direttamente la sorgente LED durante il funzionamento. Può essere dannoso per gli occhi e per la pelle.



Avvertenze



- Questo dispositivo è classificato IP20. Non è adatto per l'uso in luoghi umidi. Evitare di utilizzare l'unità in luoghi soggetti a vibrazioni, o a possibili urti;
- Evitare che nell'unità penetrino liquidi infiammabili, acqua o oggetti metallici.

Direttiva sui rifiuti di apparecchiature elettriche ed elettroniche (RAEE)



- L'unità, gli accessori e l'imballaggio devono essere ordinati per un riciclaggio rispettoso dell'ambiente.
- Per i paesi della CE: secondo la Direttiva europea 2012/19 / CE per i rifiuti di apparecchiature elettriche ed elettroniche e la sua attuazione nel diritto nazionale, gli apparecchi che non sono più utilizzabili devono essere raccolti separatamente e smaltiti in modo ecologicamente corretto.

- 1 - INTRODUZIONE

1.1 DESCRIZIONE

ECLIPSEFRESNELJ è una fresnel LED di fascia alta, equivalente a proiettori alogeni da 650 W. Dotato delle stesse caratteristiche in termini di output dei Fresnel tradizionali, con controllo del fascio tramite bandiere funzionali e una sorgente potentissima che si focalizza su una resa del colore ottimale. ECLIPSEFRESNELJ aggiunge ai Fresnel tutti i vantaggi del LED.

1.2 SPECIFICHE TECNICHE

SORGENTE LUMINOSA

- Sorgente: (TU) 69 W (DY) 74W LED bianco ad alta potenza
- CCT: (TU) 3.100 K - (DY) 5.600K
- CRI: (TU) 97 - (DY) 90
- R9: (TU) 97 - (DY) 54
- Flusso luminoso: (TU) (15°) 3'018 lm (51°) 4'549 lm - (DY) (15°) 3'847 lm (51°) 5'903lm
- Lux: TU (15°) 3'630 lx - (51°) 775lx @3 m
- Lux: DY (15°) 4'770 lx - (51°) 772lx @3 m
- Durata media sorgente: > 50.000 h

OTTICA

- Zoom: 15° - 51° manuale
- Angolo di campo: 26,7° - 75,6°
- Diametro: 6" - 150mm
- Tipo lente: fresnel zoom lens

EFFETTI DINAMICI

- Modalità colore statico: riproduzione statica di un colore
- Modalità colore manuale: regolazione manuale del dimmer tramite menu o manopola
- Auto mode: programmi integrati con regolazione della velocità di esecuzione

CORPO

- Hardware a bordo: included telaio del filtro, barndoor ad 8 porte e spigot per staffa OMEGA inclusi
- Pan angle: 360° con regolazione manuale
- Tilt angle: 340° con regolazione manuale
- Corpo: corpo in alluminio pressofuso ad alta resistenza
- Colore: nero

CONTROLLO

- Protocolli: DMX512, RDM, local knob
- Canali DMX: 1 / 2 - 1 / 2 - 2 / 3 / 5channel
- RDM: RDM ready per controllo e impostazioni remote della fixture
- Display: display black OLED ad alta risoluzione
- Aggiornamento firmware: si, con interfaccia USB - DMX (UPBOX1) non inclusa
- Altro: 16bit control of dimmer and Color

ELETTRONICA

- Dimmer: 0 ~ 100% lineare, elettronico
- Curve dimmer: 4 curve dimmer regolabili

- Strobo / shutter: 0 ~ 30 Hz, elettronico
- Temperatura d'esercizio: -10° ~ +45°
- Flicker: frequenza senza flicker con PWM regolabile
- PWM selezionabile: 600 ~ 25.000 Hz

ALIMENTAZIONE

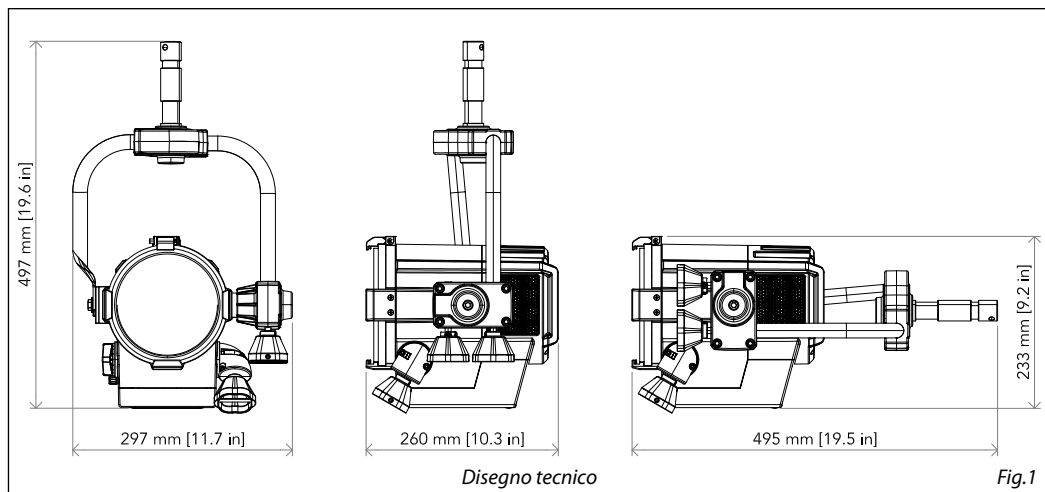
- Alimentazione elettrica: 100-240 V – 50/60 Hz
- Potenza assorbita (a 230 V): 82,7W
- Potenza assorbita (a 120 V): 83,3W
- Output (a 230 V): 30 unità connesse in serie
- Output (a 120 V): 16 unità connesse in serie

BATTERIA

- Batteria: 29,6V 4400 mAh (opzionale) external battery
- Connessione di ricarica: XLR 4p

CARATTERISTICHE FISICHE

- Raffreddamento: aria filtrata forzata con ventole silenziate
- Sospensione e fissaggio: staffa per il fissaggio in sospensione e per il posizionamento del proiettore con qualsiasi orientamento
- Connessione di segnale: Amphenol XLR 5p IN/OUT connectors
- Connessione di alimentazione: Neutrik powerCON TRUE1 IN/OUT connectors
- Grado IP: 20
- Dimensioni (LxAxP): 298x496x260mm
- Peso: 6kg



1.3 ELEMENTI DI COMANDO E COLLEGAMENTI

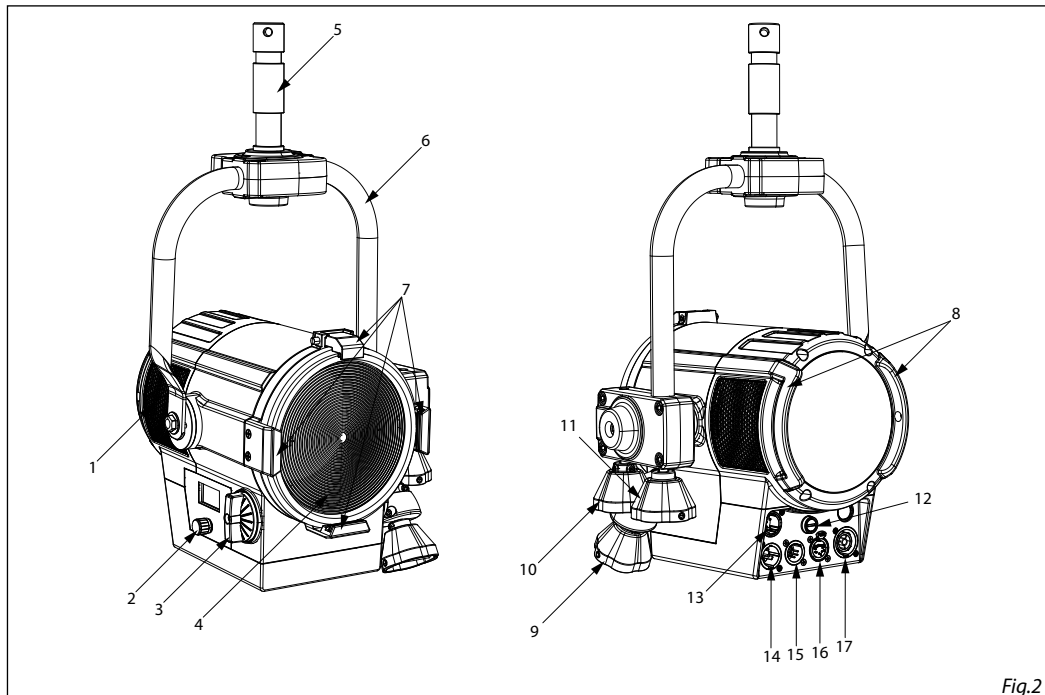


Fig.2

1. GRIGLIA DI VENTILAZIONE per uscita flusso d'aria da non ostruire.
2. PANNELLO DI CONTROLLO con display e una manopola per accesso e gestione delle funzioni.
3. MANOPOLA DI REGOLAZIONE ZOOM E MESSA A FUOCO per zoommare l'immagine proiettata in modo chiaro.
4. LENTE
5. SPIGOT
6. STAFFA POLE OPERATED
7. GUIDA per bloccaggio e rilascio accessori.
8. MANIGLIE
9. POLE OPERATOR GIALLO: Pole operator per lo zoom.
10. POLE OPERATOR BIANCO: Pole operator per Tilt.
11. POLE OPERATOR BLU: Pole operator per Pan.
12. PORTAFUSIBILE: sostituire un fusibile difettoso solo con uno dello stesso tipo.
13. 9. BATTERY 4 pin-in
14. POWER IN (PowerCON IN): per il collegamento ad una presa di rete (100-240V~/50-60Hz) tramite il cavo rete in dotazione.
15. DMX IN (XLR a 5 poli): 1 = massa, 2 = DMX -, 3 = DMX +, 4 N/C, 5 N/C
16. DMX OUT (XLR a 5 poli): 1 = massa, 2 = DMX -, 3 = DMX +, 4 N/C, 5 N/C
17. POWER OUT (PowerCON OUT): collegamento per l'alimentazione all'unità successiva.

1.4 ECLFRSJBP4

ECLFRSJBP4 è una robusta custodia ABS con quattro batterie, un caricabatterie, quattro cavi DMX maschio-maschio, quattro cavi DMX maschio-femmina all'interno.

SPECIFICHE TECNICHE BATTERIA

- Autonomia in modalità singolo colori, fino a: (R) 8 h - (G) 8 h - (B) 7 h - (L) 3 h - (O) 4 h - (RB) 7h
- Autonomia in modalità full white, fino a: (TW) 1,25 h - (TU, DY) 1,5h
- Tempo di ricarica: 5h/max

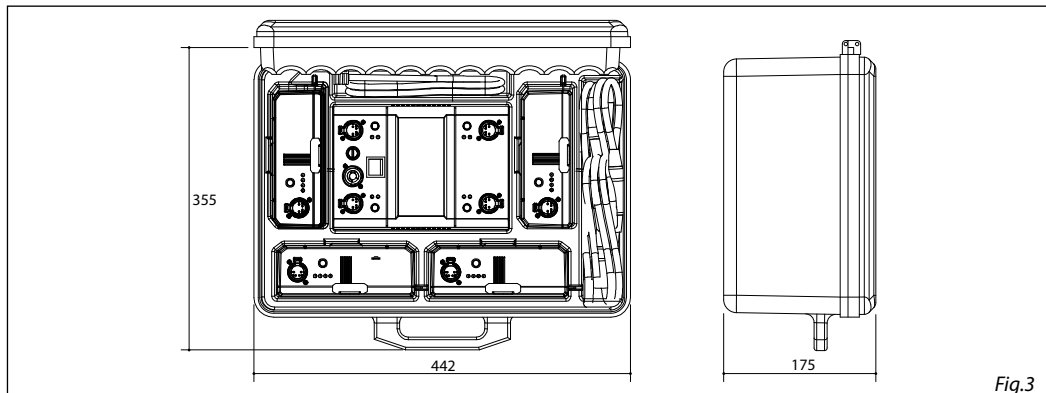


Fig.3

1.5 ELEMENTI DI COMANDO E COLLEGAMENTI

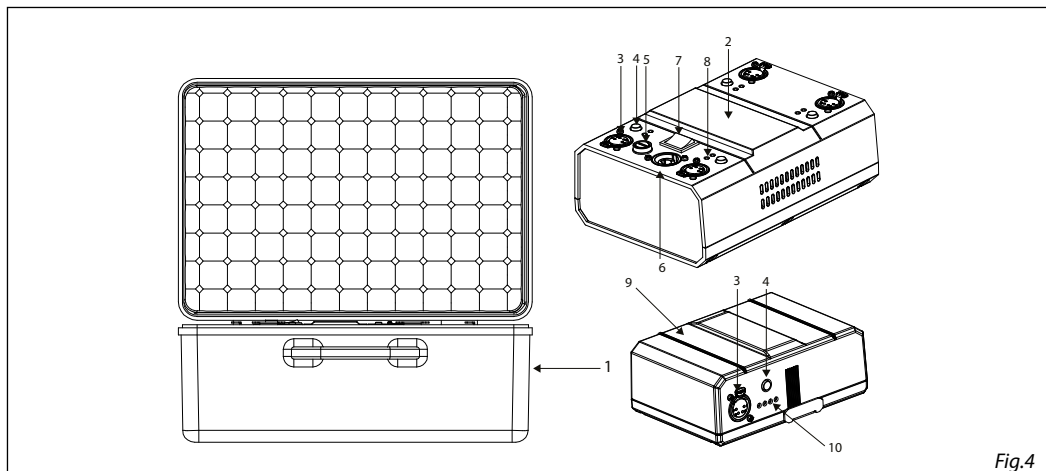


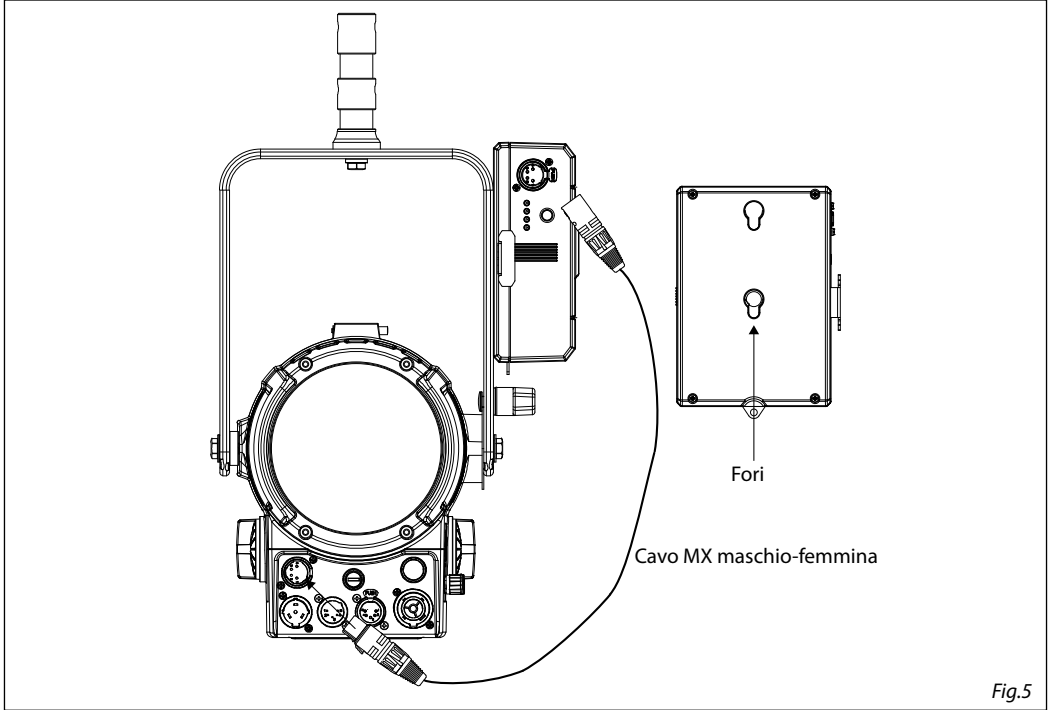
Fig.4

1. Custodia ABS
2. CARICABATTERIA
3. USCITA CARICABATTERIA
4. Tasto per avviare la carica.
5. PORTAFUSIBILE: sostituire un fusibile difettoso solo con uno dello stesso tipo.
6. POWER IN (PowerCON IN): per il collegamento ad una presa di rete (100-240V~/50-60Hz)

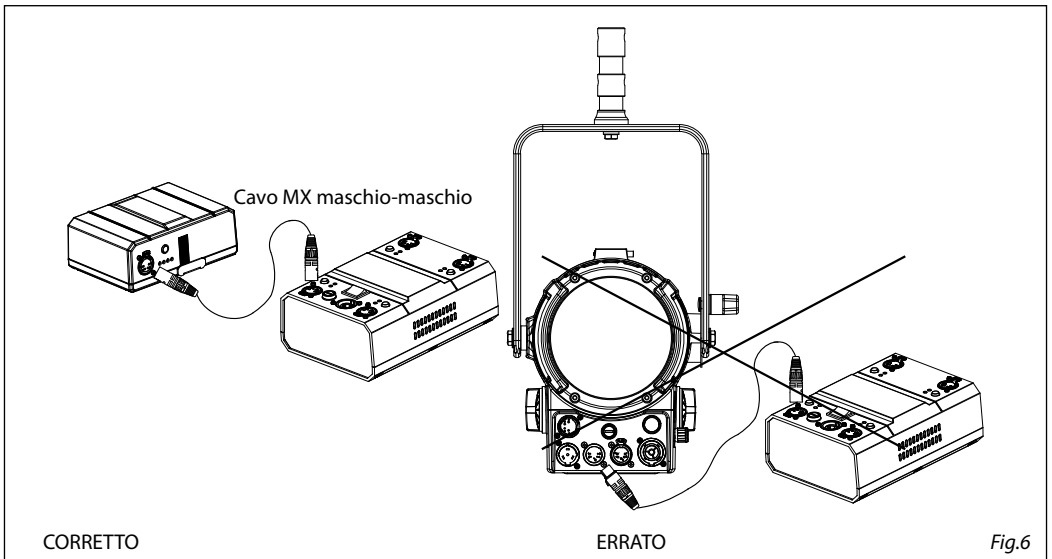
tramite il cavo rete in dotazione.

7. INTERRUTTORE GENERALE
8. Segnale LED caricabatteria: se il segnale è rosso, la batteria sta caricando, se è verde la batteria è carica. the battery is charged.
9. BATTERIA
10. Segnale LED batteria

MONTAGGIO



IMPORTANTE: non collegare il caricabatteria direttamente all'ECLIPSE FRESNELJ, collegare questo carica-batteria solo con la batteria.



- 2 - INSTALLAZIONE

2.1 MONTAGGIO

ECLFRJPTU-DY è stato progettato per applicazioni in campo commerciale, musei, ristoranti, chiese, teatri educativi e qualsiasi altro ambito in cui le dimensioni rappresentano un fattore importante.

Per il fissaggio occorrono dei supporti robusti per il montaggio. L'area di collocazione deve avere una stabilità sufficiente e supportare almeno 10 volte il peso dell'unità. Inoltre assicurarsi di rispettare tutte le avvertenze in materia di sicurezza.

- Fissare il proiettore ad una collocazione idonea.
- È assolutamente necessario assicurare il proiettore contro la caduta utilizzando un cavo di sicurezza: in particolare collegare il cavo in un punto adatto in modo che la caduta del proiettore non possa superare i 20 cm. Quindi orientare il proiettore.

NOTA - Per l'installazione del proiettore ECLFRJPTU-DY inserire il gancio (incluso) o un morsetto idoneo per fissarlo ad un sistema sospeso.

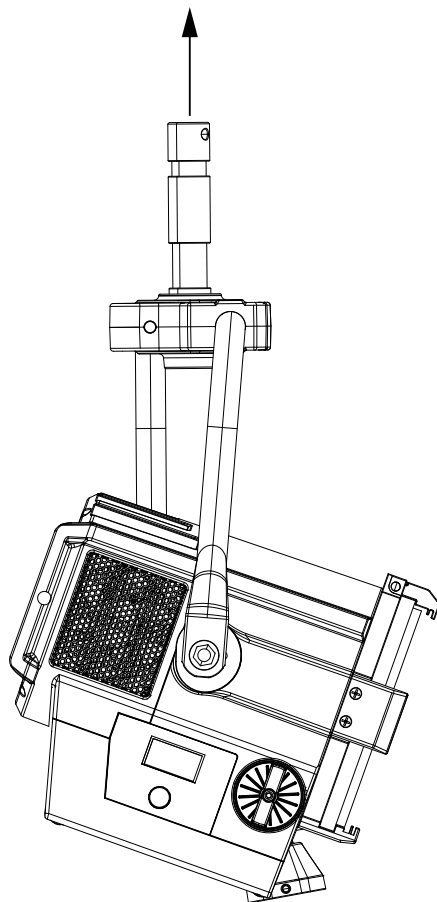


Fig.7

- 3 - FUNZIONI E IMPOSTAZIONI

3.1 FUNZIONAMENTO

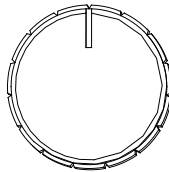
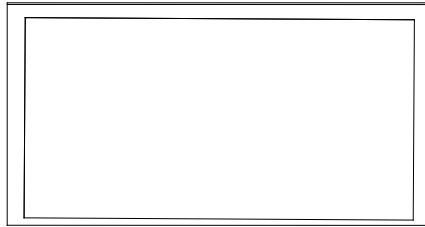
Per accendere il ECLFRJPTU-DY, inserire la spina del cavo di alimentazione in una presa di rete (100-240V~/50-60Hz). Effettuare le regolazioni del dimmer e dello zoom mediante le relative manopole. Dopo l'utilizzo spegnere il dispositivo, staccare la spina dalla presa di rete. Per maggiore comodità è consigliabile collegare l'unità con una presa comandata da un interruttore.

NOTA - Per il funzionamento del proiettore ECLFRJPTU-DY è necessario realizzare invece un sistema track. Il sistema di binari deve essere installato e gestito da personale qualificato in conformità con le relative normative vigenti nel paese di utilizzo. È responsabilità dell'installatore garantire la compatibilità elettrica, meccanica e termica del sistema. In particolare, le operazioni di collegamento alla rete di distribuzione dell'energia elettrica devono essere effettuate da un installatore elettrico qualificato.

ATTENZIONE - Assicurararsi di togliere la tensione di alimentazione prima di iniziare qualsiasi intervento di manutenzione, inserimento e sostituzione di track-adpater (optional) e dispositivi di illuminazione.

3.2 IMPOSTAZIONE BASE

Il ECLFRJPTU-DY dispone di un display e una manopola per accesso alle funzioni del pannello di controllo (fig.8).



MANOPOLA

Utilizzato per accedere al menu, per tornare a un'opzione di menu precedente, per navigare nel menu, per selezionare e memorizzare il menu corrente o per confermare il valore o l'opzione della funzione corrente all'interno di un menu

Fig.8- Funzione dei tasti

3.3 STRUTTURA MENU

MENU		
1	CONNECT	⇒ DMX Address ⇒ Value (001-512)
		⇒ DMX Mode ⇒ EASY-1Ch BASIC-2Ch 1 BASIC-2Ch 2 BASIC-3Ch STANDARD-5CH
2	SETUP	⇒ Screen ⇒ Back Light ⇒ On 10S 20S 30S NO-Yes
		⇒ Flip Display ⇒
3	ADVANCED	⇒ Dimmer Mode ⇒ Off Dimmer 1 Dimmer 2 Dimmer 3
		⇒ Led Frequency ⇒ 600Hz 1200 Hz 2000 Hz 4000 Hz 6000Hz 25kHz
		⇒ Fan Mode ⇒ Auto On
		⇒ Factory Reload ⇒ NO-Yes
4	INFORMATION	⇒ Fixture Tlme ⇒ 0-9999
		⇒ Version ⇒ V1.0
		⇒ UID ⇒ 15D00219****
5	STAND ALONE	⇒ Master/Slave ⇒ Master Slave
		⇒ Effect ⇒ Effect 1 ⇒ <1-100> Effect 2 Effect 3 Effect 4
		⇒ Static ⇒ Dimmer Strobe ⇒ <0-255>

3.4 MODALITÀ DMX

- Premere il tasto ENTER per accedere al menu principale.
- Premere il tasto UP/DOWN per scorrere nel menu, selezionare **Connect**, quindi premere il tasto ENTER per accedere al menu successivo.
- Per impostare l'indirizzo DMX, premere il tasto MENU fino a quando sul display non appare **DMX ADDRESS**, quindi premere il tasto ENTER.
- Premere il tasto UP/DOWN per selezionare il valore desiderato (**001-512**); tenere premuto invece il tasto UP/DOWN per lo scorrimento veloce.
- Premere il tasto ENTER per confermare l'impostazione.
- Premere il tasto MENU più volte per uscire dal menu e per salvare le modifiche apportate.

Per poter comandare il ECLFRJPTU-DY con un'unità di comando luce, occorre impostare l'indirizzo di start DMX per il primo canale DMX. Se, per esempio, sull'unità di comando è previsto l'indirizzo 33 per comandare la funzione del primo canale DMX, si deve impostare sul ECLFRJPTU-DY l'indirizzo di start 33. Le altre funzioni del pannello saranno assegnate automaticamente agli indirizzi successivi. Segue un esempio con indirizzo 33 di start:

Number of DMX channels	Start address (example)	DMX Address occupied	Next possible start address for unit No. 1	Next possible start address for unit No. 2	Next possible start address for unit No. 3
1	33	33	34	35	36
2	33	33-34	35	37	39
3	33	33-35	36	39	42
5	33	33 - 37	38	43	48

3.5 CONFIGURAZIONE CANALI DMX

L'ECLFRJPTU-DY dispone di diverse configurazioni dei canali DMX a cui si può accedere dal pannello di controllo.

- Premere il tasto ENTER per accedere al menu principale.
- Premere il tasto UP/DOWN per scorrere nel menu, selezionare **Connect**, quindi premere il tasto ENTER per accedere al menu successivo.
- Premere il tasto UP/DOWN per selezionare **DMX MODE** e premere il tasto ENTER per procedere.
- Attraverso i tasti UP/DOWN selezionare la configurazione dei canali DMX che si desidera (**EASY-1Ch, BASIC-2Ch 1, BASIC-2Ch 2, BASIC-3Ch, STANDARD-5CH**). Premere il tasto ENTER per confermare.

Le tabelle a pagina 17 indicano le modalità di funzionamento e i relativi valori DMX.

3.6 SCREEN

È possibile modificare i seguenti parametri, relativi al display, seguendo la medesima procedura:

- Premere il tasto ENTER per accedere al menu principale.
- Premere il tasto UP/DOWN per scorrere nel menu, selezionare **Set Up**, quindi premere il tasto ENTER per accedere al menu successivo.
- Premere il tasto UP/DOWN per selezionare **Screen** e premere il tasto ENTER per procedere.
- Selezionare l'opzione proposta con il tasto UP/DOWN e premere il tasto ENTER per confermare.
 - **Backlight** - Retroilluminazione display Auto Off. Questa funzione permette di spegnere automaticamente la retroilluminazione del display dopo un determinato tempo che può essere impostato tramite i tasti direzionali. Per avere il display sempre acceso seleziona **On** oppure impostare un valore tra quelli indicati per far spegnere il display una volta trascorso il tempo scelto, dopo l'uscita dal menu.
 - **Flip Display** - Orientamento del display. Questa funzione permette di ruotare il display di 180° per ottenere una migliore visualizzazione del display quando l'unità è appesa a testa in giù. Selezionare **YES** per attivare la funzione oppure **NO** per disattivarla.

- Premere il tasto ENTER per confermare la scelta.
- Premere il tasto MENU più volte per uscire dal menu e per salvare le modifiche apportate.

3.7 MODALITA' DIMMER

- Per entrare nella modalità dimmer e scegliere e simulare diverse curve dimming, scorrere nel menu, selezionare l'icona **Advanced**, scorrere nel MENU fino a quando sul display non compare **DIM MODE**, quindi premere il tasto ENTER.
- Premere il tasto UP/DOWN per selezionare (**OFF - DIM1 - DIM2 - DIM3**).
- Premere il tasto ENTER per confermare la scelta.
- Premere il tasto MENU più volte per uscire dal menu e per salvare le modifiche apportate.

3.8 FREQUENZA LED

Per regolare la frequenza dei LED, Premere il tasto ENTER per accedere al menu principale.

- Premere il tasto UP/DOWN per selezionare l'icona **Advanced**, quindi premere il tasto ENTER per accedere al menu successivo.
- Premere il tasto UP/DOWN per scorrere nel menu, quindi selezionare **LED Frequency**, quindi premere il tasto ENTER.
- Selezionare il valore della frequenza (**600Hz - 1200Hz - 2000Hz - 4000Hz - 6000Hz 25kHz**) attraverso i tasti UP/DOWN.
- Per confermare premere il tasto ENTER.
- Premere il tasto MENU più volte per uscire dal menu e per salvare le modifiche apportate.

3.9 FANS MODE

Selezionare questa funzione per impostare la modalità di funzionamento delle ventole:

- Premere il tasto ENTER per accedere al menu principale.
- Premere il tasto UP/DOWN per scorrere nel menu, selezionare **Advanced**, quindi premere il tasto ENTER per accedere al menu successivo.
- Premere il tasto UP/DOWN per selezionare **Fans Mode** e premere il tasto ENTER per procedere.
- Premere il tasto UP/DOWN per selezionare la modalità Auto/On, quindi premere il tasto ENTER per confermare la scelta.
- Premere il tasto MENU più volte per uscire dal menu e per salvare le modifiche apportate.

3.10 FACTORY RELOAD

Selezionare questa funzione per ripristinare l'unità alle impostazioni di fabbrica:

- Premere il tasto ENTER per accedere al menu principale.
- Premere il tasto UP/DOWN per selezionare l'icona **Advanced**, quindi premere il tasto ENTER per accedere al menu successivo.
- Premere il tasto UP/DOWN per selezionare **Factory Reload** e premere il tasto ENTER per procedere.
- Premere i tasti UP/DOWN per selezionare **Yes** oppure **No**, quindi premere il tasto ENTER per confermare.
- Premere il tasto MENU più volte per uscire dal menu e per salvare le modifiche apportate.

3.11 INFORMAZIONI SUL DISPOSITIVO

Per visualizzare tutte le informazioni sul dispositivo procedere nel seguente modo:

- Premere il tasto ENTER per accedere al menu principale.
- Premere il tasto UP/DOWN per selezionare l'icona **Information**, quindi premere il tasto ENTER per acce-

dere al menu successivo.

- Premere il tasto UP/DOWN per scorrere nel menu, quindi selezionare una delle seguenti informazioni e premere il tasto ENTER per visualizzarla.
 - **Fixture Time** - Attraverso la funzione **Fixture Time** è possibile visualizzare sul display il tempo di funzionamento del proiettore.
 - **Software Version** - Attraverso la funzione **Version** è possibile visualizzare sul display la versione del software installata.
 - **UID** - Questa opzione mostra il numero di identificazione RDM.
- Premere il tasto MENU più volte per uscire dal menu e per salvare le modifiche apportate.

3.12 MASTER/SLAVE

- Premere il tasto ENTER per accedere al menu principale.
- Premere i tasti UP/DOWN per selezionare **Stand Alone**, quindi premere il tasto ENTER per accedere al menu successivo.
- Muoversi con il tasto UP/DOWN, selezionare **Master/Slave**, confermare la scelta con il tasto ENTER.
- Muoversi con il tasto UP/DOWN per selezionare la modalità di funzionamento:
 - **Master**, se l'unità è collegata in serie ad altre unità ed essa svolge la funzione di Master;
 - **Slave**, se l'unità non è collegata ad altre unità.
- Premere il tasto MENU più volte per uscire dal menu e per salvare le modifiche apportate.

3.13 EFFECTS

L'unità ha effetti preprogrammati che possono essere impostati tramite la seguente procedura:

- Premere il tasto ENTER per accedere al menu principale.
- Premere i tasti UP/DOWN per selezionare **Effects**, quindi premere il tasto ENTER per accedere al menu successivo.
- Premere i tasti UP/DOWN per selezionare la modalità di funzionamento: **Effects 1, Effects 2, Effects 3, Effects 4**.
- Premere il tasto ENTER per confermare la scelta
- Premere il tasto MENU più volte per uscire dal menu e per salvare le modifiche apportate.

3.14 STATIC

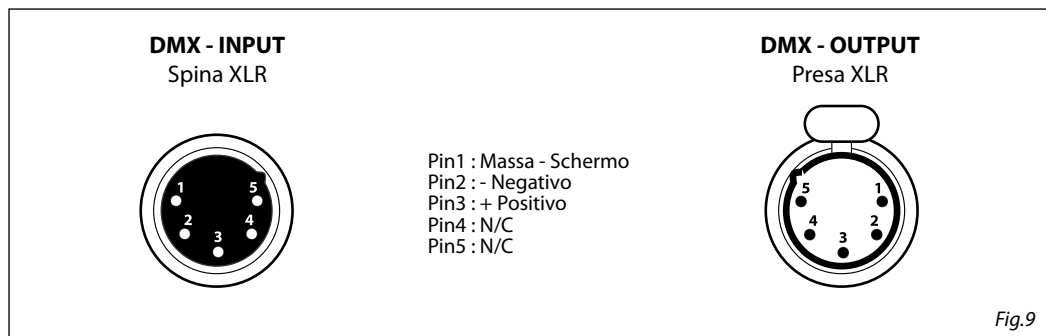
L'unità consente di creare configurazioni che possono essere impostate tramite la seguente procedura:

- Per accedere alla modalità statica statica, premere il tasto ENTER per accedere al menu principale.
- Muoversi con il tasto UP/DOWN, selezionare **Stand Alone**, confermare la scelta con il tasto ENTER.
- Muoversi con il tasto UP/DOWN, selezionare **Static**, confermare la scelta con il tasto ENTER.
- Attraverso i tasti UP/DOWN selezionare **DIMMER** o **STROBE**, quindi premere il pulsante ENTER per confermare
- mpostare il valore (000 - 255), tramite i pulsanti UP/DOWN, quindi premere il tasto ENTER button per confermare.
- Premere il tasto MENU più volte per uscire dal menu e per salvare le modifiche apportate.

3.15 COLLEGAMENTI DELLA LINEA DMX

La connessione DMX è realizzata con connettori standard XLR. Utilizzare cavi schermati, 2 poli ritorti, con impedenza 120Ω e bassa capacità.

Per il collegamento fare riferimento allo schema di connessione riportato di seguito:



ATTENZIONE

La parte schermata del cavo (calza) non deve mai essere collegata alla terra dell'impianto; ciò comporterebbe malfunzionamenti delle unità e dei controller.

Per passaggi lunghi può essere necessario l'inserimento di un amplificatore DMX.

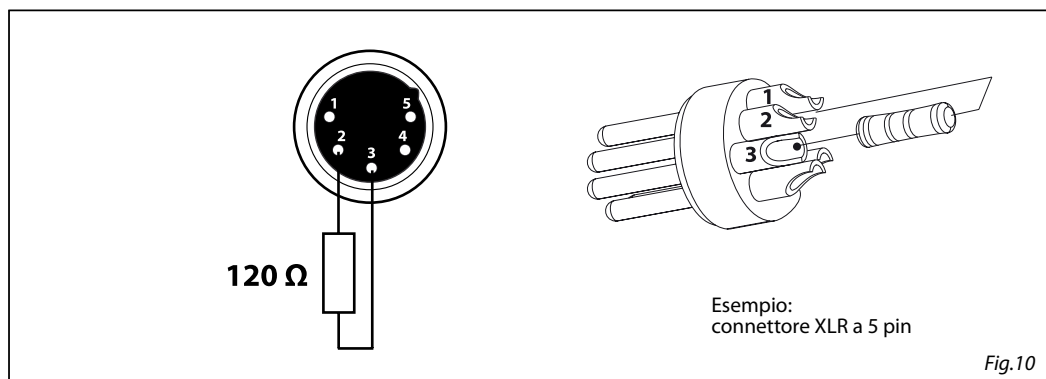
In tal caso, è sconsigliato utilizzare nei collegamenti cavo bilanciato microfonico poiché non è in grado di trasmettere in modo affidabile i dati di controllo DMX.

- Collegare l'uscita DMX del controller con l'ingresso DMX della prima unità;
- Collegare, quindi, l'uscita DMX con l'ingresso DMX della successiva unità; l'uscita di quest'ultima con l'ingresso di quella successiva e via dicendo finché tutte le unità sono collegate formando una catena.
- Per installazioni in cui il cavo di segnale deve percorrere lunghe distanze è consigliato inserire sull'ultima unità una terminazione DMX.

3.16 COSTRUZIONE DEL TERMINATORE DMX

La terminazione evita la probabilità che il segnale DMX 512, una volta raggiunta la fine della linea stessa venga riflesso indietro lungo il cavo, provocando, in certe condizioni e lunghezze, la sua sovrapposizione al segnale originale e la sua cancellazione.

La terminazione deve essere effettuata, sull'ultima unità della catena, con connettori XLR a 5 pin, saldando una resistenza di 120Ω (minimo 1/4W) tra i terminali 2 e 3, così come indicato in figura.



3.17 CANALI DMX

1 CANALE

MODE 1 Ch	FUNCTION	DMX Value
1	DIMMER 0~100%	000 - 255

3 CANALI

MODE 3 Ch	FUNCTION	DMX Value
1	DIMMER 0~100%	000 - 255
2	DIMMER FINE 0~100%	000 - 255
3	STROBE No Function Strobe slow to fast	000 - 010 011 - 255

2 CANALI 1

MODE 2 Ch1	FUNCTION	DMX Value
1	DIMMER 0~100%	000 - 255
2	DIMMER FINE 0~100%	000 - 255

5 CANALI

MODE 5 Ch	FUNCTION	DMX Value
1	DIMMER 0~100%	000 - 255
2	STROBE No Function Strobe slow to fast	000 - 010 011 - 255
3	AUTO PROGRAMS No Function Auto Program 1 Auto Program 2 Auto Program 3 Auto Program 4	000 - 010 011 - 070 071 - 130 131 - 190 191 - 255
4	AUTO SPEED Speed slow to fast	000 - 255
5	DIMMER SPEED MODE Preset dimmer speed from display menu Dimmer speed mode off Dimmer speed mode1 (fast speed) Dimmer speed mode2 (middle speed) Dimmer speed mode3 (slow speed)	000 - 051 052 - 101 102 - 152 153 - 203 204 - 255

2 CANALI 2

MODE 2 Ch2	FUNCTION	DMX Value
1	DIMMER 0~100%	000 - 255
2	STROBE No Function Strobe Slow to Fast	000 - 010 011 - 255

- 4 - MANUTENZIONE

4.1 MANUTENZIONE E PULIZIA DEL SISTEMA OTTICO

- Durante gli interventi, assicurarsi che l'area sotto il luogo di installazione sia libera da personale non qualificato.
- Spegnerne l'unità, scollegare il cavo di alimentazione ed aspettare finché l'unità non si sia raffreddata.
- Tutte le viti utilizzate per l'installazione dell'unità e le sue parti devono essere assicurate saldamente e non devono essere corrose.
- Alloggiamenti, elementi di fissaggio e di installazione (soffitto, truss, sospensioni) devono essere totalmente esenti da qualsiasi deformazione.
- I cavi di alimentazione devono essere in condizione impeccabile e devono essere sostituiti immediatamente nel momento in cui anche un piccolo problema viene rilevato.
- Si dovrebbe procedere, ad intervalli regolari, alla pulizia della parte frontale per asportare polvere, fumo e altre particelle. Solo così, la luce può essere irradiata con la luminosità massima. Per la pulizia usare un panno morbido, pulito e un detergente per vetri come si trovano in commercio. Quindi asciugare le parti delicatamente.

4.2 SOSTITUZIONE FUSIBILE

1. Assicurarsi di scollegare il cavo di alimentazione del proiettore prima di sostituire un fusibile bruciato.
2. Con un cacciavite, rimuovere il portafusibile dalla sua sede e il fusibile bruciato dal suo supporto; sostituire il fusibile con uno identico per tipologia e valore.
3. Inserire il portafusibile al suo posto e ricollegare l'alimentazione.

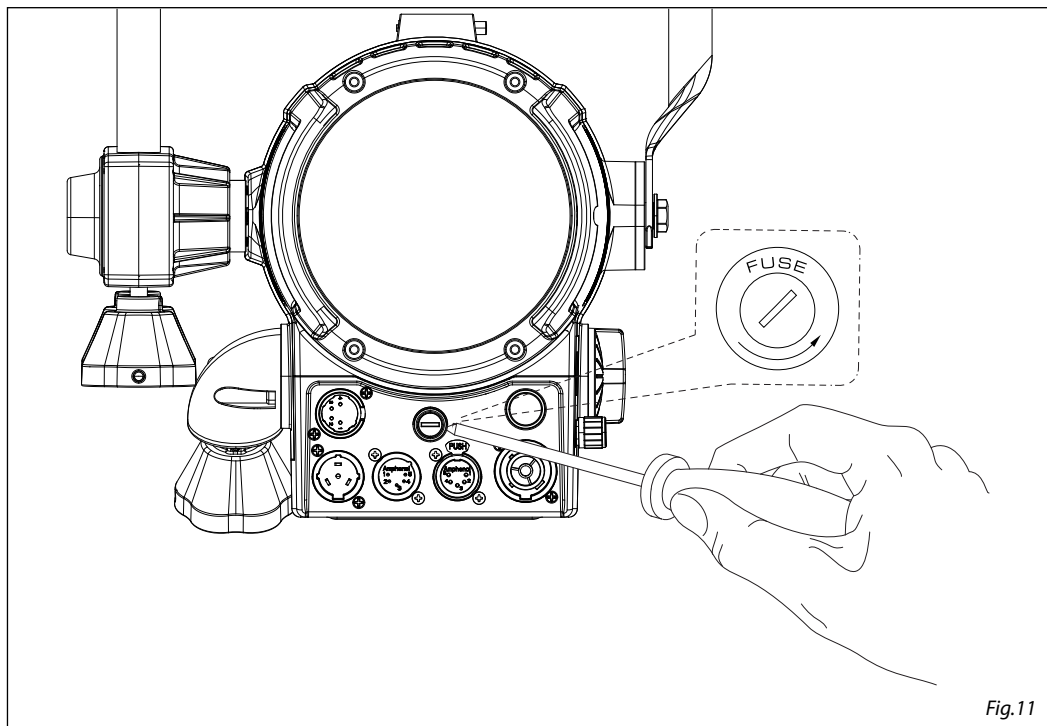
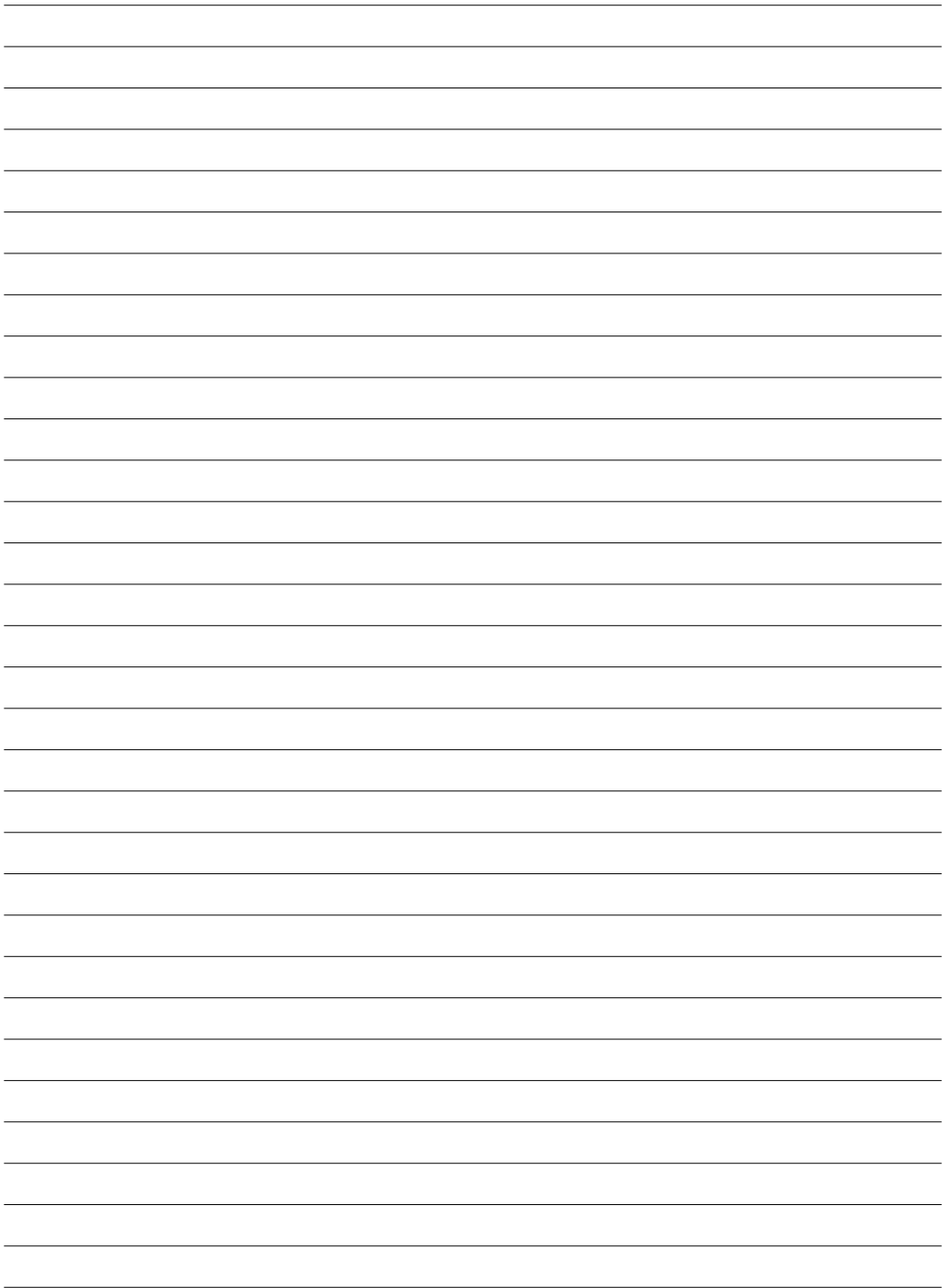


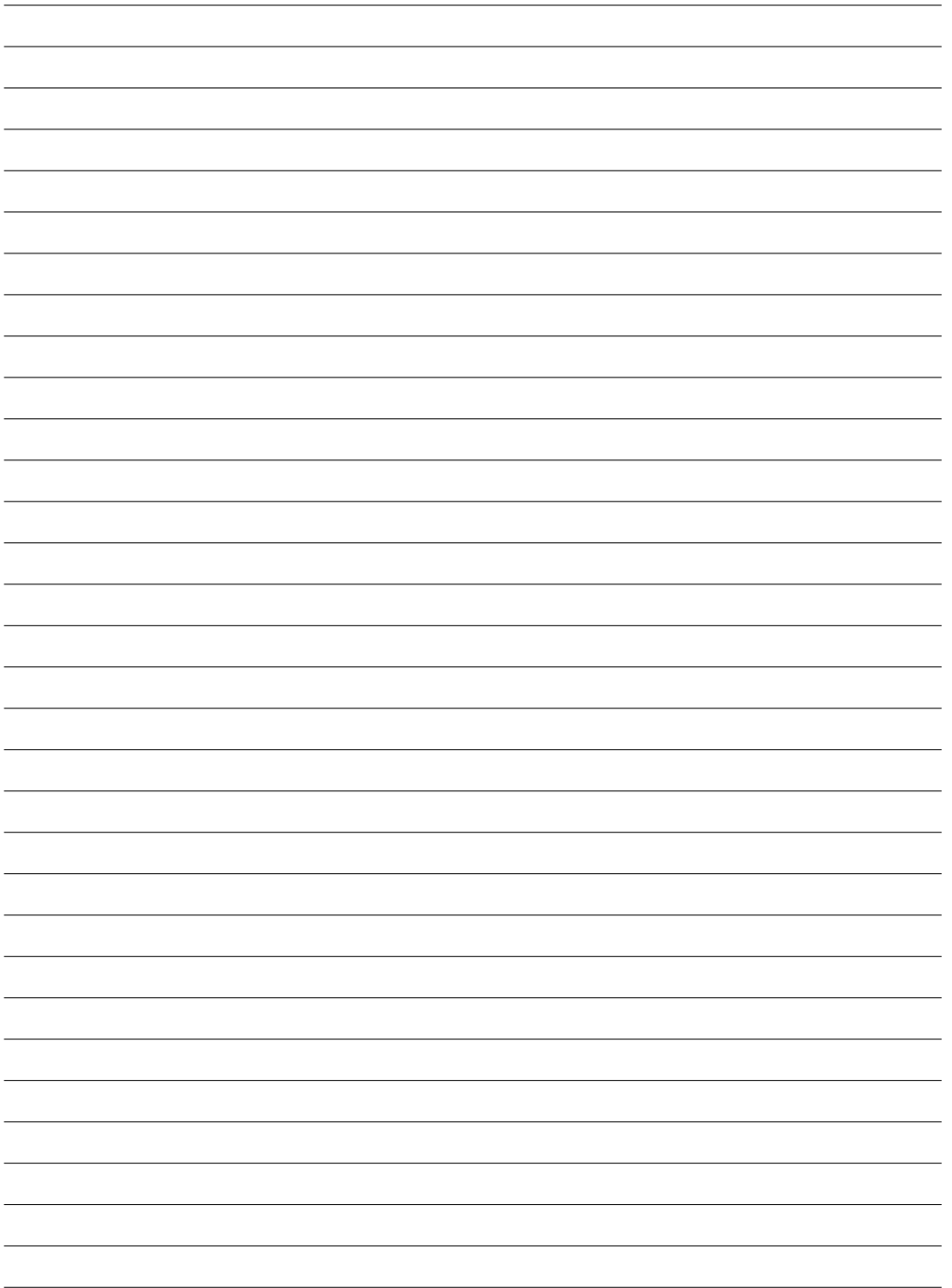
Fig.11

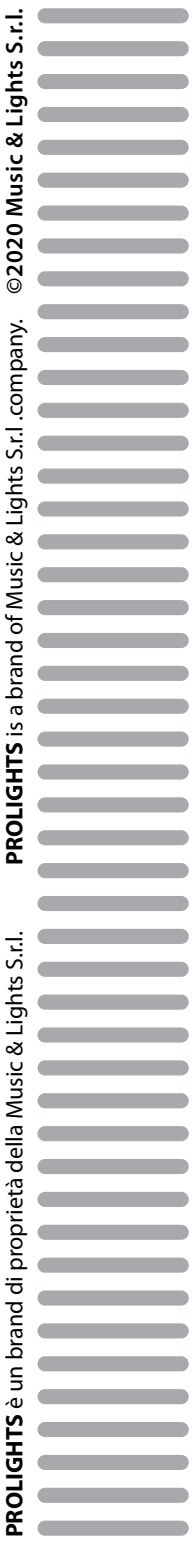
4.3 RISOLUZIONE DEI PROBLEMI

Anomalie	Possibili cause	Controlli e rimedi
Il proiettore non illumina	<ul style="list-style-type: none">• Mancanza di alimentazione di rete• Dimmer impostato a 0• LED difettoso/i	<ul style="list-style-type: none">• Verificare la presenza della tensione alimentazione• Incrementare i valori del canale dimmer• Sostituire scheda LED
Bassa intensità di luce generale	<ul style="list-style-type: none">• Lenti sporche• Lente disallineata	<ul style="list-style-type: none">• Pulire il dispositivo regolarmente• Installare il gruppo ottico correttamente
Il proiettore non è alimentato	<ul style="list-style-type: none">• Mancanza di alimentazione di rete• Cavo di alimentazione danneggiato	<ul style="list-style-type: none">• Verificare la presenza della tensione alimentazione• Controllare il cavo di alimentazione

Rivolgersi a un centro di assistenza tecnico autorizzato nel caso in cui il problema non sia riportato in tabella.







PROLIGHTS è un brand di proprietà della Music & Lights S.r.l. **PROLIGHTS** is a brand of Music & Lights S.r.l. .company. ©2020 Music & Lights S.r.l.