



Astra Hybrid420

Hybrid moving beam-spot, with a 420W
USHIO NSL421 lamp



USER MANUAL

Thank you for choosing PROLIGHTS

Please note that every PROLIGHTS product has been designed in Italy to meet quality and performance requirements for professionals and designed and manufactured for the use and application as shown in this document.

Any other use, if not expressly indicated, could compromise the good condition/operation of the product and/or be a source of danger.

This product is meant for professional use. Therefore, commercial use of this equipment is subject to the respectively applicable national accident prevention rules and regulations.

Features, specifications and appearance are subject to change without notice. Music & Lights S.r.l. and all affiliated companies disclaim liability for any injury, damage, direct or indirect loss, consequential or economic loss or any other loss occasioned by the use of, inability to use or reliance on the information contained in this document.

Product user manual can be downloaded from the website www.prolights.it, or can be inquired to the official PROLIGHTS distributors of your territory (https://www.prolights.it/sales_network.html).

Scanning the below **QR Code**, you will access the download area of the product page, where you can find a broad set of always updated technical documentation: specifications, user manual, technical drawings, photometrics, personalities, fixture firmware updates.



Visit the download area
of the product page



The PROLIGHTS Logo, PROLIGHTS names and all other trademark in this document pertaining to PROLIGHTS services or PROLIGHTS product are trademarks OWNED or licensed by Music & Lights S.r.l., its affiliates, and subsidiaries. PROLIGHTS is a registered trademark by Music & Lights S.r.l. All right reserved. Music & Lights – Via A. Olivetti, snc - 04026 - Minturno (LT) ITALY.

INDEX

SAFETY INFORMATION	02
1 - PACKAGING	05
PACKAGE CONTENT	05
OPTIONAL ACCESSORIES	05
2 - TECHNICAL DRAWING	05
3 - PAN AND TILT LOCK	06
4 - INSTALLATION	07
MOUNTING	07
5 - CONNECTION TO THE MAINS SUPPLY	08
6 - START UP	08
CONNECT AND DISCONNECT POWER FROM THE PRODUCT	08
7 - PRODUCT OVERVIEW	09
8 - DMX CONNECTION	10
CONNECTION OF THE CONTROL SIGNAL: DMX LINE	10
INSTRUCTIONS FOR A RELIABLE DMX CONNECTION	10
CONNECTION DAISY CHAIN	10
CONNECTION OF THE DMX LINE	10
CONSTRUCTION OF THE DMX TERMINATION	11
DMX ADDRESSING	11
ETHERNET CONNECTION	11
ETHERNET OPERATION	11
ETHERNET TO DMX OPERATIONS	12
OPERATION AS A WIRELESS TRANSMITTER	12
IN TO WDMX	12
OPERATION AS A WIRELESS RECEIVER	13
WDMX TO DMX (RX)	13
9 - CONTROL PANEL	14
DISPLAY AND BUTTONS LAYOUT	14
10 - MENU STRUCTURE	15
11 - SHORTCUT	19
12 - RDM FUNCTIONS	20
13 - DMX CHARTS	22
RDM Personality ID List	22
DMX Chart Summary	22
RDM Model ID	22
14 - FIXED GOBOS WHEEL	28
15 - ROTATING GOBOS WHEEL	29
16 - COLOR WHEEL	30
17 - LAMP REPLACEMENT	31
CENTERING SYSTEM OF THE LAMP	32
18 - ERROR MESSAGES	33
19 - PERIODICAL CLEANING	35
20 - GOBOS REPLACEMENT	36
21 - MAINTENANCE	37
MAINTENANCE AND CLEANING THE PRODUCT	37
REPLACING THE FUSE	37
VISUAL CHECK OF PRODUCT HOUSING	37
TROUBLESHOOTING	38

SAFETY INFORMATION



WARNING!

- Please read carefully the instruction reported in this section before installing, powering, operating or servicing the product and observe the indications also for its future handling.



This unit is not for household and residential use, only professional applications.



Connection to mains supply

- The Connection to the mains supply must be carried out by a qualified electrical installer.
- Use only AC supplies 100-240V 50-60 Hz, the fixture must be electrically connected to ground (earth).
- Select the cable cross section in according with the maximum current draw of the product and the possible number of products connected at the same power line.
- The AC mains power distribution circuit must be equipped with magnetic+residual current circuit breaker protection.
- Do not connect it to a dimmer system; doing so may damage the product.



Protection and Warning against electrical shock

- Do not remove any cover from the product, always disconnect the product from AC power before servicing.
- Ensure that the fixture is electrically connected to ground (earth). And use only a source of AC power that complies with local building and electrical codes and has both overload and ground-fault (earth-fault) protection.
- Before using the fixture, check that all power distribution equipment and cables are in perfect condition and rated for the current requirements of all connected devices.
- Isolate the fixture from power immediately if the power plug or any seal, cover, cable, or other components are damaged, defective, deformed or showing signs of overheating.
- Do not reapply power until repairs have been completed.
- Refer any service operation not described in this manual to PROLIGHTS Service team or an authorized PROLIGHTS service center.



Installation

- Make sure that all visible parts of the product are in good visible condition before its use or installation.
- Make sure the point of anchorage is stable before positioning the projector.
- When suspending the fixture above ground level, secure it against failure of primary attachments by attaching a safety cable that is approved as a safety attachment for the weight of the fixture to the attachment point on the main frame of the product. In case the safety cable, enter in action, it needs to be replaced with a new one.
- Install the product only in well ventilated places.
- For non temporary installations, ensure that the fixture is securely fastened to a load-bearing surface with suitable corrosion-resistant hardware.
- For a temporary installation with clamps, ensure that the quarter-turn fastener and/or screws are turned fully, and secured with a suitable safety cable.



Minimum distance of illuminated objects

- The projector needs to be positioned so that the objects hit by the beam of light are at least 3.5 meters (11.483 ft) from the lens of the projector.

T_a 45°C

Max operating ambient temperature (T_a)

- Do not operate the fixture if the ambient temperature (T_a) exceeds 45 °C (113 °F).

T_a-10°C

Minimum operating ambient temperature (T_a)

- Do not operate the fixture if the ambient temperature (T_a) is below -10 °C (14 °F).



Protection from burns and fire

- The exterior of the fixture becomes hot during use. Avoid contact by persons and materials.
- Ensure that there is free and unobstructed airflow around the fixture.
- Keep flammable materials well away from the fixture.
- Do not expose the front glass to sunlight or any other strong light source from any angle. Lenses can focus the sun's rays inside the fixture, creating a potential fire hazard.
- Do not attempt to bypass thermostatic switches or fuses.



Indoor use

- This product is designed for indoor and dry environments.
- Do not use in wet location and do not expose the fixture to rain or moisture.
- Never use the fixture in places subject to vibrations or bumps.
- Make certain that no inflammable liquids, water or metal objects enter the fixture.
- Excessive dust, smoke fluid, and particle build up degrades performance, causes overheating and will damage the fixture.
- Damages caused by inadequate cleaning or maintenance are not covered by the product warranty.



Light collimation optical system

- This product contains internal light collimation optical system. Avoid to expose the optical system to any intense source of light (including sunlight) from any angle.

T_c116°C

Temperature of the external surface

- The surface of the fixture can reach up to 116 °C (240.8 °F) during operation. Avoid contact with people and materials.



Lamp

The fitting mounts a high-pressure lamp that needs an external ignitor. This ignitor is fitted onto the apparatus.

1. Carefully read the "operating instructions" provided by the lamp and ignitor manufacturer.
2. Immediately replace the lamp if damaged or deformed by heat.



Photobiological safety

- This device emits potentially dangerous optical radiation and is identified in the category of Risk Group 2 according to EN 62471.



Radio receiver

- This product contains a radio receiver and/or transmitter:
- Maximum output power: 17 dBm.
- Frequency band: 2.4 GHz.



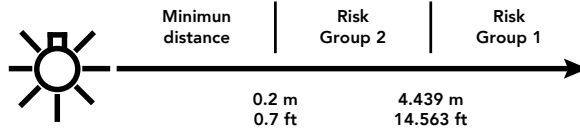
Maintenance

- Warning! Disconnect the fixture from AC mains power and allow to cool for at least 10 minutes before handling.
- Only technicians who are authorized by PROLIGHTS or Authorised service partners are permitted to open the fixture.
- Users may carry out external cleaning, following the warnings and instructions provided, but any service operation not described in this manual must be referred to a qualified service technician.
- Important! Excessive dust, smoke fluid, and particle build up degrades performance, causes overheating and will damage the fixture. Damages caused by inadequate cleaning or maintenance is not covered by the product warranty.



Do not stare at the operating light source

- Do not look directly at the LED source during operation. It can be harmful to the eyes and skin.
- During Installation, operation and maintenance, be prepared for the fixture to light and move suddenly when connected to power.
- The device should be positioned so that prolonged staring into the luminaire at a distance closer than 4.439 m (14.563 ft) is not expected.



Disposal

- This product is supplied in compliance with European Directive 2012/19/EU – Waste Electrical and Electronic Equipment. (WEEE). To preserve the environment please dispose/ recycle this product at the end of its life according to the local regulation.



The product contains a lithium ion battery

- Don't throw the unit into the garbage at the end of its lifetime.
- Make sure to dispose according to your local ordinances and/or regulations, to avoid polluting the environment!
- The packaging is recyclable and can be disposed.



The products to which this manual refers comply with:

- 2014/35/EU - Safety of electrical equipment supplied at low voltage (LVD);
- 2014/30/EU - Electromagnetic Compatibility (EMC);
- 2011/65/EU - Restriction of the use of certain hazardous substances (RoHS);
- 2014/53/EU - Radio Equipment Directive (RED).



The products to which this manual refers comply with:

- UL 1573 + CSA C22.2 No. 166 - Stage and Studio Luminaires and Connector Strips.
- UL 1012 + CSA C22.2 No. 107.1 - Standard for power units other than class 2.



FCC Compliance:

- This device complies with Part 15 of the FCC Rules. Operation is subject to the following two conditions:
- 3. This device may not cause harmful interference, and
- 4. This device must accept any interference received, including interference that may cause undesired operation.



Other approvals

- The product meets the safety requirements of the certification procedures of the market in which it is placed and sold.

1 - PACKAGING

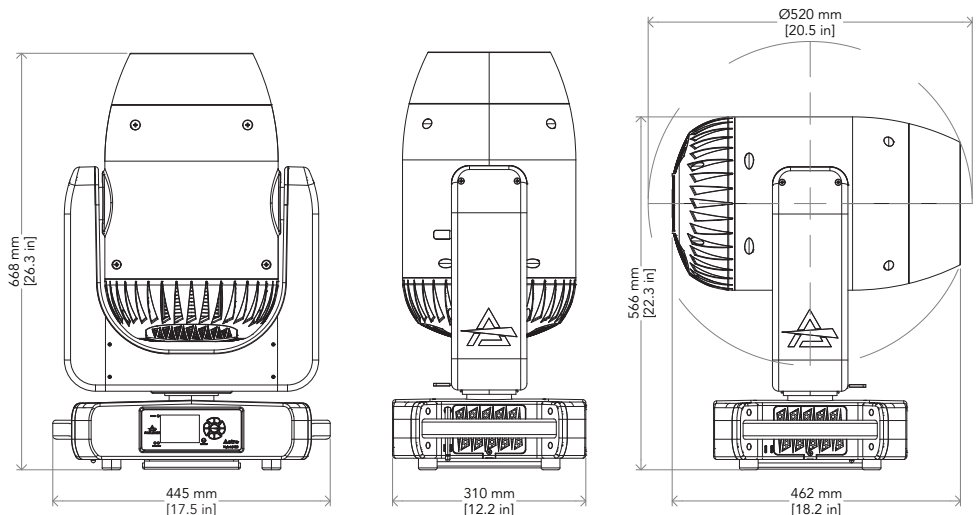
PACKAGE CONTENT

- 1x ASTRAHYB420;
- 1x 1,5 meters power cable (BARE END - NEUTRIK POWERCON TRUE1 IP65);
- 2x OS24;
- User Manual.

OPTIONAL ACCESSORIES

- WSBBR512G6: blackBox R-512 G6 receiver 512Ch, 2.45GHz,DMX&RDM,Bluetooth,G3,G4,G4S,G5,CRMX;
- WSBBR512G5: blackBox R-512 G5 receiver 512Ch, 2.45GHz & 5.8GHz, DMX/RDM optional;
- WSBBF1G6: blackBox F-1 G6 transrec, 512ch, 2.45GHz, DMX&RDM,Bluetooth,G3,G4,G4S, G5, CRMX;
- WSBBF1G5: blackBox F-1 G5 transmitter, 2,45GHz & 5.2/5,8 GHz, DMX/RDM, 512Ch;
- TOUR53415L03BK: dmx cable HC5340. CANCEMXX XLR 5p->CANCEFFX XLR (f) 5p, L.3m;
- 958225L03: 3x2.5mm TH07 Cable, 16A 3p PwCon MXW, 16A 3p PwCon FXW, L. 3m;
- 9513FXWL03: ass. 3x2.5mm TH07 cable, 16A 3p 230V CEE plug, MENAC3FXW socket, L.3 m;
- 9533FXWL03: ass. 3x2.5mm TH07 cable, SHUKO plug, MENAC3FXW socket, L.3m;
- RSR0670A/B: steel security cable for hanging bodies, inox steel shackle, L=60 cm, silver/black;
- C6002: Slim aluminium clamp, 200 kg loading, 48-51 mm tubes, M10 bolt;
- FCLASTRAH380: flight case for 2 pcs of ASTRAHYB380;
- OS24: quick-lock omega bracket;
- UPBOX2: Firmware uploader kit, USB IN, 3-pin XLR DMX OUT.

2 - TECHNICAL DRAWING

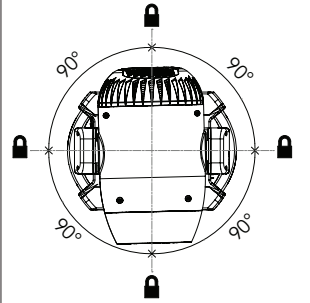
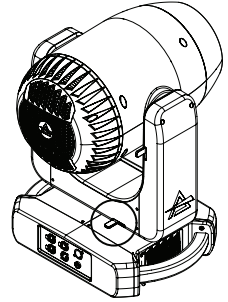
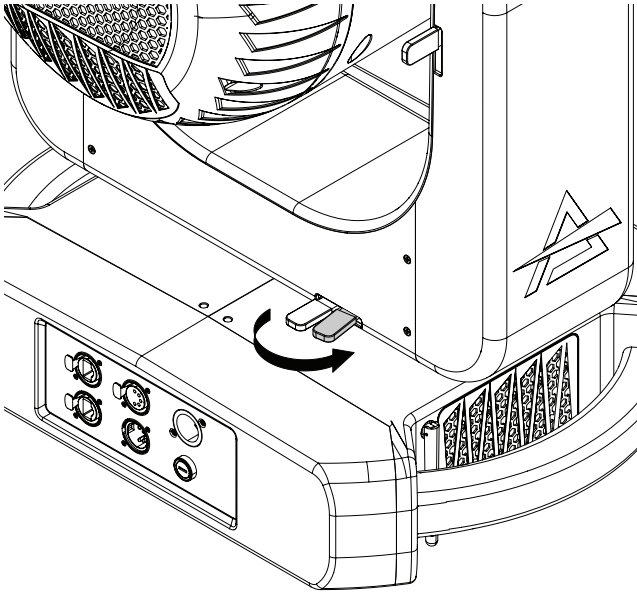


Weight: 26.2 kg - 11.88 lbs

Fig. 01

3 - PAN AND TILT LOCK

PAN Mechanism lock and release



TILT Mechanism lock and release

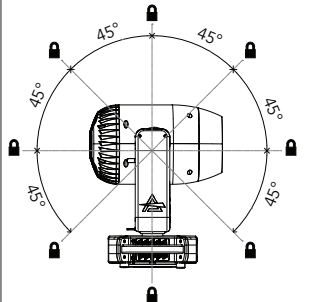
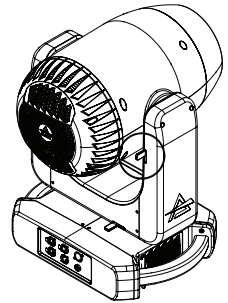
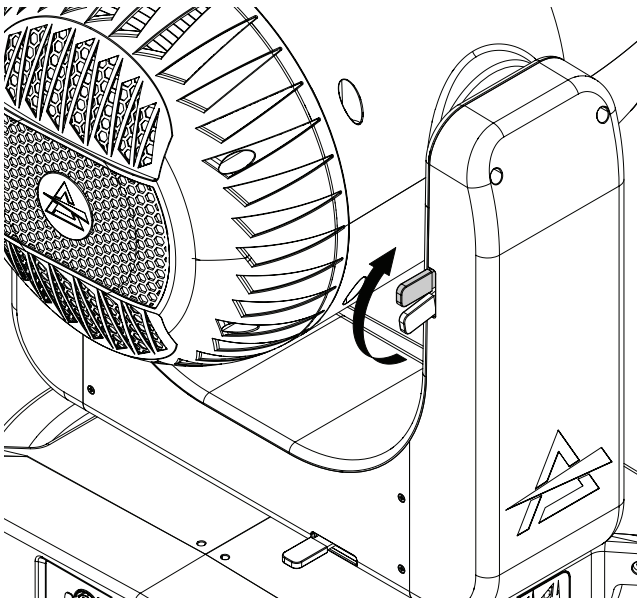


Fig. 02

4 - INSTALLATION

MOUNTING

Check that the supporting structure can safely bear the weight of all installed fixtures, clamps, cables, auxiliary equipment, etc. and complies with locally applicable regulations.

When suspending the fixture above ground level, secure it against failure of primary attachments by attaching a safety wire that is approved as a safety attachment for the weight of the fixture to an anchor point on the product main frame.

Do not use removable parts or weak anchors for secondary attachment.

Warning! When clamping the fixture to a truss or other structure at any angle, use clamps of half-coupler type. Do not use any type of clamp that does not completely encircle the structure when fastened.

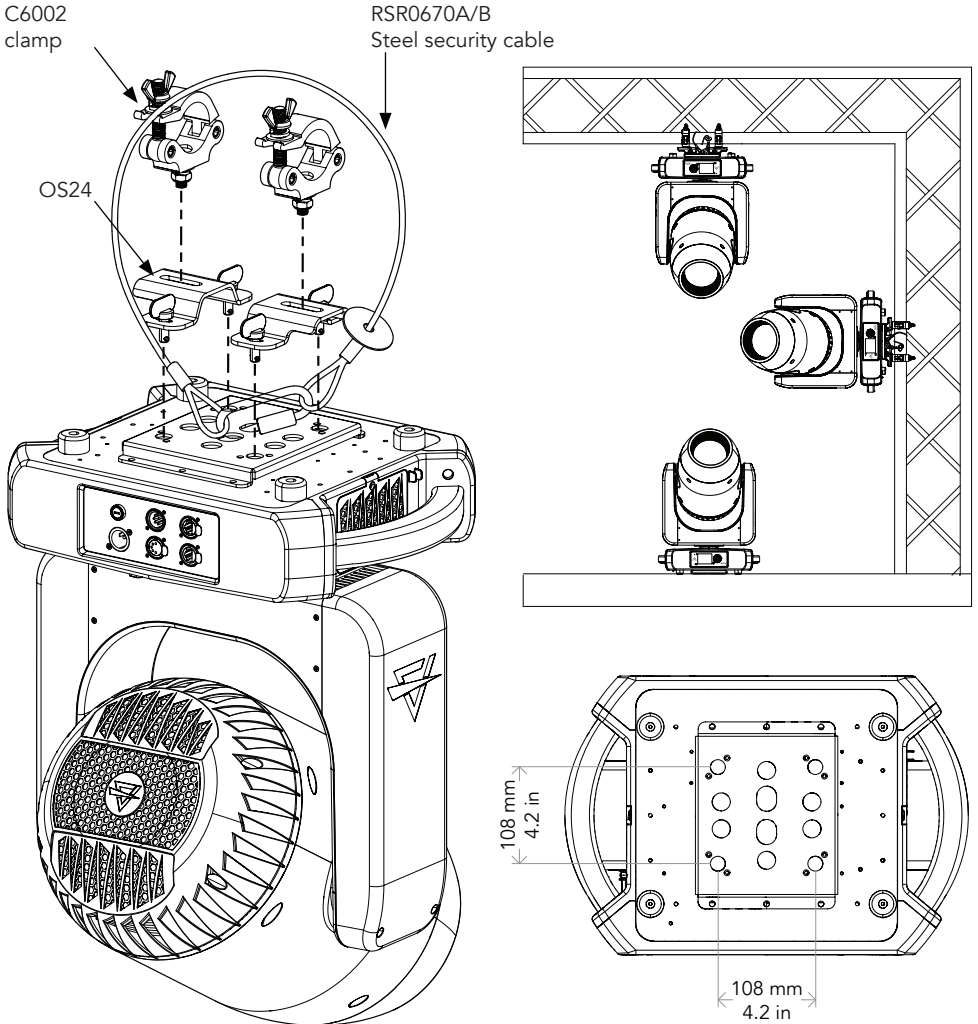


Fig. 03


5 - CONNECTION TO THE MAINS SUPPLY

WARNING: For protection from electric shock, the fixture must be earthed!

The product is equipped with auto-switching power supply that automatically adjusts to any 50-60Hz AC power source from 100-240 Volts.

If you need to install a power plug on the power cable to allow connection to power outlets, install a grounding-type (earthed) plug, following the plug manufacturer's instructions. If you have any doubts about proper installation, consult a qualified electrician.

The max power consumption is 540W.

Core (EU)	Core (US)	Connection	Plug terminal marking
Brown	Black	Live	L
Blue	White	Neutral	N
Yellow+green	Green	Earth	

6 - START UP

CONNECT AND DISCONNECT POWER FROM THE PRODUCT

To apply and disconnect power to the product:

- Check that the product is installed and secured as indicated in the Safety Informations, and that personal safety will not be put at risk when the fixture lights up.
- Connect the power connector into the Mains input socket (100-240 VAC-50/60 Hz).
- The product is then ready for its operations and can be controlled through the available input signals on board.
- To disconnect power from the product, disconnect the Mains from the socket.

7 - PRODUCT OVERVIEW

1. SAFETY EYE to attach safety cable.
2. USER INTERFACE with display and buttons for access to the control panel functions.
3. ETHERCON CONNECTORS IN / OUT signal.
4. DMX IN (5-p XLR): 1 = GND, 2 = sign-, 3 = sign+, 4 N/C, 5 N/C.
5. DMX OUT (5-p XLR): 1 = GND, 2 = sign-, 3 = sign+, 4 N/C, 5 N/C.
6. MAIN FUSE HOLDER: replace a burnt-out fuse by one of the same type only (T3.15A 250V).
7. POWER IN: for connection to the Mains 100-240V~/50-60Hz.
8. ANTENNA of Wireless DMX Receiver internal module.
9. PAN Mechanism lock and release.
10. TILT Mechanism lock and release.

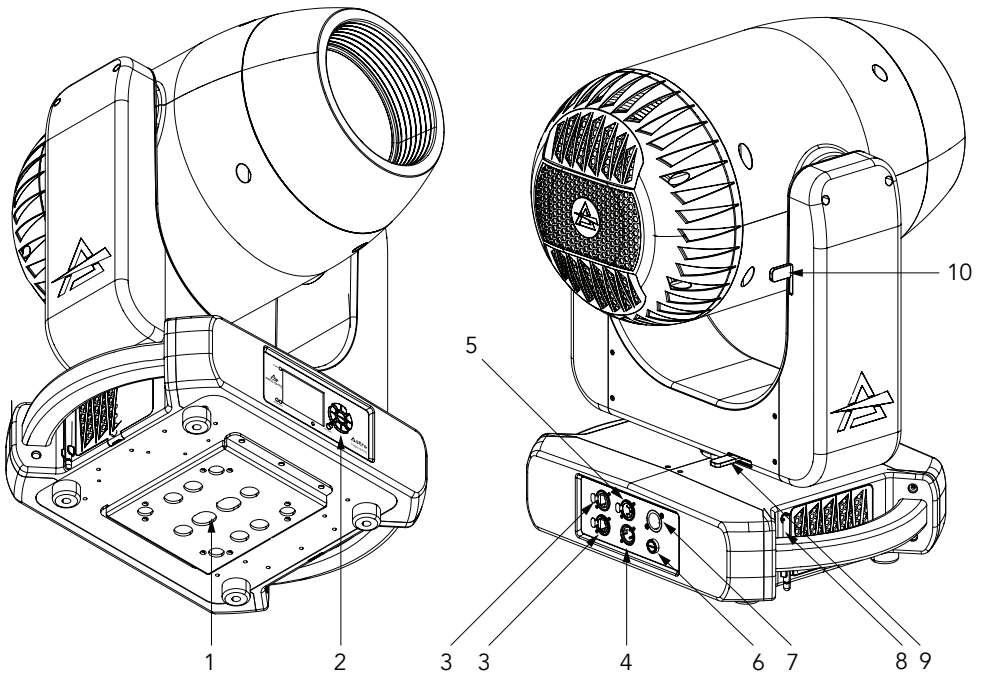


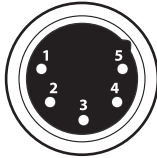
Fig. 04

8 - DMX CONNECTION

CONNECTION OF THE CONTROL SIGNAL: DMX LINE

The product has XLR sockets for DMX input and output.
The default pin-out on both socket is as the following diagram:

DMX - INPUT XLR plug



- Pin1 : GND - Shield
- Pin2 : - Signal
- Pin3 : + Signal
- Pin4 : N/C
- Pin5 : N/C

DMX - OUTPUT XLR socket

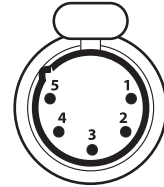


Fig. 05

INSTRUCTIONS FOR A RELIABLE DMX CONNECTION

Use shielded twisted-pair cable designed for RS-485 devices: standard microphone cable cannot transmit control data reliably over long runs. 24 AWG cable is suitable for runs up to 300 meters (1000 ft). Heavier gauge cable and/or an amplifier is recommended for longer runs.
To split the data link into branches, use splitter-amplifiers in the connection line.
Do not overload the link. Up to 32 devices may be connected on a serial link.

CONNECTION DAISY CHAIN

Connect the DMX data output from the DMX source to the product DMX input (male connector XLR) socket.
Run the data link from the product XLR output (female connector XLR) socket to the DMX input of the next fixture.
Terminate the data link by connecting a 120 Ohm signal termination. If a splitter is used, terminate each branch of the link.
Install a DMX termination plug on the last fixture on the link.

CONNECTION OF THE DMX LINE

DMX connection employs standard XLR connectors. Use shielded pair-twisted cables with 120Ω impedance and low capacity.
The following diagram shows the connection mode:

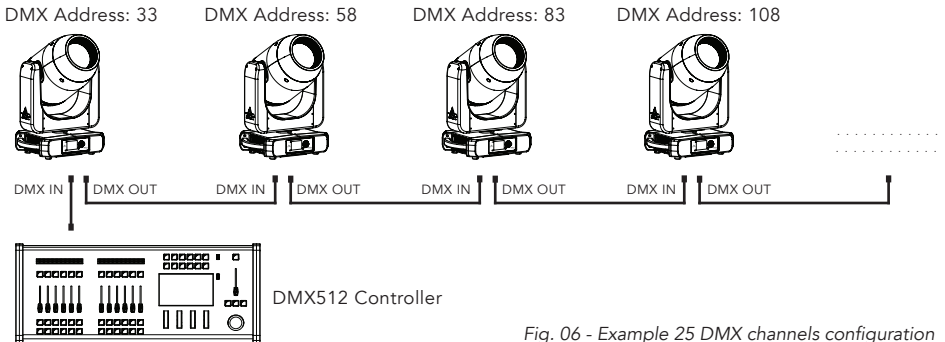


Fig. 06 - Example 25 DMX channels configuration

CONSTRUCTION OF THE DMX TERMINATION

The termination is prepared by soldering a 120Ω 1/4 W resistor between pins 2 and 3 of the male XLR connector, as shown in figure.

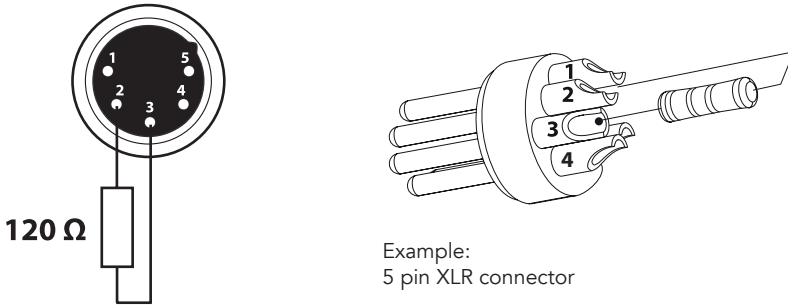


Fig. 07

DMX ADDRESSING

In order to start controlling the product via DMX, the first step is to select a DMX address, also known as the start channel, this is the first channel used to receive instructions from a DMX controller. If you wish to control the product individually, it is necessary to assign a different starting address channel to each fixture.

The number of channels occupied from the product depends on the DMX mode selected, so always verify the DMX Mode in the MENU before start addressing.

If you assign two fixtures the same address, they will be executing the same behaviour. Selecting the same address to multiple fixtures can be useful for diagnostic purposes and symmetrical control.

DMX addressing is limited to make it impossible to set the DMX address so high that you are left without enough control channels for the product.

To set the fixture's DMX address:

1. Press ENTER to open the main menu.
2. Reach the addressing menu, then select the DMX ADDRESS settings.
3. Select the address from 1 to 512 using the navigation arrows/buttons and confirm by pressing ENTER.
4. Press Menu to exit and return to the Home screen.

ETHERNET CONNECTION

The product is provided with two 8-pin RJ-45 sockets for Ethernet input/output for a simple daisy chain connection to the network.

The product can be controlled with ArtNet (or others available) communication protocol.

Use a network cable category 5 (with four "twisted" wire pairs) and standard RJ-45 plugs.

ETHERNET OPERATION

Please refer to the section MENU STRUCTURE contained in this document for detailed information about the parameters of setting on the fixture (Protocol, Net, Subnet, Universe, Start Channel and IP Address, Ethernet to DMX No/Yes).

- About the IP addresses it is recommended to set 002.xxx.xxx.xxx or 010.xxx.xxx.xxx.
- The subnet mask is fixed at 255.0.0.0.

ETHERNET TO DMX OPERATIONS

Please refer to the section MENU STRUCTURE contained in this document for detailed informations. This function allow a product receiving an ethernet signal protocol to re-transmit the incoming signal onto a wired DMX line through its onboard XLR-out connector.

- An Ethernet protocol (Artnet, sACN or others available) has to be enabled from Ethernet menu at first fixture. **Please make sure that wireless receiver is switched to OFF if you use Ethernet communication.**
- Enable the option Ethernet To DMX from the Ethernet menu at the first product (connected to the Ethernet) in the signal chain, next products have standard DMX setting.
- Connect the Ethernet input of the first product in the data chain with the network. Connect the DMX output of this product with the input of the next product until all products are connected to the DMX chain.
- Caution: At the last product, the DMX chain has to be terminated with a terminator. Solder a 120 Ω resistor between Signal (-) and Signal (+) into a XLR-plug and connect it in the DMX-output of the last product.

OPERATION AS A WIRELESS TRANSMITTER

ASTRAHYB420 can be used as wireless transmitter to transmit DMX signal to different wireless receivers. To use ASTRAHYB420 as wireless transmitter, please follow the procedure below:

1. Push ENTER button until you show CONNECT on display, then press ENTER button to confirm.
2. Use UP/DOWN buttons for select WIRELESS, then press ENTER to confirm.
3. Push ENTER button on WDMX ON/OFF function and enable it to ON.
4. Select WDMX mode and set it on Transmitter (please note that WDMX mode will be available only if WDMX ON/OFF is set to ON).
5. Ensure that the receiver units are not connected to any other transmitter. Please refer to "Reset the receiver" paragraph.
6. Enable TX LINK to ON to link transmitter to receivers (please note that TX LINK will be available only if WDMX mode is set to Transmitter).
 - The transmitter scans for all unlinked receivers for a period of about 5 seconds.
 - If the connection fails, check the position of the receiver.
 - The wireless icon on the receiver display indicates the received signal strength.

Unlinking the transmitter

Follow the procedure below to unlink the transmitter from all receivers connected with the unit.

1. Push ENTER button until you show CONNECT on display, then press ENTER button to confirm.
2. Use UP/DOWN buttons for select Wireless, then press ENTER to confirm.
3. Enable TX UNLINK to ON 8 (please note that TX UNLINK will be available only if WDMX mode is set to Transmitter).
 - All connected receivers will be unlinked.

IN TO WDMX

This function enable or disable the transmission through wireless of the DMX signal from the transmitter side to the receiver.

Any incoming signal (ArtNet, sACN or DMX) is retransmitted through wireless.

If the ASTRAHYB420 protocol selected is ArtNet / sACN, the WDMX module will retransmit the DMX values contained in the ArtNet / sACN signal received from the ASTRAHYB420.

NOTE: Artnet and sACN have higher priority on DMX if they are connected to transmitter.

OPERATION AS A WIRELESS RECEIVER

ASTRAHYB420 can be used as wireless receiver connected to a wireless transmitter.

To use ASTRAHYB420 as wireless receiver, please follow the procedure below:

1. Push ENTER button until you show CONNECT on display, then press ENTER button to confirm.
2. Use UP/DOWN buttons for select Wireless, then press ENTER to confirm.
3. Push ENTER button on WDMX ON/OFF function and enable it to ON.
4. Select WDMX mode and set it on Receiver (please note that WDMX mode will be available only if WDMX ON/OFF is set to ON).
5. Enable RX RESET to ON to reset the receiver (please note that RX RESET will be available only if WDMX mode is set to Receiver).
6. On the transmitter, enable TX LINK to ON to link transmitter to the receivers.
7. If the connection is successful and DMX input is available the display the display on the receiver unit will shows the DMX address. If DMX signal is not available, the display will shows "No signal" but keeps the transmitter linked.
8. If the connection fails, check the position of the receiver.
9. The wireless icon on the receiver display indicates the received signal strength.

Reset the receiver

Follow the procedure below to reset the receiver.

1. Push MENU button until you show CONNECT on display, then press ENTER button to confirm.
2. Use UP/DOWN buttons for select Wireless, then press ENTER to confirm.
3. Enable RX RESET to ON.
- The wireless icon on the receiver display indicates the received signal strength.

WDMX TO DMX (RX)

This function enable or disable the retransmission of the wireless DMX signal received through the DMX port on the receiver side.

9 - CONTROL PANEL

The product has a display and buttons for access to the control panel functions.

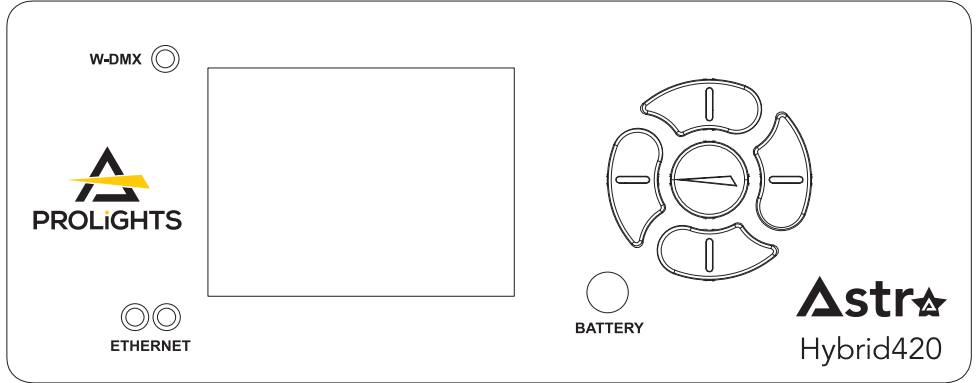


Fig. 08

DISPLAY AND BUTTONS LAYOUT

The product has a display and buttons for access to the control panel functions:

	<p>1 </p> <p>2 </p> <p>3 </p> <p>4 </p> <p>5 </p>	<ul style="list-style-type: none"> • Browse upwards through the menu list and increases the numeric value displayed. • Return to the top level. • Browse downwards through the menu list and decreases the numeric value displayed. • Commute from units, tens, hundred in the menu. • Used to access the menu tree or to return a previous menu window.
<p> BATTERY</p>	<ul style="list-style-type: none"> • To switch on the display through the battery. 	
<p>W-DMX </p>	<ul style="list-style-type: none"> • LED indicator for Wireless dmx (color red and green). 	
<p> ETHERNET</p>	<ul style="list-style-type: none"> • LED indicator for Ethernet network.(color orange). 	

10 - MENU STRUCTURE

The following chart describes the MENU tree of the product, the terms shown in **BOLD** indicates the default settings.

MENU							
1	CONNECT	ADDRESS	DMX / WDMX	001-512			
			sACN	001-512			
			ARTNET	001-512			
		DMX MODE	STANDARD			Set DMX chart for Main Fixture.	
		WIRELESS	WDMX ON/OFF	ON/OFF		Enable/Disable the wireless card.	
			WDMX MODE	TRANSMITTER/ RECEIVER		Allows to choose whether to set the wireless on the Transmitter or Receiver. WDMX mode is unlocked only if WDMX ON / OFF is ON.	
			TX LINK	ON/OFF		TX link unlock when the unit is set as a transmitter..	
			TX UNLINK	ON/OFF		Disconnect the transmitter from all receivers. TX unlink unlocks only if WDMX mode is on transmitter.	
			RX RESET	ON/OFF		Total reset of the receiver. RX reset unlocks only if WDMX mode is receiver.	
			IN TO WDMX (TX)	ON/OFF		Enable/Disable the transmission of the DMX values via wdmx.	
			WDMX TO DMX (RX)	ON/OFF		Enable/Disable the retransmission of the DMX from the receiver to the other units connected by cable to the receiver itself.	
			ETHERNET SETTING	ARTNET SETTINGS	IP ADDRESS		Set IP address of the fixture.
					NET		Set Net for ArtNet protocol.
		SUBNET				Set Subnet for ArtNet protocol.	
		UNIVERSE				Set Universe for ArtNet protocol.	
		sACN SETTINGS		IP ADDRESS		Set IP address of the fixture.	
				UNIVERSE		Set Universe for sACN protocol.	
				MERGE MODE	OFF /HTP/ LTP	Set Merge Mode for sACN protocol.	
		ETHERNET TO DMX		ON		Enable / Disable DMX retransmission from sACN/ArtNet signal to DMX out port.	
				OFF			

2	SETUP	SCREEN	BACKLIGHT	ON		Allows you to select the timing after that display will switch automatically off when inactive.	
				10 s			
				20 s			
				30 s			
			FLIP DISPLAY	ON		Allows you to rotate the display by 180°.	
				OFF			
				AUTO			
			KEY LOCK	ON		Allows you lock the buttons on the control panel by a password. Press following combinations (password) in order to access to the user menu : UP, DOWN, UP, DOWN.	
				OFF			
			MOVEMENT	PAN REVERSE	ON		Allows you to reverse Pan movement.
					OFF		
				TILT REVERSE	ON		Allows you to reverse Tilt movement.
		OFF					
		PAN/TILT FEEDBACK		ON		To activate / deactivate the reading of the feedbacks given by the encoders.	
				OFF			
		PAN/TILT MODE		SLOW		To choose the horizontal/ vertical movement speed.	
				MEDIUM			
				FAST			
		MOVEMENT BLACKOUT		ON		Make fixture goes blackout while moving	
				OFF			
		HOME POSITION		STANDARD		To choose the home position.	
			CUSTOM				
		CUSTOM P DEGREE	0°		To choose pan values in case of Custom position.		
			...				
			315°				
		CUSTOM T DEGREE	0%		To choose tilt values in case of Custom position.		
			...				
			100%				
		FIXTURE SETTINGS	LAMP	TURN ON/OFF		To turn the lamp on or off.	
				AUTOMATIC ON/OFF		To set Auto-on of the lamp after initial reset.	
			COLOR WHEEL BLACKOUT	ON/OFF		To set Color Wheel Movement in blackout mode.	
			COLOR WHEEL MODE	STEP		To set Color Wheel Movement scrolling mode.	
			COUNTINUOUS				
GOBO WHEEL BLACKOUT	ON/OFF			To set Gobo Wheel Movement in blackout mode.			
GOBO WHEEL MODE	STEP			To set Gobo Wheel Movement scrolling mode.			
	COUNTINUOUS						
DMX FAULT	HOLD			To choose the behaviour of fixture in case of dmx signal lost.			
BLACKOUT							
STATUS LED	ON		To turn the status LEDs on the front panel on or off.				
	OFF						
INVERT ZOOM	ON		Invert zoom values.				
	OFF						
TRANSFER CONFIGURATION	WITHOUT DMX ADDRESS		To transfer the same menu settings of one fixtures to all the other in the daisy chain, including or not the dmx address.				
	WITH DMX ADDRESS						

3	ADVANCED	RESET	ALL			To reset these functions.						
			PAN & TILT									
			ZOOM									
		CALIBRATION	PASSWORD			For the calibration of these functions. 050 password for user reset						
			PAN									
			TILT									
			...									
		MANUAL CONTROL	PAN			For manual control of the unit.						
			...									
		RELOAD DEFAULT	BASIC RELOAD	ON		050 password for user reset.						
OFF												
FACTORY RELOAD	ON											
	OFF											
4	INFORMATION	FIXTURE TIME	FIXTURE HOURS	TOTAL	(ONLY READ)	To check the total working hours of the unit.						
				PARTIAL	(READ AND RESET)							
			CURRENT HOURS	TOTAL	(ONLY READ)		To check the current working hours of the unit.					
				PARTIAL	(READ AND RESET)							
			SOURCE HOURS	TOTAL	(ONLY READ)			To see the total operating hours of the LED source.				
				PARTIAL	(READ AND RESET)							
			POWER ON CYCLE	TOTAL	(ONLY READ)				To see the power cycles of the machine.			
				PARTIAL	(READ AND RESET)							
			LAMP HOURS	TOTAL	(READ AND RESET)					To see the total operating hours of the LAMP.		
				PARTIAL	(READ AND RESET)							
			LAMP STRIKE	TOTAL	(READ AND RESET)						To see the total amount of LAMP strike.	
				PARTIAL	(READ AND RESET)							
			MAINTENANCE TIME	ELAPSED TIME								To choose and reset unit maintenance warning hours.
				ALERT PERIOD	10 - 300							
		LAMP PARAMETERS	VOLTAGE CURRENT POWER									
		TEMPERATURE	NEAR SOURCE TEMP, DRIVER PCB TEMP, LED PCB TEMP,...			To see the unit temperature.						
		FANS SPEED	NEAR SOURCE FAN, BASE FAN,...			To see the speed of the fans.						
		WIRELESS QUALITY				To check the wireless quality.						
		CHANNEL VALUE	PAN...			To see the dmx value of those channels.						
		ERROR MESSAGE	PAN, TILT...			To see any error messages.						
		FIXTURE MODEL	XXXXXXXXXX			View informations about fixture model.						
		RDM UID	(READ ONLY)			View ID for the RDM control.						
		SOFTWARE VERSION	1U01 V1.0.00...			View informations about software version.						

11 - SHORTCUT

KEYS	MODE	DESCRIPTION
UP + DOWN after power on	Flip Display	Directly flip display without enter inside menu.
DOWN then power on	Reset without pan/tilt movements	Fixture will be powered on without reset on pan/tilt movements.
ENTER + UP then power on	Bootloader	Force firmware upgrade.

12 - RDM FUNCTIONS

The product can communicate using RDM (Remote Device Management) protocol over a DMX512 Networks.

RDM is a bi-directional communications protocol for use in DMX512 control systems, it is the open standard for DMX512 device configuration and status monitoring.

The RDM protocol allows data packets to be inserted into a DMX512 data stream without affecting existing non-RDM equipment. It allows a console or dedicated RDM controller to send commands to and receive messages from specific fixtures.

The PIDs in the following tables are supported in the product.

RDM is also available on Wireless and Tiny's Downstead must be enabled in its custom PIDs to work.

Category	Parameter	PID	GET	SET
Product Information	DEVICE_INFO	0x0060	x	
	PRODUCT_DETAIL_ID_LIST	0x0070	x	
	DEVICE_MODEL_DESCRIPTION	0x0080	x	
	MANUFACTURER_LABEL	0x0081	x	
	DEVICE_LABEL	0x0082	x	x
	FACTORY_DEFAULTS	0x0090	x	x
	SOFTWARE_VERSION_LABEL	0x00C0	x	
	BOOT_SOFTWARE_VERSION_ID	0x00C1	x	
	BOOT_SOFTWARE_VERSION_LABEL	0x00C2	x	
DMX512 Setup	DMX_PERSONALITY	0x00E0	x	x
	DMX_PERSONALITY_DESCRIPTION	0x00E1	x	
	DMX_START_ADDRESS	0x00F0	x	x
	SLOT_INFO	0x0120	x	
	SLOT_DESCRIPTION	0x0121	x	
	DEFAULT_SLOT_VALUE	0x0122	x	
	DMX_BLOCK_ADDRESS	0x0140	x	x
	DMX_FAIL_MODE	0x0141	x	x
	DMX_STARTUP_MODE	0x0142	x	x
Dimmer Settings	DIMMER_INFO	0x0340	x	
	MINIMUM_LEVEL	0x0341	x	x
	MAXIMUM_LEVEL	0x0342	x	x
	CURVE	0x0343	x	x
	CURVE_DESCRIPTION	0x0344	x	x
	OUTPUT_RESPONSE_TIME	0x0345	x	x
	OUTPUT_RESPONSE_TIME_DESCRIPTION	0x0346	x	
	MODULATION_FREQUENCY	0x0347	x	x
	MODULATION_FREQUENCY_DESCRIPTION	0x0348	x	
Sensors	SENSOR_DEFINITION	0x0200	x	
	SENSOR_VALUE	0x0201	x	x
	RECORD_SENSORS	0x0202		x
	BURN_IN	0x0440	x	x

Category	Parameter	PID	GET	SET
Power/Lamp Settings	DEVICE_HOURS	0x0400	x	x
	LAMP_HOURS	0x0401	x	x
	LAMP_STRIKES	0x0402	x	x
	LAMP_STATE	0x0403	x	x
	LAMP_ON_MODE	0x0404	x	x
	DEVICE_POWER_CYCLES	0x0405	x	x
Display Settings	DISPLAY_INVERT	0x0500	x	x
	DISPLAY_LEVEL	0x0501	x	x
Configuration	PAN_INVERT	0x0600	x	x
	TILT_INVERT	0x0601	x	x
	PAN_TILT_SWAP	0x0602	x	x
	REAL_TIME_CLOCK	0x0603	x	x
	LOCK_PIN	0x0640	x	x
	LOCK_STATE	0x0641	x	x
	LOCK_STATE_DESCRIPTION	0x0642	x	
Control	IDENTIFY_DEVICE	0x1000	x	x
	RESET_DEVICE	0x1001		x
	POWER_STATE	0x1010	x	x
	PERFORM_SELFTEST	0x1020	x	x
	SELF_TEST_DESCRIPTION	0x1021	x	
	CAPTURE_PRESET	0x1030	x	x
	PRESET_PLAYBACK	0x1031	x	x
	IDENTIFY_MODE	0x1040	x	x
	PRESET_INFO	0x1041	x	
	PRESET_STATUS	0x1042	x	x
	PRESET_MERGEMODE	0x1043	x	x
	POWER_ON_SELF_TEST	0x1044	x	x
IP & DNS Configuration	IPV4_CURRENT_ADDRESS	0x0705	x	
	IPV4_STATIC_ADDRESS	0x0706	x	x
Custom Pids	FIX. ENGINE PROT. (0:W/DMX 1:sACN 2:ArtNet)	0x8010	x	x
	PIX. ENGINE PROT. (0:W/DMX 1:sACN 2:ArtNet 3:sAK 4:ArtK)	0x8020	x	x
	PIX. ENGINE ADDR. (1-512)	0x8030	x	x
	PIX. ENGINE MODE (0:Off 1:Ring 2:Pixel)	0x8040	x	x
	KLINGNET (0:Off 1:On)	0x8050	x	x

13 - DMX CHARTS

RDM Personality ID List

ID	Mode	RDM Model ID
1	Standard	0xA003

DMX Chart Summary

Channel	Standard
1	Pan
2	Pan Fine
3	Tilt
4	Tilt Fine
5	Dimmer
6	Dimmer Fine
7	Shutter
8	Cyan
9	Magenta
10	Yellow
11	Color Wheel 1
12	Color Wheel 2
13	Color Wheel 3
14	Rot Gobo
15	Rot Gobo Rotation
16	Rot Gobo Rotation Fine
17	Fixed Gogo
18	4f Circular Prism
19	4f Circular Prism Insertion
20	8f Circular Prism
21	8f Circular Prism Insertion
22	Frost
23	Zoom
24	Zoom Fine
25	Focus
26	Focus Fine
27	Animation Insertion
28	Animation Rotation
29	Beam / Spot Filter
30	Control

STD	Function	DMX Value	Default
1	PAN Lineary from 0% to 100%	000 ÷ 255	128
2	PAN FINE Lineary from 0% to 100%	000 ÷ 255	128
3	TILT Lineary from 0% to 100%	000 ÷ 255	128
4	TILT FINE Lineary from 0% to 100%	000 ÷ 255	128
5	DIMMER Lineary from close to open	000 ÷ 255	000
6	DIMMER FINE Lineary from close to open	000 ÷ 255	000
7	SHUTTER Close Strobe from slow to fast Open Pulse in from slow to fast Open Pulse out from slow to fast Open Random from slow to fast Open	000 ÷ 001 002 ÷ 062 063 ÷ 064 065 ÷ 125 126 ÷ 127 128 ÷ 188 189 ÷ 190 191 ÷ 251 252 ÷ 255	255
8	CYAN Linear insertion from 0% to 100% * Color Wheel 1 must be @ 0	000 ÷ 255	255
9	MAGENTA Linear insertion from 0% to 100% * Color Wheel 2 must be @ 0	000 ÷ 255	255
10	YELLOW Linear insertion from 0% to 100% * Color Wheel 3 must be @ 0	000 ÷ 255	255
11	COLOR WHEEL 1 Indexed Open Open + UV UV UV + Lavander Lavander Lavander + CTO 3200K CTO 3200K CTO 3200K + CTO 2500K CTO 2500K CTO 2500K + Blue Wood Blue Wood Blue Wood + Open Forward Spin From fast to slow Stop Stop Reverse Spin From slow to fast	000 ÷ 013 014 ÷ 027 028 ÷ 041 042 ÷ 055 056 ÷ 069 070 ÷ 083 084 ÷ 097 098 ÷ 111 112 ÷ 125 126 ÷ 139 140 ÷ 153 154 ÷ 167 168 ÷ 210 211 ÷ 212 213 ÷ 255	0
12	COLOR WHEEL 2 Indexed Open Open + Dark Green Dark Green Dark Green + CTB CTB CTB + Dark Blue Dark Blue Dark Blue + H.M. Green H.M. Green H.M. Green + Dark Red Dark Red Dark Red + Open Forward Spin From fast to slow Stop Stop Reverse Spin From slow to fast	000 ÷ 013 014 ÷ 027 028 ÷ 041 042 ÷ 055 056 ÷ 069 070 ÷ 083 084 ÷ 097 098 ÷ 111 112 ÷ 125 126 ÷ 139 140 ÷ 153 154 ÷ 167 168 ÷ 210 211 ÷ 212 213 ÷ 255	0

STD	Function	DMX Value	Default
12	COLOR WHEEL 3 Indexed Open Open + Light Green Light Green Light Green + Pink Pink Pink + Aquamarine Aquamarine Aquamarine + Dark Orange Dark Orange Dark Orange + Light Orange Light Orange Light Orange + Open Forward Spin From fast to slow Stop Stop Reverse Spin From slow to fast	000 ÷ 013 014 ÷ 027 028 ÷ 041 042 ÷ 055 056 ÷ 069 070 ÷ 083 084 ÷ 097 098 ÷ 111 112 ÷ 125 126 ÷ 139 140 ÷ 153 154 ÷ 167 168 ÷ 210 211 ÷ 212 213 ÷ 255	0
14	ROT GOBO (not available in Beam Mode) Indexed Open Gobo 1 Gobo 2 Gobo 3 Gobo 4 Gobo 5 Gobo 6 Gobo 7 Gobo 8 Gobo 9 Forward Spin From fast to slow Stop Stop Reverse Spin From slow to fast Shake Gobo 1 from slow to fast Gobo 2 from slow to fast Gobo 3 from slow to fast Gobo 4 from slow to fast Gobo 5 from slow to fast Gobo 6 from slow to fast Gobo 7 from slow to fast Gobo 8 from slow to fast Gobo 9 from slow to fast	000 ÷ 008 009 ÷ 017 018 ÷ 026 027 ÷ 035 036 ÷ 044 045 ÷ 053 054 ÷ 062 063 ÷ 071 072 ÷ 080 081 ÷ 089 090 ÷ 131 132 ÷ 132 133 ÷ 174 175 ÷ 183 184 ÷ 192 193 ÷ 201 202 ÷ 210 211 ÷ 219 220 ÷ 228 229 ÷ 237 238 ÷ 246 247 ÷ 255	000
15	R. GOBO ROTATION Indexed Lineary from 0° to 360° Forward Spin From fast to slow Stop Stop Reverse Spin From slow to fast	000 ÷ 127 128 ÷ 190 191 ÷ 192 193 ÷ 255	000
16	R. GOBO ROTATION FINE	000 ÷ 255	000

STD	Function	DMX Value	Default
17	FIXED GOBO		
	Indexed		
	Open	0 ÷ 3	
	Gobo 1	4 ÷ 7	
	Gobo 2	8 ÷ 11	
	Gobo 3	12 ÷ 15	
	Gobo 4	16 ÷ 19	
	Gobo 5	20 ÷ 23	
	Gobo 6	24 ÷ 27	
	Gobo 7	28 ÷ 31	
	Gobo 8	32 ÷ 35	
	Gobo 9	36 ÷ 39	
	Gobo 10	40 ÷ 43	
	Gobo 11	44 ÷ 47	
	Gobo 12	48 ÷ 51	
	Gobo 13	52 ÷ 55	
	Gobo 14	56 ÷ 59	
	Gobo 15	60 ÷ 63	
	Gobo 16	64 ÷ 67	
	Gobo 17	68 ÷ 71	
	Gobo 18	72 ÷ 75	
	Forward Spin		
	From fast to slow	76 ÷ 127	000
	Stop		
	Stop	128 ÷ 129	
	Reverse Spin		
	From slow to fast	130 ÷ 181	
Shake			
Gobo 1 from slow to fast	182 ÷ 187		
Gobo 2 from slow to fast	188 ÷ 191		
Gobo 3 from slow to fast	192 ÷ 195		
Gobo 4 from slow to fast	196 ÷ 199		
Gobo 5 from slow to fast	200 ÷ 203		
Gobo 6 from slow to fast	204 ÷ 207		
Gobo 7 from slow to fast	208 ÷ 211		
Gobo 8 from slow to fast	212 ÷ 215		
Gobo 9 from slow to fast	216 ÷ 219		
Gobo 10 from slow to fast	220 ÷ 223		
Gobo 11 from slow to fast	224 ÷ 227		
Gobo 12 from slow to fast	228 ÷ 231		
Gobo 13 from slow to fast	232 ÷ 235		
Gobo 14 from slow to fast	236 ÷ 239		
Gobo 15 from slow to fast	240 ÷ 243		
Gobo 16 from slow to fast	244 ÷ 247		
Gobo 17 from slow to fast	248 ÷ 251		
Gobo 18 from slow to fast	252 ÷ 255		
18	4F CIRCULAR PRISM		
	Open	000 ÷ 127	000
	Prism insert	128 ÷ 255	
19	4F CIRCULAR PRISM ROTATION		
	Indexed		
	Lineary from 0° to 360°	000 ÷ 127	
	Forward Spin		
	From fast to slow	128 ÷ 190	000
Stop			
Stop	191 ÷ 192		
Reverse Spin			
From slow to fast	193 ÷ 255		
20	8F CIRCULAR PRISM		
	Open	000 ÷ 127	000
	Prism insert	128 ÷ 255	
21	8F CIRCULAR PRISM ROTATION		
	Indexed		
	Lineary from 0° to 360°	000 ÷ 127	
	Forward Spin		
	From fast to slow	128 ÷ 190	000
Stop			
Stop	191 ÷ 192		
Reverse Spin			
From slow to fast	193 ÷ 255		

STD	Function	DMX Value	Default
22	FROST Linear insertion from 0% to 100%	000 ÷ 255	000
23	ZOOM Lineary from narrow to wide	000 ÷ 255	000
24	ZOOM FINE	000 ÷ 255	000
25	FOCUS Linear from far to near	000 ÷ 255	000
26	FOCUS FINE	000 ÷ 255	000
27	ANIMATION INSERTION Linear insertion from 0% to 100%	000 ÷ 255	000
28	ANIMATION ROTATION Indexed Lineary from 0° to 360°	000 ÷ 127	000
	Forward Spin From fast to slow	128 ÷ 190	
	Stop Stop	191 ÷ 192	
	Reverse Spin From slow to fast	193 ÷ 255	
29	BEAM / SPOT FILTER Spot Mode Beam Mode * Rot Gobo must be @ 0	000 ÷ 127 128 ÷ 255	000
30	CONTROL No Function/Safe	000 ÷ 001	000
	PAN REVERSE ON	002 ÷ 003	
	PAN REVERSE OFF	004 ÷ 005	
	TILT REVERSE ON	006 ÷ 007	
	TILT REVERSE OFF	008 ÷ 009	
	PAN/TILT MODE FAST	010 ÷ 011	
	PAN/TILT MODE MEDIUM	012 ÷ 013	
	PAN/TILT MODE SLOW	014 ÷ 015	
	MOVEMENT IN BLACKOUT ON	016 ÷ 017	
	MOVEMENT IN BLACKOUT OFF	018 ÷ 019	
	COLOR WHEEL 1 BLACKOUT ON (index)	020 ÷ 021	
	COLOR WHEEL 1 BLACKOUT OFF (index)	022 ÷ 023	
	COLOR WHEEL 2 BLACKOUT ON (index)	024 ÷ 025	
	COLOR WHEEL 2 BLACKOUT OFF (index)	026 ÷ 027	
	COLOR WHEEL 3 BLACKOUT ON (index)	028 ÷ 029	
	COLOR WHEEL 3 BLACKOUT OFF (index)	030 ÷ 031	
	ROTATING GOBO WHEEL BLACKOUT ON (index)	032 ÷ 033	
	ROTATING GOBO WHEEL BLACKOUT OFF (index)	034 ÷ 035	
	FIXED GOBO WHEEL BLACKOUT ON (index)	036 ÷ 037	
	FIXED GOBO WHEEL BLACKOUT OFF (index)	038 ÷ 039	
	COLOR WHEEL 1 CONTINUOUS MOVEMENT (index)	040 ÷ 041	
	COLOR WHEEL 1 STEP MOVEMENT (index)	042 ÷ 043	
	COLOR WHEEL 2 CONTINUOUS MOVEMENT (index)	044 ÷ 045	
	COLOR WHEEL 2 STEP MOVEMENT (index)	046 ÷ 047	
	COLOR WHEEL 3 CONTINUOUS MOVEMENT (index)	048 ÷ 049	
	COLOR WHEEL 3 STEP MOVEMENT (index)	050 ÷ 051	
	ROTATING GOBO WHEEL CONTINUOUS MOVEMENT (index)	052 ÷ 053	
	ROTATING GOBO WHEEL STEP MOVEMENT (index)	054 ÷ 055	
	FIXED GOBO WHEEL CONTINUOUS MOVEMENT (index)	056 ÷ 057	
	FIXED GOBO WHEEL STEP MOVEMENT (index)	058 ÷ 059	
	HOME MODE STANDARD	060 ÷ 061	
	HOME MODE CUSTOM	062 ÷ 063	
	DISPLAY ON	064 ÷ 065	
	DISPLAY 10S	066 ÷ 067	
	DISPLAY 20S	068 ÷ 069	
	DISPLAY 30S	070 ÷ 071	
	FLIP DISPLAY ON	072 ÷ 073	
FLIP DISPLAY OFF	074 ÷ 075		
FLIP DISPLAY AUTO	076 ÷ 077		
KEY LOCK ON	078 ÷ 079		
KEY LOCK OFF	080 ÷ 081		
NO SIGNAL HOLD	082 ÷ 083		
NO SIGNAL BLACKOUT	084 ÷ 085		
STATUS LED ON	086 ÷ 087		
STATUS LED OFF	088 ÷ 089		
INVERT ZOOM OFF	090 ÷ 091		
INVERT ZOOM ON	092 ÷ 093		
RESET ALL	094 ÷ 095		

STD	Function	DMX Value	Default
30	RESET PAN/TILT	096 ÷ 097	000
	RESET COLOR 1	098 ÷ 099	
	RESET COLOR 2	100 ÷ 101	
	RESET COLOR 3	102 ÷ 103	
	RESET CYAN	104 ÷ 105	
	RESET MAGENTA	106 ÷ 107	
	RESET YELLOW	108 ÷ 109	
	RESET ROTATING GOBO	110 ÷ 111	
	RESET GOBO ROTATION	112 ÷ 113	
	RESET FIXED GOBO	114 ÷ 115	
	RESET ZOOM	116 ÷ 117	
	RESET FOCUS	118 ÷ 119	
	RESET ANIMATION	120 ÷ 121	
	RESET 4F PRISM	122 ÷ 123	
	RESET 8F PRISM	124 ÷ 125	
	RESET FROST	126 ÷ 127	
	RESET SHUTTER	128 ÷ 129	
RESET OTHER	130 ÷ 131		
LAMP OFF	132 ÷ 133		
LAMP ON	134 ÷ 135		
Reserved	136 ÷ 253		
FACTORY DEFAULT OF CONTROL FUNCTIONS	254 ÷ 255		

14 - FIXED GOBOS WHEEL

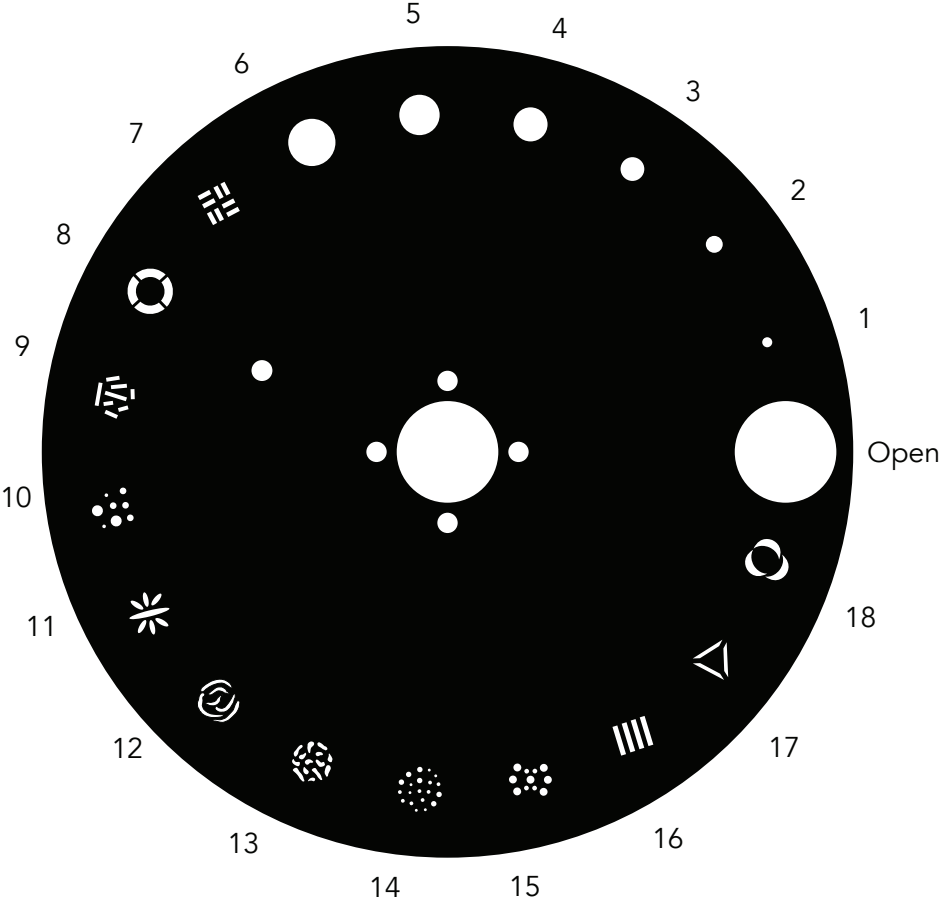
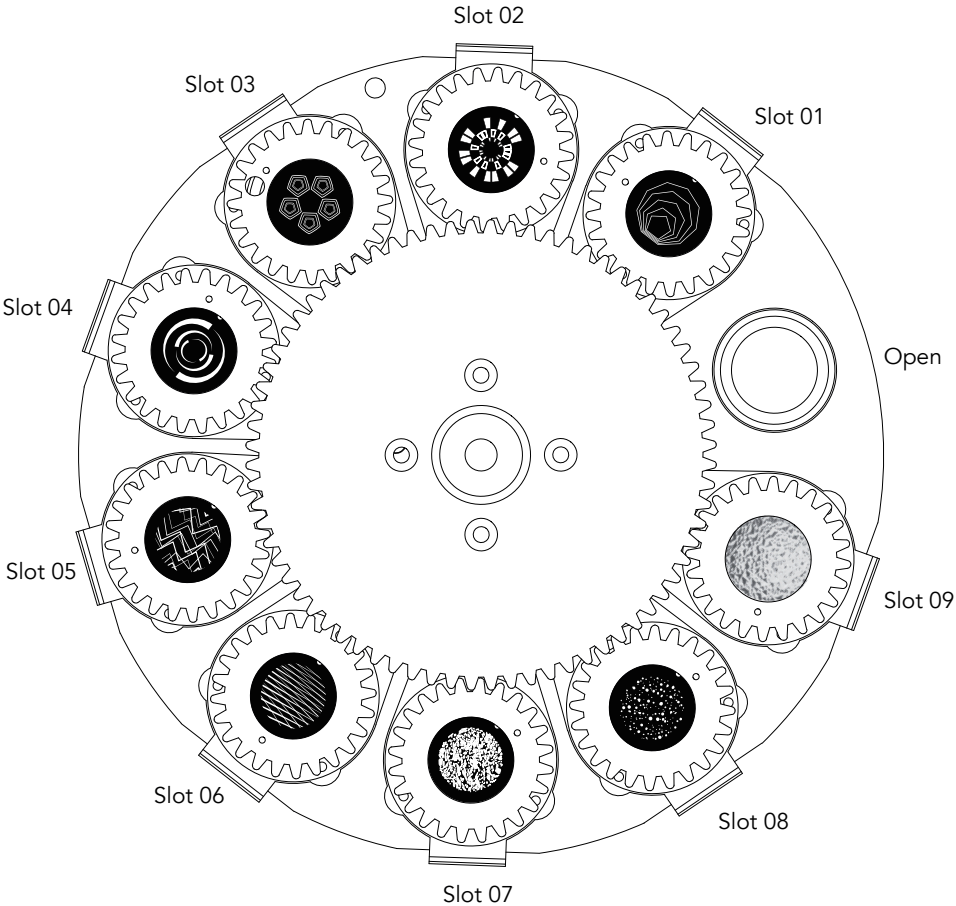
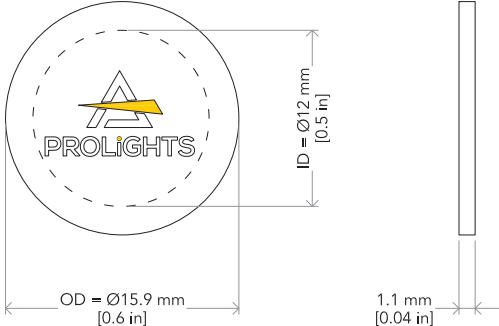


Fig. 09

15 - ROTATING GOBOS WHEEL

Gobo dimensions:

- Type B
- \varnothing external (OD)= 15.9 mm
- \varnothing of image (ID)= 12 mm
- Thickness= 1.1 mm

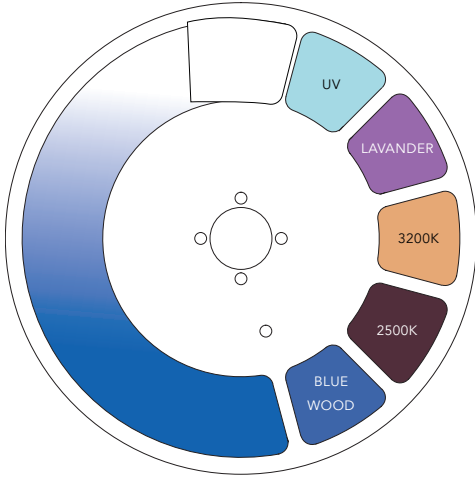


ATTENTION! Load with mirror surface toward the light source.

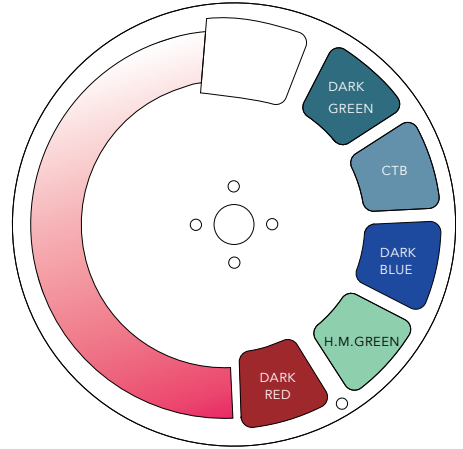
Fig. 10

16 - COLOR WHEEL

CYAN - COLOR WHEEL 1



MAGENTA - COLOR WHEEL 2



YELLOW - COLOR WHEEL 3

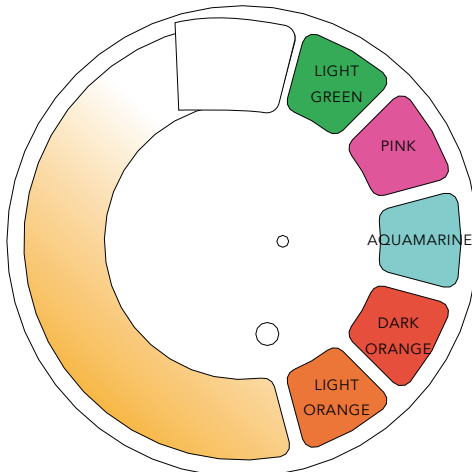
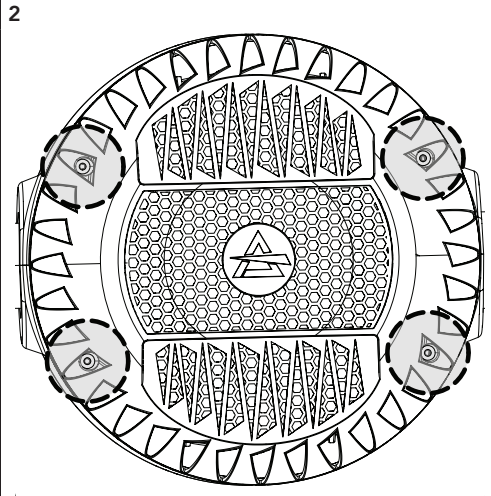
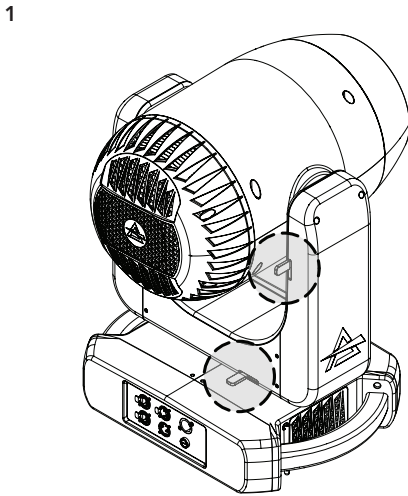


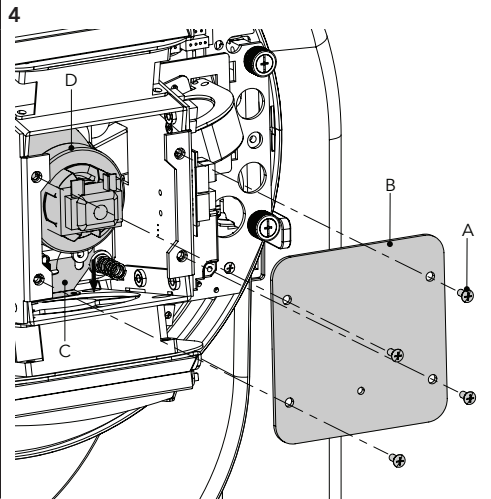
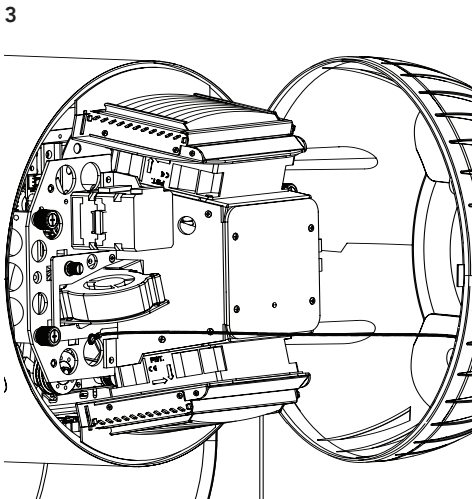
Fig. 11

17 - LAMP REPLACEMENT

WARNING! Turn OFF power and allow approximately 20 minutes for the fixture to cool down.



Before removing rear cover, place the head in a horizontal position and engage both the PAN and TILT locks for added stability (1). See the "PAN AND TILT LOCK" paragraph. Loosen the marked screws and opening the four head cover (2).

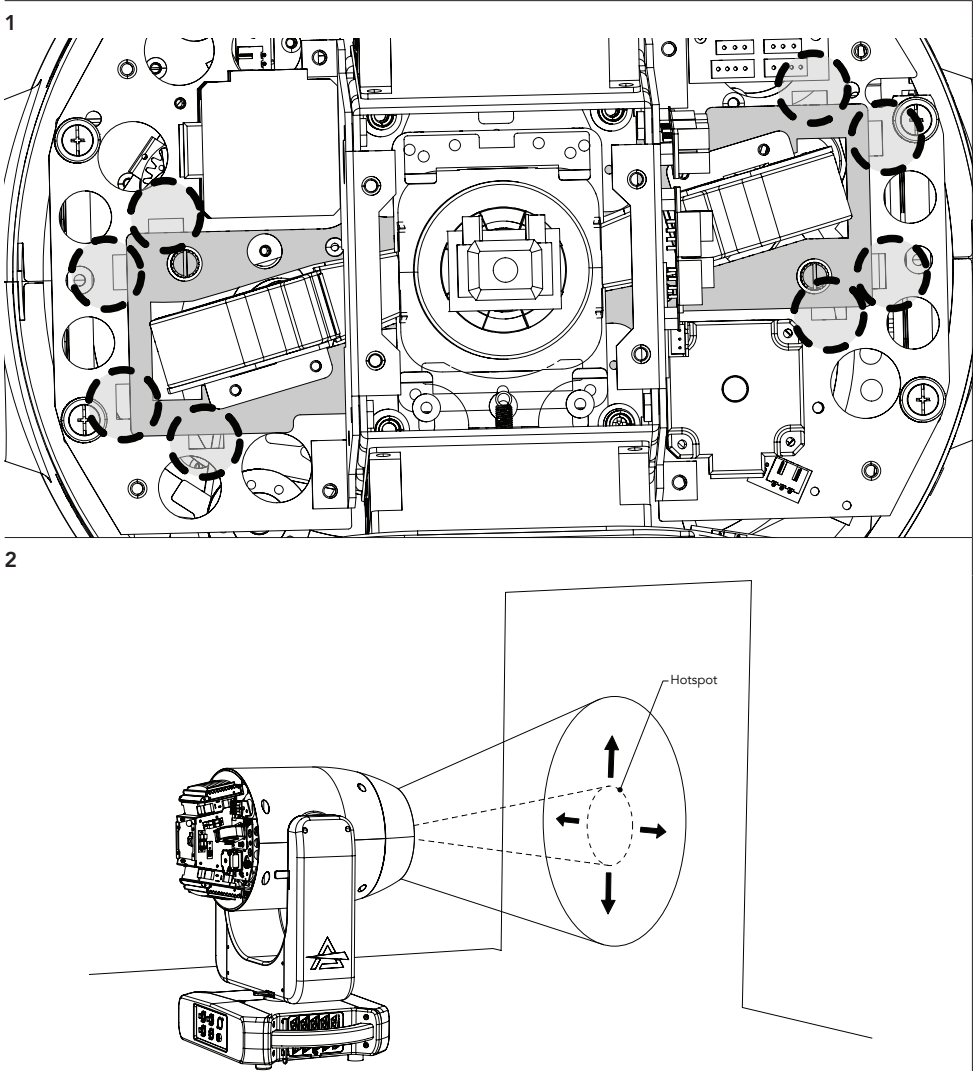


Unclip the rear cover safety cable (3). Loosen the four marked screws (4, A) to remove the plate (4, B) Push the metal locking plate down (4, C) and remove the lamp (4, D). Carefully remove any debris found on gasket and screw holes of the heatsink module using a nonabrasive brush before installing! Carefully inspect gaskets for signs of wear such as cracking or hardening, deformities, or alignment issues before replacing the lamp. Then insert the new lamp using the reverse procedure.

Fig. 12

CENTERING SYSTEM OF THE LAMP

NOTE: Before starting calibration process please hold for 5s "DOWN" button, fixture will enter calibration mode and display "LAMP FAN ERROR DISABLED", this function can also be activated via Calibration Menu. Once calibration mode is on you can start calibration process. As soon as you finished calibration please hold for 5s "DOWN" button again to leave calibration mode, "LAMP FAN ERROR DISABLED" will disappear.



WARNING! Never touch the lens and use the goggles.

Move the screwdriver upwards, downwards, right or left into a marked slot (1) to center the hotspot of the lamp on the center of the projection (2).

Fig. 13

18 - ERROR MESSAGES

The error is shown on the unit display. In the table below, the "ERROR SHOWED ON SCREEN" column lists the possible errors, accompanied by a possible cause ("POSSIBLE" CAUSES "column).

The color of the error messages (listed in the "COLOR MESSAGES" column) is different for each board it refers to ("PCB" column).

On page 32 you can see the location of the various pcb boards.

ERROR SHOWED ON SCREEN	POSSIBLE CAUSES	COLOUR MESSAGES	PCB
[DISPLAY BATTERY ERROR]	Battery not present or not detected from the display PCB.	Green	1U
[DMX ACTIVE]	If transfer configuration is used with dmx signal connected.	Green	1U
[MAINTENANCE TIME]	Need to be done standard maintenance and also reset of elapsed time.	Green	1U
[IGNITOR FAN ERROR]	Blower for Ignitor failed.	Green	1U
[POWER SUPPLY FAN ERROR]	Blower for PSU failed.	Green	1U
[PAN/TILT PCB ERROR]	Pan tilt pcb not detected.	Blue	2U
[PAN MOTOR ERROR]	This message will appear after the reset of the product if: <ul style="list-style-type: none"> • the PAN magnetic-indexing circuit detect a failure (sensor failed or magnet is missing); • or the stepping motor is defective; • or its driving IC on the PCB is defective; • or the product is not located in the default position after the reset of the fixture. 	Blue	2U
[TILT MOTOR ERROR]	This message will appear after the reset of the product if: <ul style="list-style-type: none"> • the TILT magnetic-indexing circuit detect a failure (sensor failed or magnet is missing); • or the stepping motor is defective; • or its driving IC on the PCB is defective; • or the product is not located in the default position after the reset of the fixture. 	Blue	2U
[PAN SENSOR ERROR]	Pan sensor not detected.	Blue	2U
[TILT SENSOR ERROR]	Tilt sensor not detected.	Blue	2U
[PAN ENCODER ERROR]	Pan encoder not detected.	Blue	2U
[TILT ENCODER ERROR]	Tilt encoder not detected.	Blue	2U
[MOTOR PCB 2 ERROR]	Motor pcb 3U not detected	Blue	2U
[ROTATING GOBO WHEEL ERROR]	Failure detected during the reset of the rotating gobo wheel, if this wheel is not located in the default position	Yellow	3U
[GOBO FAN ERROR]	Blower for cooling the GOBO wheel failed	Yellow	3U
[ANIMATION WHEEL ERROR]	Failure detected during the reset of the animation wheel, if this wheel is not located in the default position	Yellow	3U
[ANIMATION WHEEL ROT. ERROR]	Failure detected during the reset of the rotation of the animation wheel, if this wheel is not located in the default position	Yellow	3U
[CMY FAN ERROR]	Blower for cooling the CMY module failed	Yellow	3U
[MAGENTA ERROR]	Failure detected during the reset of the Magenta flag, if the Magenta flag of the CMY module is not located in its default position	Yellow	3U
[YELLOW ERROR]	Failure detected during the reset of the Yellow flag, if the Yellow flag of the CMY module is not located in its default position	Yellow	3U

[CYAN ERROR]	Failure detected during the reset of the Cyan flag, if the Cyan flag of the CMY module is not located in its default position	Yellow	3U
[GOBO ROTATION ERROR]	Failure detected during the reset of the rotation of the rotating gobo, if the rotating gobos are not located in the default positions	Yellow	3U
[STATIC GOBO WHEEL ERROR]	Failure detected during the reset of the static gobo wheel, if this wheel is not located in the default position	Yellow	3U
[MOTOR PCB 3 ERROR]	Motor pcb 4U not detected	Purple	4U
[FROST ERROR]	Failure detected during the reset of the effect FROST, if this effect is not located in the default position.	Purple	4U
[4F PRISM ERROR]	Failure detected during the reset of the 4F effect prism, if this effect is not located in the default position.	Purple	4U
[8F PRISM ERROR]	Failure detected during the reset of the 8F effect prism, if this effect is not located in the default position.	Purple	4U
[4F PRISM ROTATION ERROR]	Failure detected during the reset of the 4F effect prism rotation, if this effect is not located in the default position.	Purple	4U
[8F PRISM ROTATION ERROR]	Failure detected during the reset of the 8F effect prism rotation, if this effect is not located in the default position.	Purple	4U
[FOCUS ERROR]	Failure detected during the reset of the FOCUS, if the focus lens is not located in its default position.	Purple	4U
[ZOOM ERROR]	Failure detected during the reset of the ZOOM system, if the focus lens is not located in its default position.	Purple	4U
[LAMP AIR IN (LOW) FAN ERR.]	Air in blower for cooling the lamp failed, the lamp has been switched OFF.	Purple	4U
[LAMP AIR OUT (UP) FAN ERR.]	Air out blower for cooling the lamp failed, the lamp has been switched OFF.	Purple	4U
[SHUTTER 1 ERROR]	Failure detected during the reset of the effect SHUTTER, if this effect is not located in the default position.	Purple	4U
[SHUTTER 2 ERROR]	Failure detected during the reset of the effect SHUTTER, if this effect is not located in the default position.	Purple	4U
[SPOT FILTER ERROR]	Failure detected during the reset of spot filter, if the rotating gobos are not located in the default positions	Purple	4U
[FAN PCB ERROR]	Fan PCB not detected	Acquamarine	5U
[LAMP RIGHT FAN ERROR]	Right blower for cooling the lamp failed, the lamp has been switched OFF.	Acquamarine	5U
[LAMP LEFT FAN ERROR]	Left blower for cooling the lamp failed, the lamp has been switched OFF.	Acquamarine	5U
[LAMP TEMPERATURE ERROR]	This error message indicates that an overheating on the lamp has occurred and the lamp has been switched OFF by the product protection system.	Acquamarine	5U
[IGNITOR TEMPERATURE ERROR]	This error message indicates that an overheating on the ignitor has occurred and the lamp has been switched OFF by the product protection system.	Acquamarine	5U
[LAMP TEMP. SENSOR ERROR]	LAMP sensor damaged (open or in short circuit)	Acquamarine	5U

IDENTIFICATION OF ELECTRONIC BOARDS

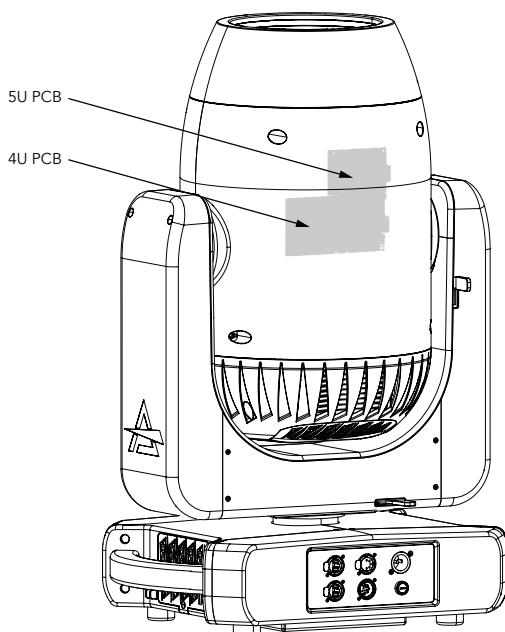
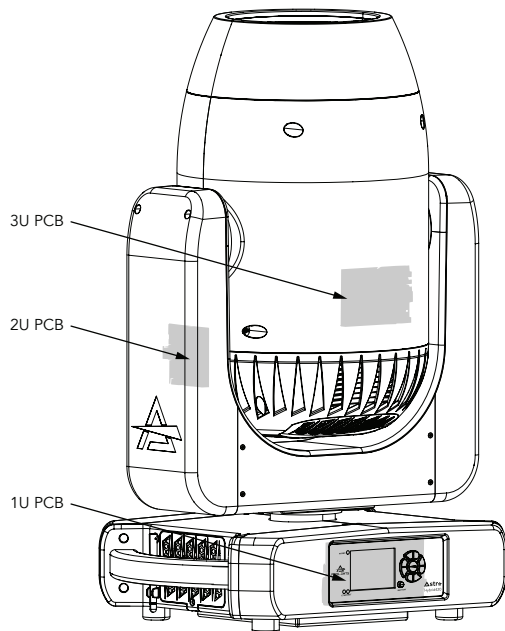
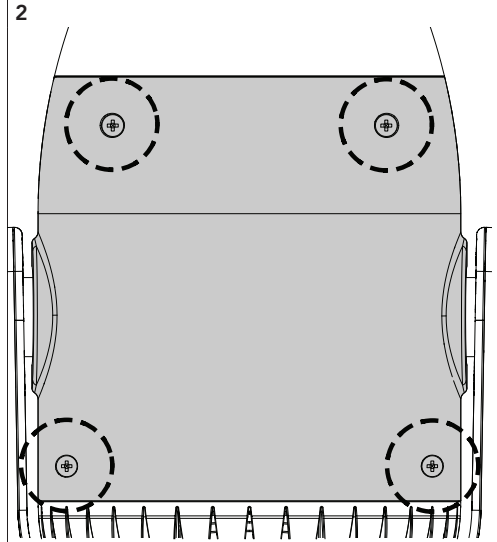
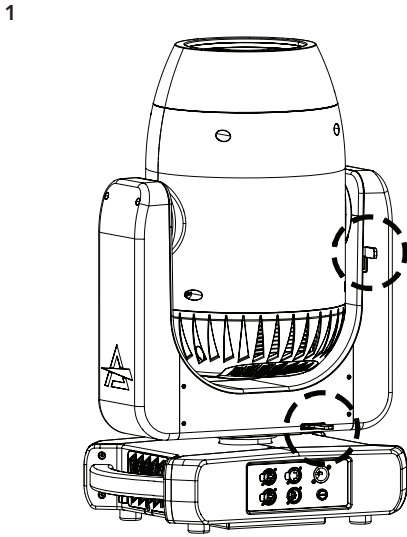


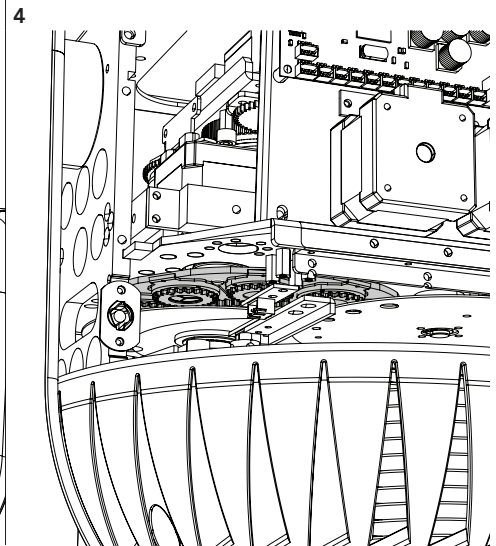
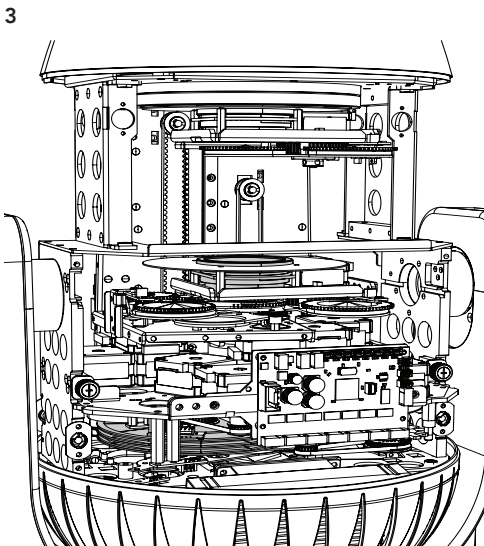
Fig. 14

19 - PERIODICAL CLEANING

WARNING! Turn OFF power and allow approximately 20 minutes for the fixture to cool down.



Before removing rear cover, place the head in a horizontal position and engage both the PAN and TILT locks for added stability. See the "PAN AND TILT LOCK" paragraph. Loosen the marked screws and opening the head covers (2) from both sides.

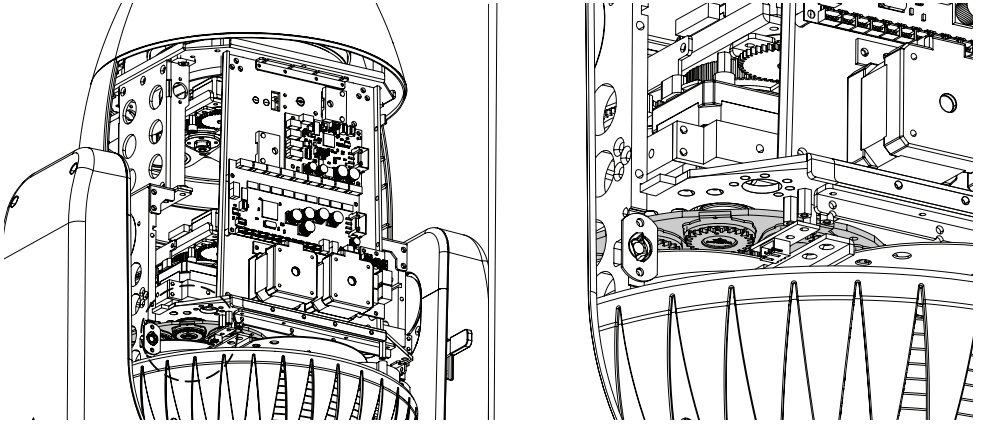


Use a soft cloth dampened with any detergent liquid for cleaning glass to remove the dirt from the reflectors, the lenses and filters.

Fig. 15

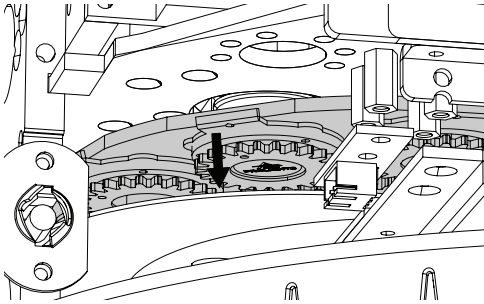
20 - GOBOS REPLACEMENT

1

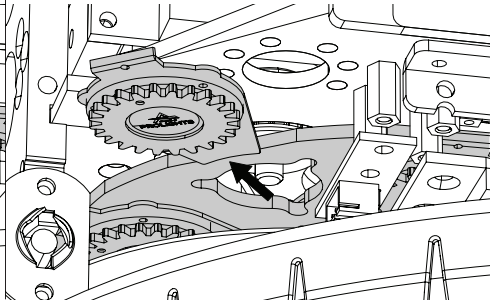


Loosen the marked screws and opening the head cover (see the "PERIODICAL CLEANING" paragraph, point 2).

2

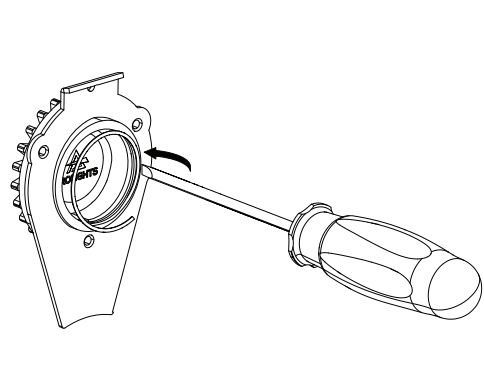


3

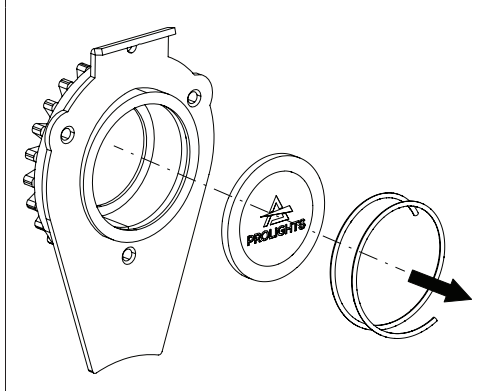


Detach the gobo holder flap from the gobo wheel (2). Then remove the gobo holder (3).

4



5



Remove the spring (4) and the gobo (5).

Fig. 16

21 - MAINTENANCE

MAINTENANCE AND CLEANING THE PRODUCT

WARNING: Disconnect from the mains before starting any maintenance work

It is recommended to clean the front at regular intervals, from impurities caused by dust, smoke, or other particles to ensure that the light is radiated at maximum brightness.

- For cleaning, disconnect the main plug from the socket. Use a soft, clean cloth moistened with a mild detergent. Then carefully wipe the part dry. For cleaning other housing parts use only a soft, clean cloth. Never use a liquid, it might penetrate the unit and cause damage to it.
- The user must clean the product periodically to maintain optimum performance and cooling. The user may also upload firmware (product software) to the fixture via the DMX signal input port or USB port using firmware and instructions from PROLIGHTS.
- The frequency of such maintenance operations is to be performed according to various factors, such as the amount of the use and the condition of the installation environment (air humidity, presence of dust, salinity, etc.). It is recommended that the product is subject to annual service by a qualified technician for special maintenance involving at least the following procedures:
 - General cleaning of internal parts.
 - For all the parts subject to friction, using lubricants specifically supplied by PROLIGHTS.
 - General visual check of the internal components, cabling, mechanical parts, etc.
 - Electrical, photometric and functional checks; eventual repairs.
 - Cleaning the lenses. Only use neutral soap and water to clean the lenses, then dry it carefully with a soft, non-abrasive cloth.

WARNING: the use of alcohol or any other detergent could damage the lenses.

- All other service operations on the product must be carried out by PROLIGHTS, its approved service agents or trained and qualified personnel.
- It is PROLIGHTS policy to apply the strictest possible calibration procedures and use the best quality materials available to ensure optimum performance and the longest possible component lifetimes. However, optical components are subject to wear and tear over the life of the product, resulting in gradual changes in colours over many thousands of hours of use. The extent of wear and tear depends heavily on operating conditions and environment, so it is impossible to specify precisely whether and to what extent performance will be affected. However, you may eventually need to replace optical components if their characteristics are affected by wear and tear after an extended period of use and if you require fixtures to perform within very precise optical and colour parameters.
- Do not apply filters, lenses or other materials on lenses or other optical components. Use only accessories approved by PROLIGHTS.

REPLACING THE FUSE

WARNING: Before replacing the fuse, unplug the product from the mains.

- Remove the old fuse from the housing with a suitable screwdriver (anticlockwise) and replace it with one of the same type and of the same classification (T3.15A 250V).


VISUAL CHECK OF PRODUCT HOUSING

- The parts of the product cover/housing should be checked for eventual damages and breaking start at least every two months. In addition, especially the parts of the front lens holder have to be checked mechanically (by means of movement by the part) if it is firmly fastened to the fixture. If hint of a crack is found on some plastic part, do not use the product until the damaged part will be replaced.
- Cracks or another damages of the cover/housing parts can be caused by the product transportation or manipulation and also ageing process may influence materials.
- This checking is necessary for both fixed installations and preparing product for renting. Any free moving parts inside of the product, cracked cover/housing or any part of front lens not sitting properly in place need to be immediately replaced.

TROUBLESHOOTING

Problems	Possible causes	Checks and remedies
Product doesn't power ON.	<ul style="list-style-type: none"> No power to the product. 	<ul style="list-style-type: none"> Check that power is switched ON and cables are plugged in.
	<ul style="list-style-type: none"> Fuse blown or internal fault. 	<ul style="list-style-type: none"> Check if the Fuse is intact and eventually replace it if necessary. Contact the PROLIGHTS Service or authorized service partner. Do not remove parts and/or covers, or carry out any repairs or service that are not described in this Safety and User Manual unless you have both authorization from PROLIGHTS and the service documentation.
Product reset correctly but does not respond correctly to the controller.	<ul style="list-style-type: none"> Bad signal connection. 	<ul style="list-style-type: none"> Inspect connections and cables. Fix eventual bad connections. Repair or replace damaged cables.
	<ul style="list-style-type: none"> Signal connection not terminated. 	<ul style="list-style-type: none"> Insert DMX termination plug in signal output socket of the last product on the signal line.
	<ul style="list-style-type: none"> Incorrect addressing of the product. 	<ul style="list-style-type: none"> Check the product address and control settings.
	<ul style="list-style-type: none"> One of the product is defective and is corrupting the signal transmission on the signal line. 	<ul style="list-style-type: none"> Unplug the XLR in and out connectors and connect them directly together to bypass one product at a time until normal operation is regained. Once found the error, have that fixture serviced by a qualified technician.
Timeout error after fixture reset.	<ul style="list-style-type: none"> One or more hardware components requires mechanical adjustments. 	<ul style="list-style-type: none"> Check product stored error messages for more information. Contact PROLIGHTS Service or an authorized service partner.
Mechanical effect loses position.	<ul style="list-style-type: none"> Mechanical hardware require cleaning, adjustment or lubrication. 	<ul style="list-style-type: none"> Check product stored error messages for more information. Contact PROLIGHTS Service or an authorized service partner.
Light output turn OFF Intermittently.	<ul style="list-style-type: none"> Fixture is too hot. 	<ul style="list-style-type: none"> Check product stored error messages. Allow product to cool. Clean the product and airflow filters. Reduce ambient temperature.
	<ul style="list-style-type: none"> Hardware failure (temperature sensor, fans, Light source...). 	<ul style="list-style-type: none"> Check product stored error messages for more information. Contact PROLIGHTS Service or an authorized service partner.
General low light intensity.	<ul style="list-style-type: none"> Dirty lens assembly. 	<ul style="list-style-type: none"> Clean the fixture regularly.
	<ul style="list-style-type: none"> Dirty or damaged filters. 	<ul style="list-style-type: none"> Install lens assembly properly.

Contact an authorized service center in case of technical problems or not reported in the table can not be resolved by the procedure given in the table.



PROLIGHTS is a trademark of
MUSIC & LIGHTS S.r.l.
musiclights.it

Via A.Olivetti snc
04026 - Minturno (LT) ITALY
Tel: +39 0771 72190

prolights.it
support@prolights.it