

# Photometric Test Report



## LUMIPIX12QTOUR

12 X 10W RGBW/FC indoor LED batten

## CONTENTS

Table of contents	2
Testing process	3
Color preset Full on	
Beam angle 15°	4
Beam angle 25°	7
Beam angle 45°	10
Color preset Red	
Beam angle 15°	13
Beam angle 25°	16
Beam angle 45°	19
Color preset Green	
Beam angle 15°	22
Beam angle 25°	25
Beam angle 45°	28
Color preset Blue	
Beam angle 15°	31
Beam angle 25°	34
Beam angle 45°	37
Color preset White	
Beam angle 15°	40
Beam angle 25°	43
Beam angle 45°	46

## TESTING PROCESS

Prolights has its own optical testing laboratory in order to provide accurate photometric reports for its lighting products. The testing laboratory contains certain variety of precise lighting measurement systems that ensure an optimal reading of all the characteristic parameters of the lighting devices. All measurements are made at a controlled room temperature of 20°C without any external light sources. This photometric report is obtained through the data measured by a high precision measurement system and analyzed by a dedicate software.

### Prolights measurement instrument

Prolights measurement instrument is a complete measurement system for any light source. It's equipped with two-axis goniometer, that enables to measure the full 3D distribution field of the light source. This instrument measures the light intensity, the beam angle and the most significative colors parameters, like color temperature, spectral distribution, CRI, CQS, TM-30 with a very high accuracy rate.

**Please Note:** All measurements are made with light source at operating temperature. Before starting the measurement, the instrument analyzes the process of the light source during the heating phase. The measuring process of all the parameters begins only when the light emission is stable, that is with a variation of less than 0.5% in a 15 minutes time frame.

### Prolights measurement software

The software provides user friendly interface for the operator who does the measurements, and it also analyzes and processes all the collected data by the instrument. With this software it is possible to see the measured data in real-time and it is possible to examine all the measured data and graphics afterwards as well. All information is collected in a specific Prolights template, and the software creates also IES and LDT files, which are widely used to transfer the photometric data, and to develop lighting system.

Additionally, the fixtures are rechecked using various hand-held instruments like Sekonic C-700 and Gossen Mavospec Base, this is done to ensure, that the data in the photometric report are as accurate as possible.

Total lumen output:

3757 lm

Peak candela output:

72559 cd



**PRODUCT NAME:**

LUMIPIX12QTOUR

**MEASUREMENT CONDITIONS:**

Beam angle:

15°

Target:

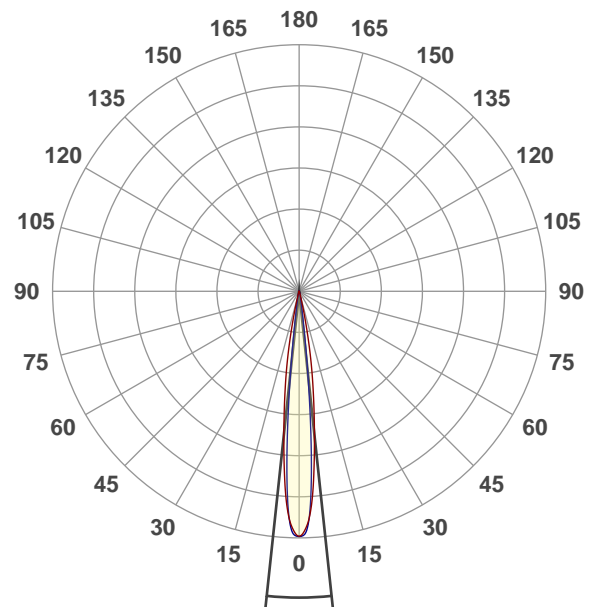
Full On

Operator:

Paolo Carvone

Date and time:

22/04/2021 15:08:20

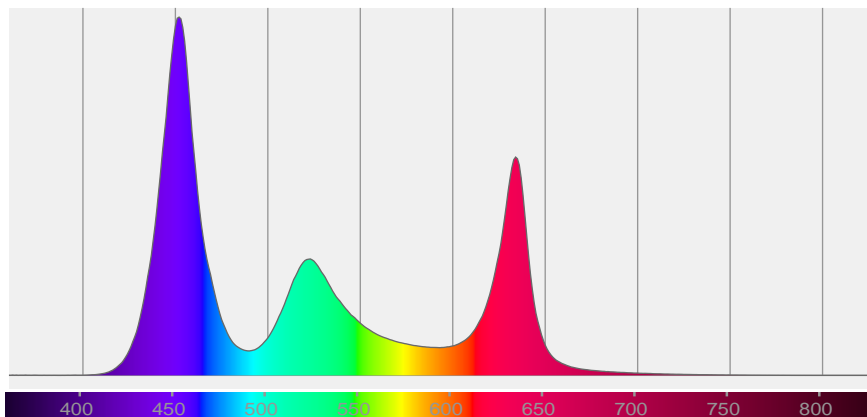


Beam angle 50%: 12,2°

Field angle 10%: 20,6°

Cut off angle 2.5%: 27,6°

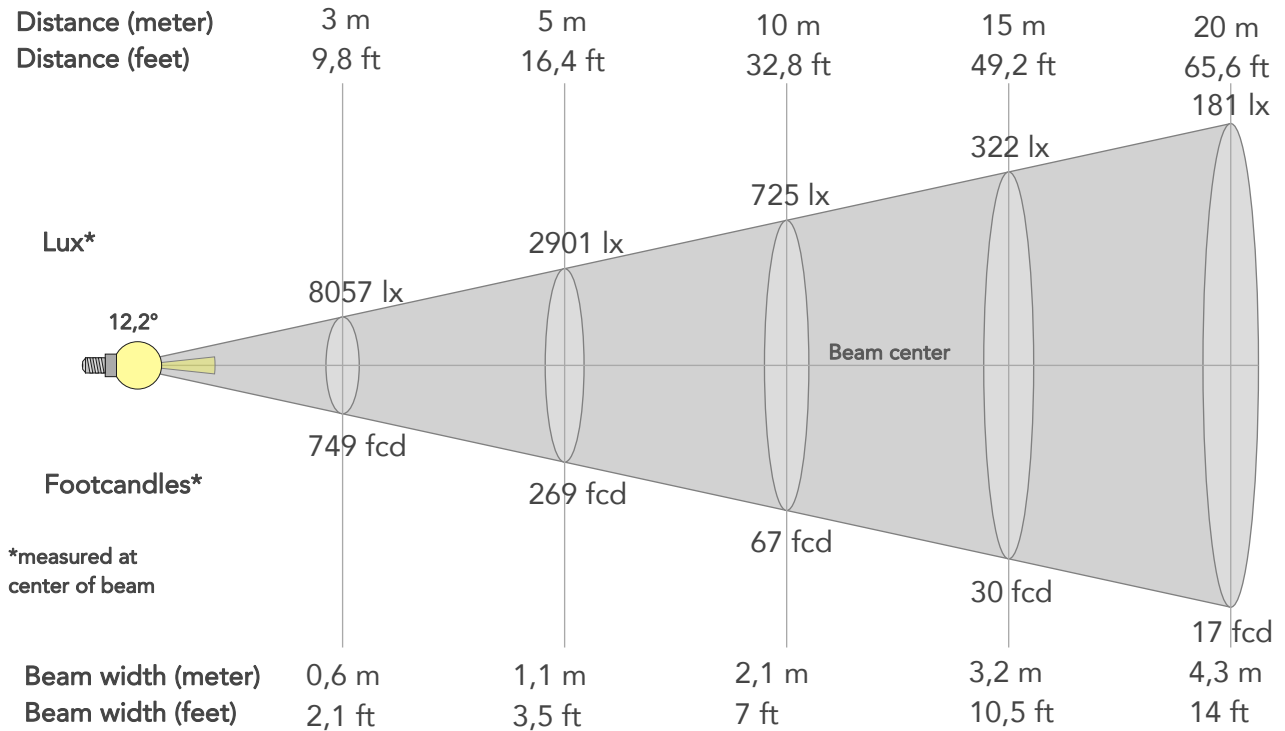
Spectra



# BEAM DETAILS



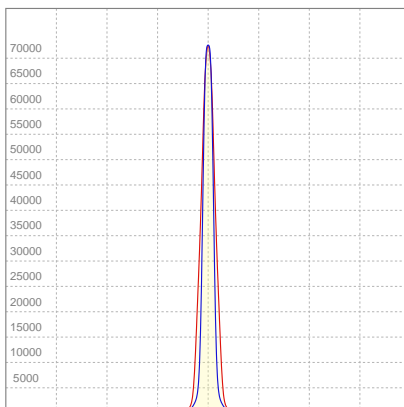
Beam angle 50%	Field angle 10%	Cut off angle 2,5%	Intensity ratio in 120° cone	Intensity ratio in 90° cone
12,2°	20,6°	27,6°	100,0%	99,9%



## BEAM INTENSITIES AND WIDTHS

Distance	1m	2m	3m	4m	5m	7,5m	10m	15m	20m	25m	30m	40m	50m
Distance	3,3ft	6,6ft	9,8ft	13,1ft	16,4ft	24,6ft	32,8ft	49,2ft	65,6ft	82ft	98,4ft	131,2ft	164ft
Lux	72513lx	18128lx	8057lx	4532lx	2901lx	1289lx	725lx	322lx	181lx	116lx	81lx	45lx	29lx
Footcand.	6737fcd	1684fcd	749fcd	421fcd	269fcd	120fcd	67fcd	30fcd	17fcd	11fcd	7fcd	4fcd	3fcd
Beam wid.	0,2m	0,4m	0,6m	0,9m	1,1m	1,6m	2,1m	3,2m	4,3m	5,3m	6,4m	8,5m	10,6m
Beam wid.	0,7ft	1,4ft	2,1ft	2,8ft	3,5ft	5,2ft	7ft	10,5ft	14ft	17,5ft	21ft	27,9ft	34,9ft

## LINEAR DISTRIBUTION DIAGRAM

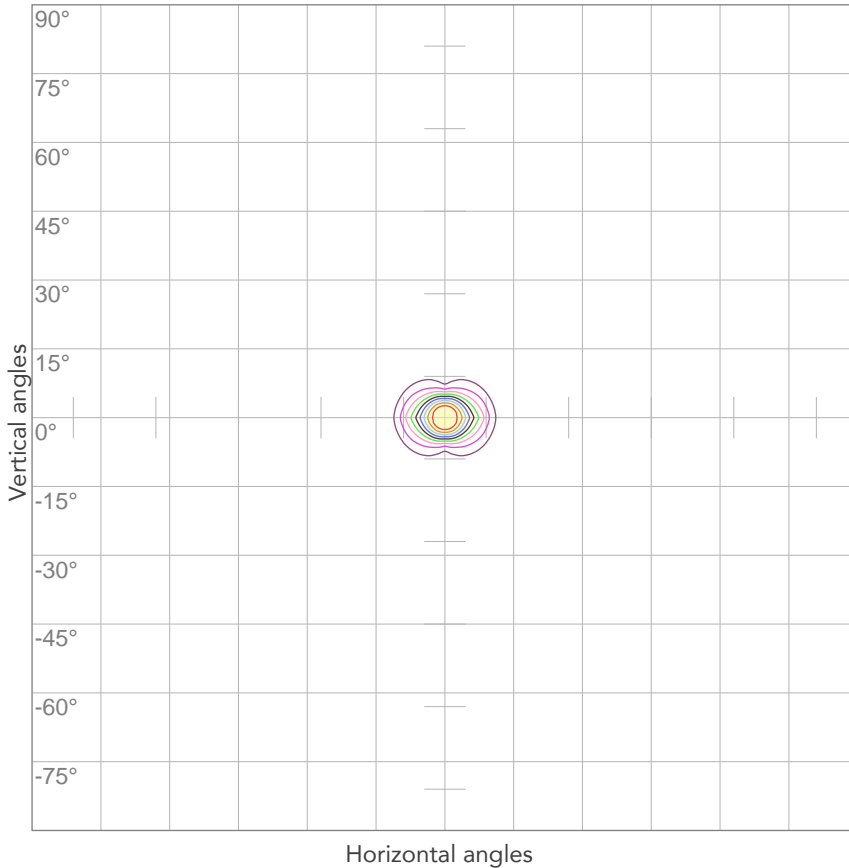


## ELECTRICAL SPECIFICATIONS

Input voltage	Input current	Input power	Effeciency
224V	0,468A	98,8W	38lm/W

Power FC
0,94

## ISO CANDELA DIAGRAM



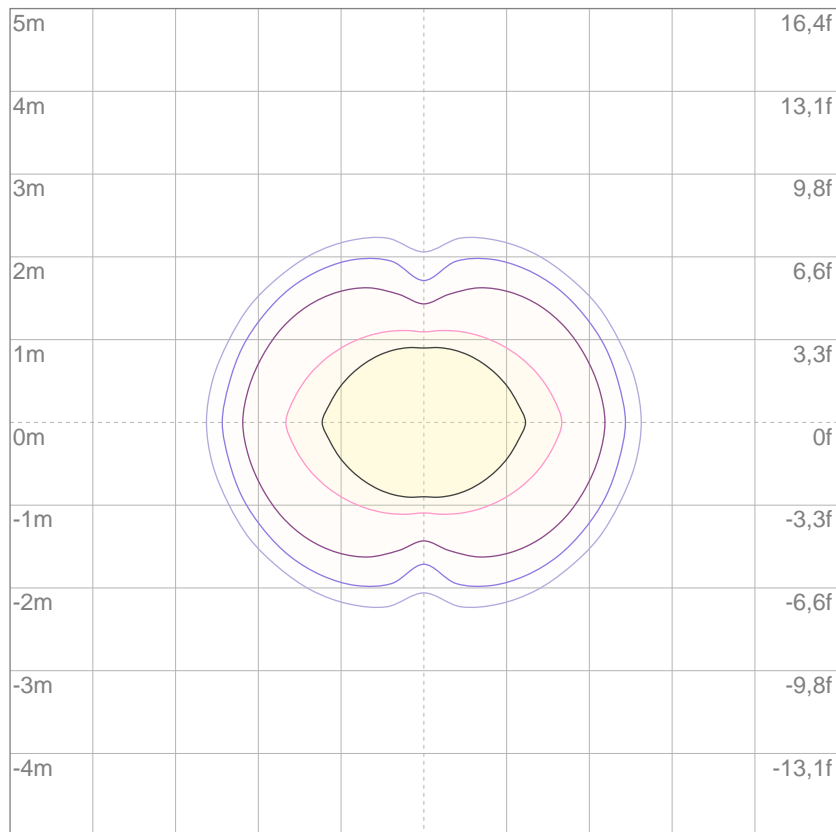
10%	7251 cd
20%	14503 cd
30%	21754 cd
40%	29005 cd
50%	36257 cd
60%	43508 cd
70%	50759 cd
80%	58011 cd

Conditions:

Number of c-planes: 4

Candela at center: 72513 cd

## ISO LUX DIAGRAM



3%	21,8 lx
5%	36,3 lx
10%	72,5 lx
30%	218 lx
50%	363 lx

Conditions:

Number of c-planes: 4

Lux at center: 725 lx

*Lux distribution on a surface when lamp is mounted at 10 meters from the surface.*

Mounting height: 10 meters (33 feet)

Total lumen output:

3619 lm

Peak candela output:

21399 cd



**PRODUCT NAME:**

LUMIPIX12QTOUR

**MEASUREMENT CONDITIONS:**

Beam angle:

25°

Target:

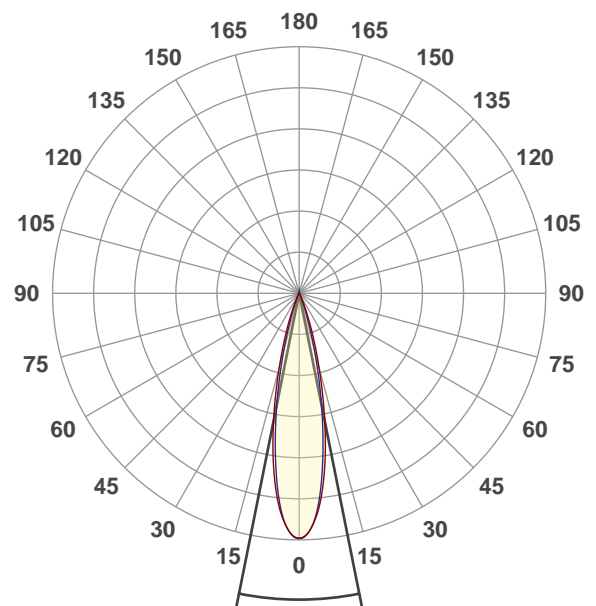
Full On

Operator:

Paolo Carvone

Date and time:

22/04/2021 13:41:22

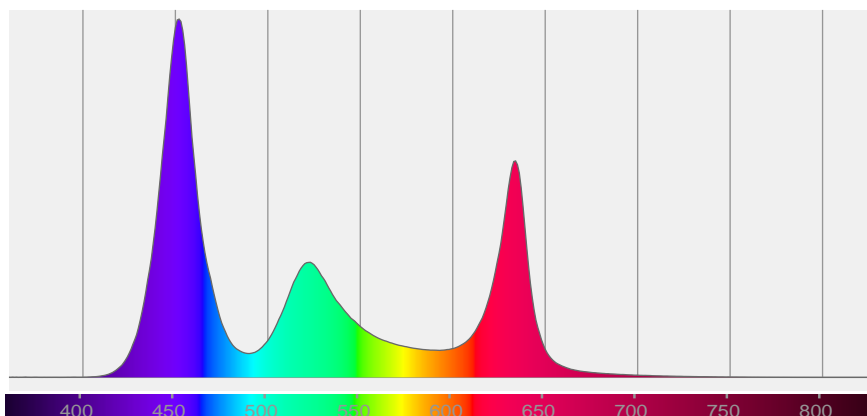


Beam angle 50%: 22,6°

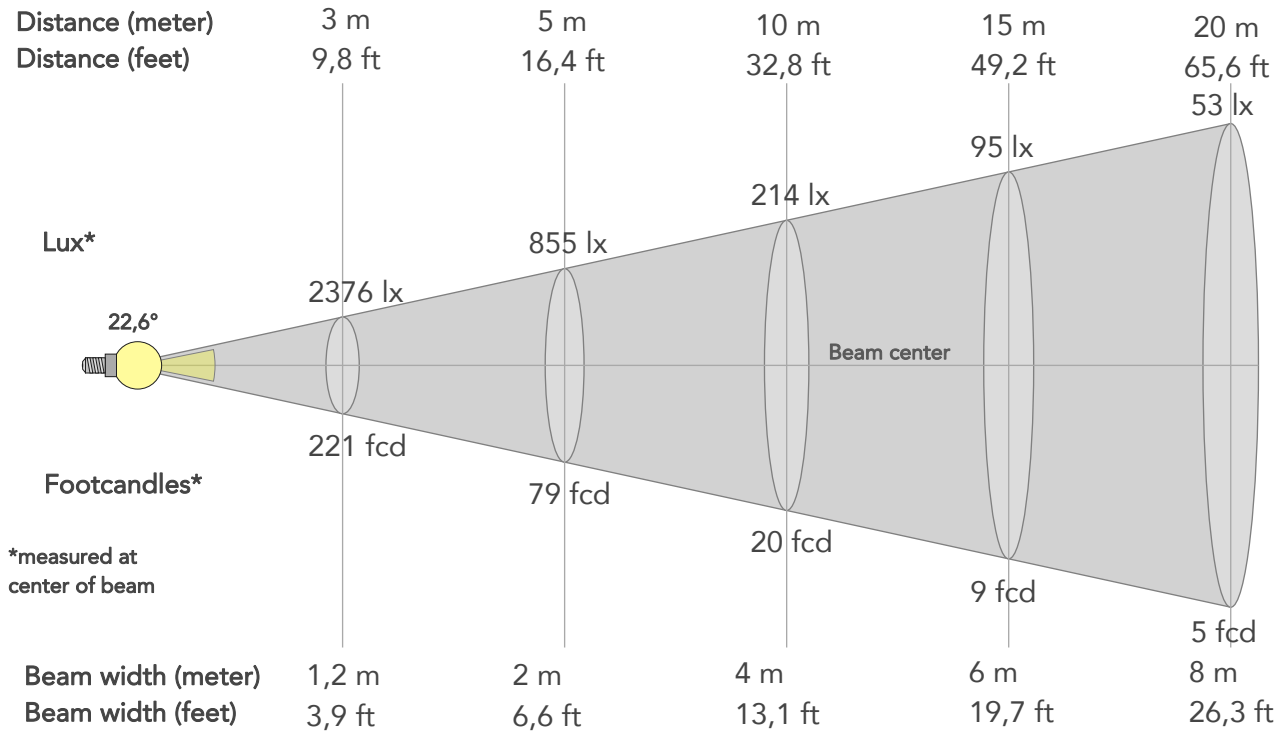
Field angle 10%: 39,1°

Cut off angle 2.5%: 49,8°

Spectra



Beam angle 50%	Field angle 10%	Cut off angle 2,5%	Intensity ratio in 120° cone	Intensity ratio in 90° cone
22,6°	39,1°	49,8°	100,0%	99,8%

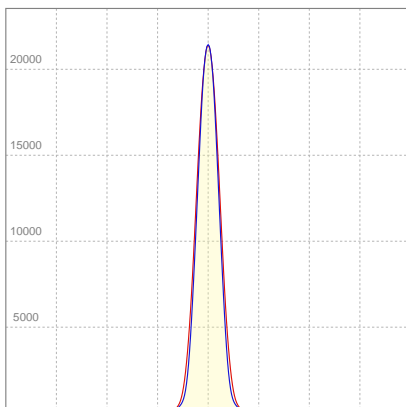


\*measured at center of beam

### BEAM INTENSITIES AND WIDTHS

Distance	1m	2m	3m	4m	5m	7,5m	10m	15m	20m	25m	30m	40m	50m
Distance	3,3ft	6,6ft	9,8ft	13,1ft	16,4ft	24,6ft	32,8ft	49,2ft	65,6ft	82ft	98,4ft	131,2ft	164ft
Lux	21381lx	5345lx	2376lx	1336lx	855lx	380lx	214lx	95lx	53lx	34lx	24lx	13lx	9lx
Footcand.	1986fcd	497fcd	221fcd	124fcd	79fcd	35fcd	20fcd	9fcd	5fcd	3fcd	2fcd	1fcd	1fcd
Beam wid.	0,4m	0,8m	1,2m	1,6m	2m	3m	4m	6m	8m	10m	12m	16m	20m
Beam wid.	1,3ft	2,6ft	3,9ft	5,2ft	6,6ft	9,8ft	13,1ft	19,7ft	26,3ft	32,8ft	39,4ft	52,5ft	65,7ft

### LINEAR DISTRIBUTION DIAGRAM



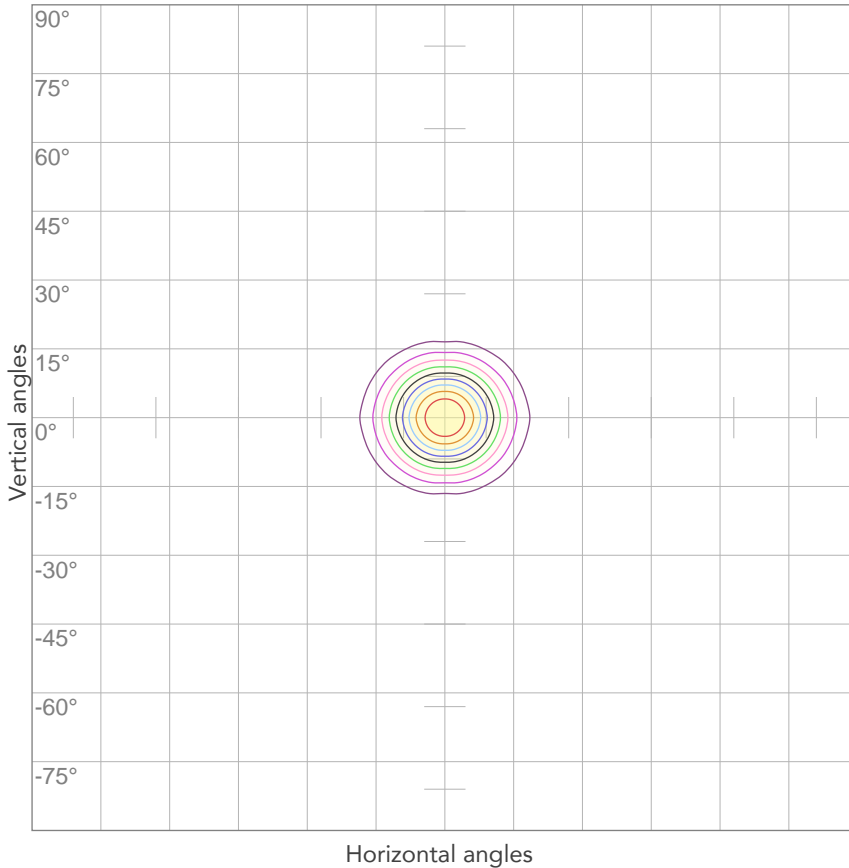
### ELECTRICAL SPECIFICATIONS

Input voltage	Input current	Input power	Effeciency
224V	0,470A	99,2W	36lm/W

Power FC
0,94



## ISO CANDELA DIAGRAM



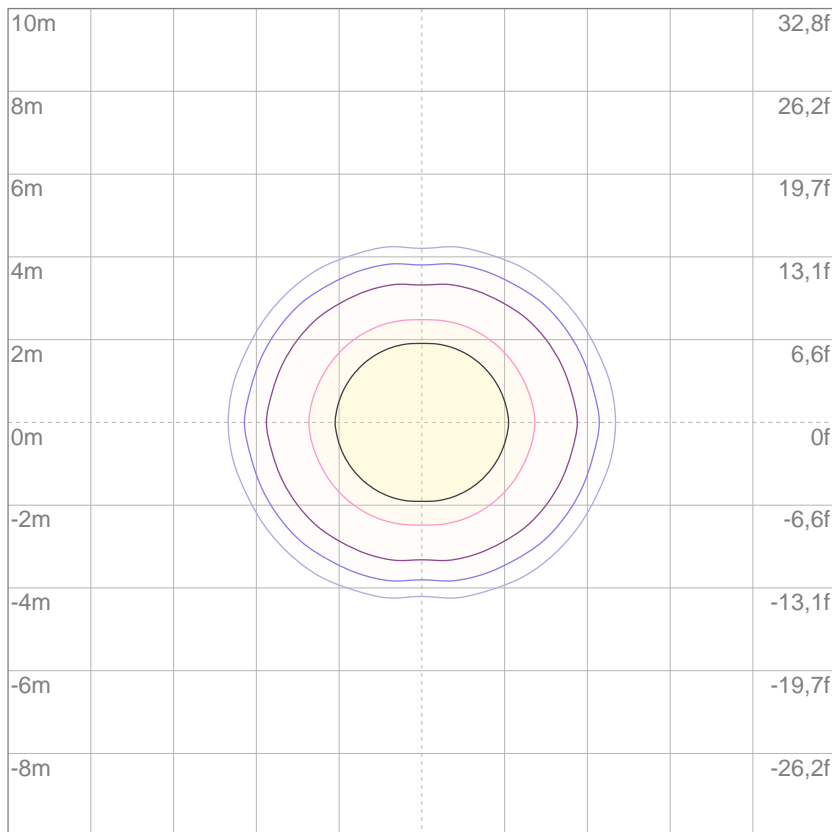
10%	2138 cd
20%	4276 cd
30%	6414 cd
40%	8553 cd
50%	10691 cd
60%	12829 cd
70%	14967 cd
80%	17105 cd

Conditions:

Number of c-planes: 4

Candela at center: 21381 cd

## ISO LUX DIAGRAM



Mounting height: 10 meters (33 feet)

3%	6,41 lx
5%	10,7 lx
10%	21,4 lx
30%	64,1 lx
50%	107 lx

Conditions:

Number of c-planes: 4

Lux at center: 214 lx

*Lux distribution on a surface when lamp is mounted at 10 meters from the surface.*

Total lumen output:

3630 lm

Peak candela output:

8135 cd



**PRODUCT NAME:**

LUMIPIX12QTOUR

**MEASUREMENT CONDITIONS:**

Beam angle:

45°

Target:

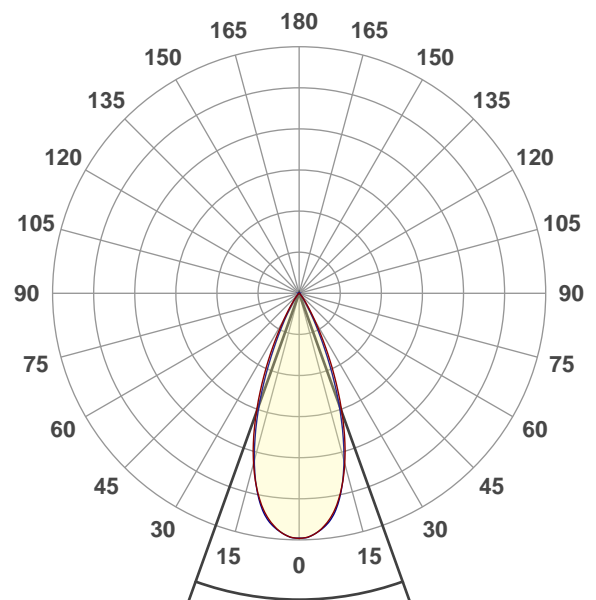
Full On

Operator:

Paolo Carvone

Date and time:

22/04/2021 14:40:38

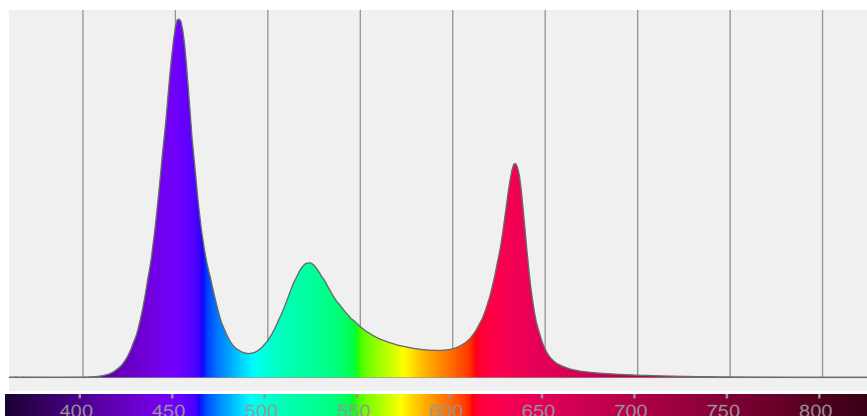


Beam angle 50%: 39,5°

Field angle 10%: 61,2°

Cut off angle 2.5%: 76,3°

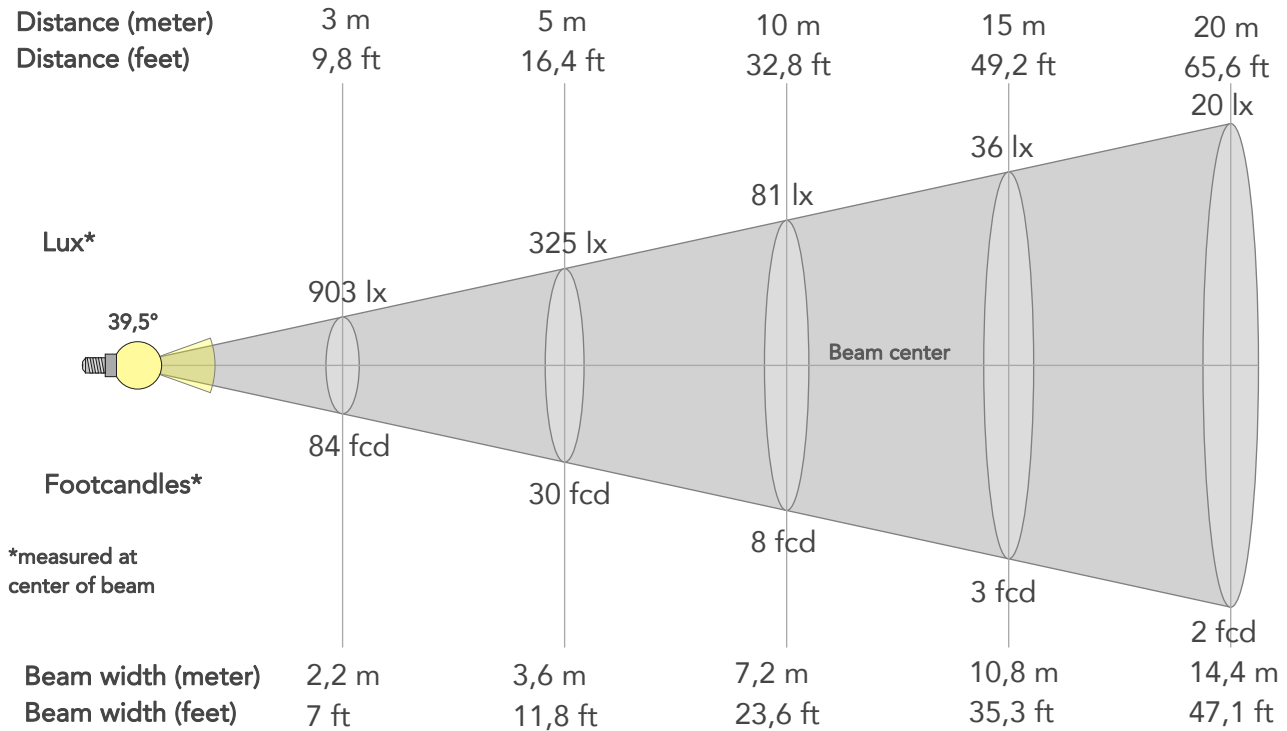
Spectra



# BEAM DETAILS



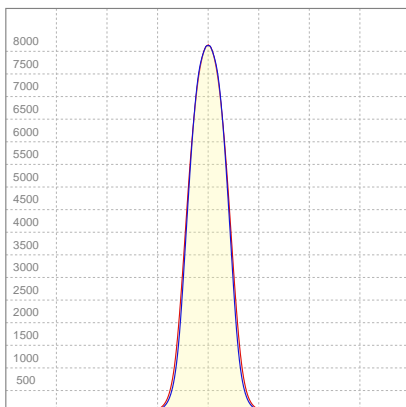
Beam angle 50%	Field angle 10%	Cut off angle 2,5%	Intensity ratio in 120° cone	Intensity ratio in 90° cone
39,5°	61,2°	76,3°	99,7%	98,6%



## BEAM INTENSITIES AND WIDTHS

Distance	1m	2m	3m	4m	5m	7,5m	10m	15m	20m	25m	30m	40m	50m
Distance	3,3ft	6,6ft	9,8ft	13,1ft	16,4ft	24,6ft	32,8ft	49,2ft	65,6ft	82ft	98,4ft	131,2ft	164ft
Lux	8126lx	2032lx	903lx	508lx	325lx	144lx	81lx	36lx	20lx	13lx	9lx	5lx	3lx
Footcand.	755fcd	189fcd	84fcd	47fcd	30fcd	13fcd	8fcd	3fcd	2fcd	1fcd	1fcd	0fcd	0fcd
Beam wid.	0,7m	1,4m	2,2m	2,9m	3,6m	5,4m	7,2m	10,8m	14,4m	18m	21,5m	28,7m	35,9m
Beam wid.	2,4ft	4,7ft	7ft	9,4ft	11,8ft	17,7ft	23,6ft	35,3ft	47,1ft	58,9ft	70,7ft	94,2ft	117,8ft

## LINEAR DISTRIBUTION DIAGRAM

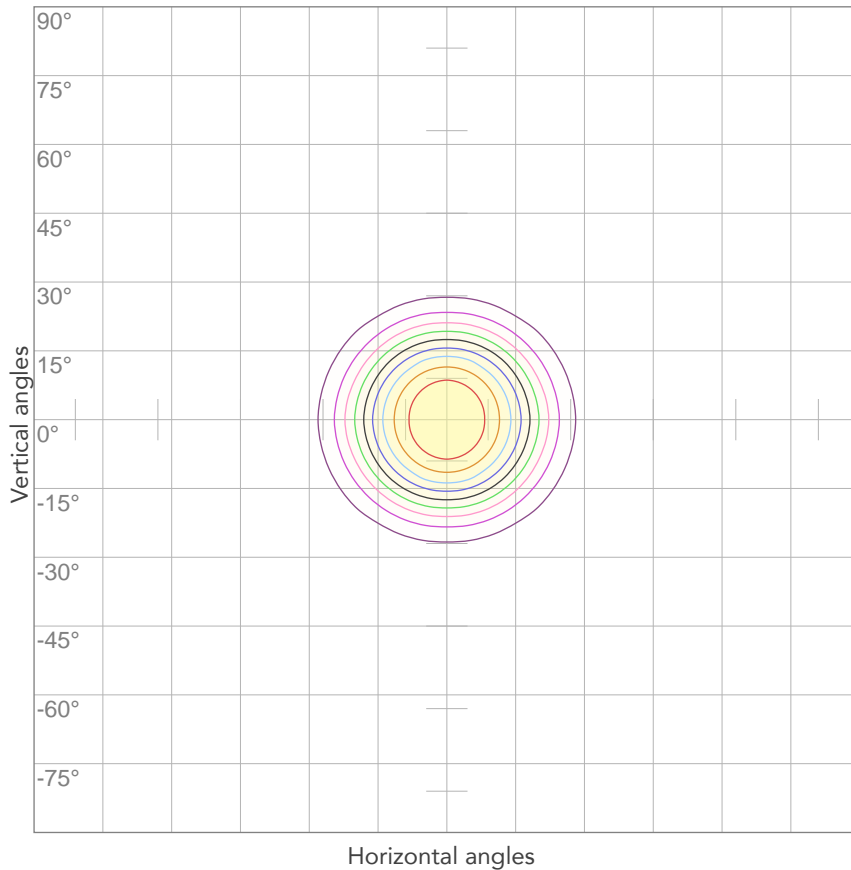


## ELECTRICAL SPECIFICATIONS

Input voltage	Input current	Input power	Effeciency
225V	0,467A	99,1W	37lm/W

Power FC
0,94

## ISO CANDELA DIAGRAM



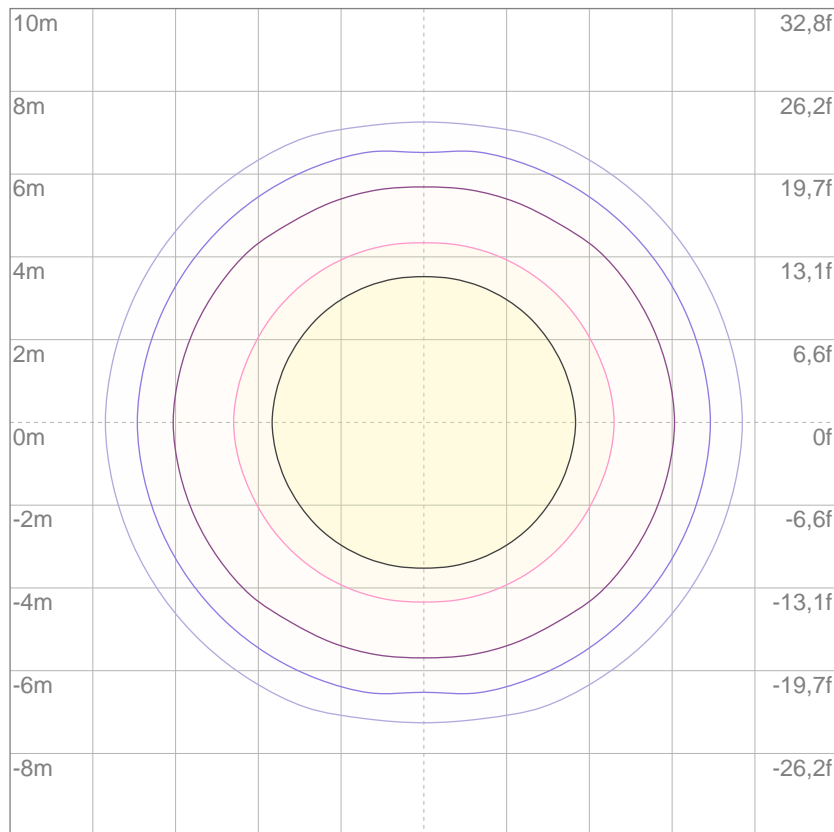
10%	813 cd
20%	1625 cd
30%	2438 cd
40%	3251 cd
50%	4063 cd
60%	4876 cd
70%	5688 cd
80%	6501 cd

Conditions:

Number of c-planes: 4

Candela at center: 8126 cd

## ISO LUX DIAGRAM



3%	2,44 lx
5%	4,06 lx
10%	8,13 lx
30%	24,4 lx
50%	40,6 lx

Conditions:

Number of c-planes: 4

Lux at center: 81,3 lx

*Lux distribution on a surface when lamp is mounted at 10 meters from the surface.*

Mounting height: 10 meters (33 feet)

Total lumen output:

697 lm

Peak candela output:

14374 cd



**PRODUCT NAME:**

LUMIPIX12QTOUR

**MEASUREMENT CONDITIONS:**

Beam angle:

15°

Target:

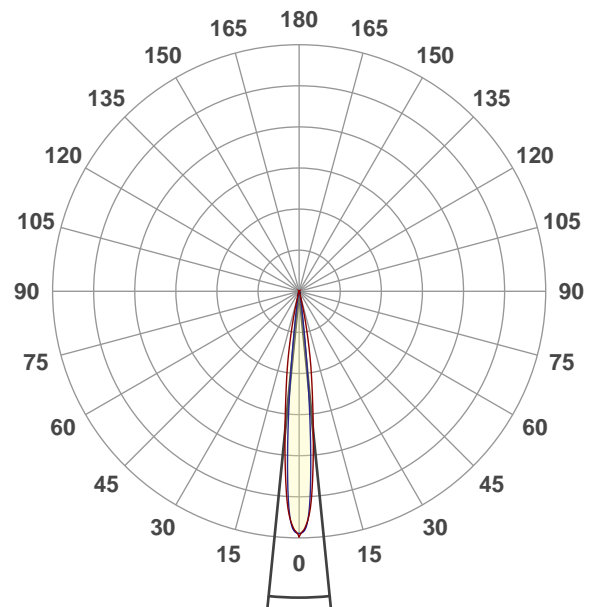
Red

Operator:

Paolo Carvone

Date and time:

22/04/2021 15:15:12

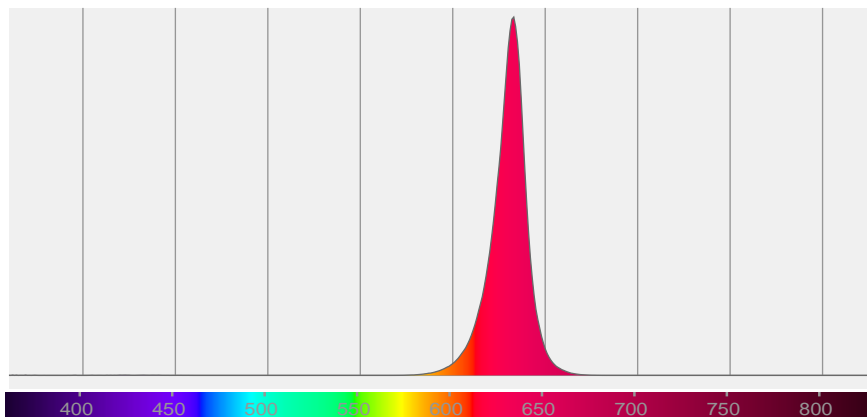


Beam angle 50%: 11,4°

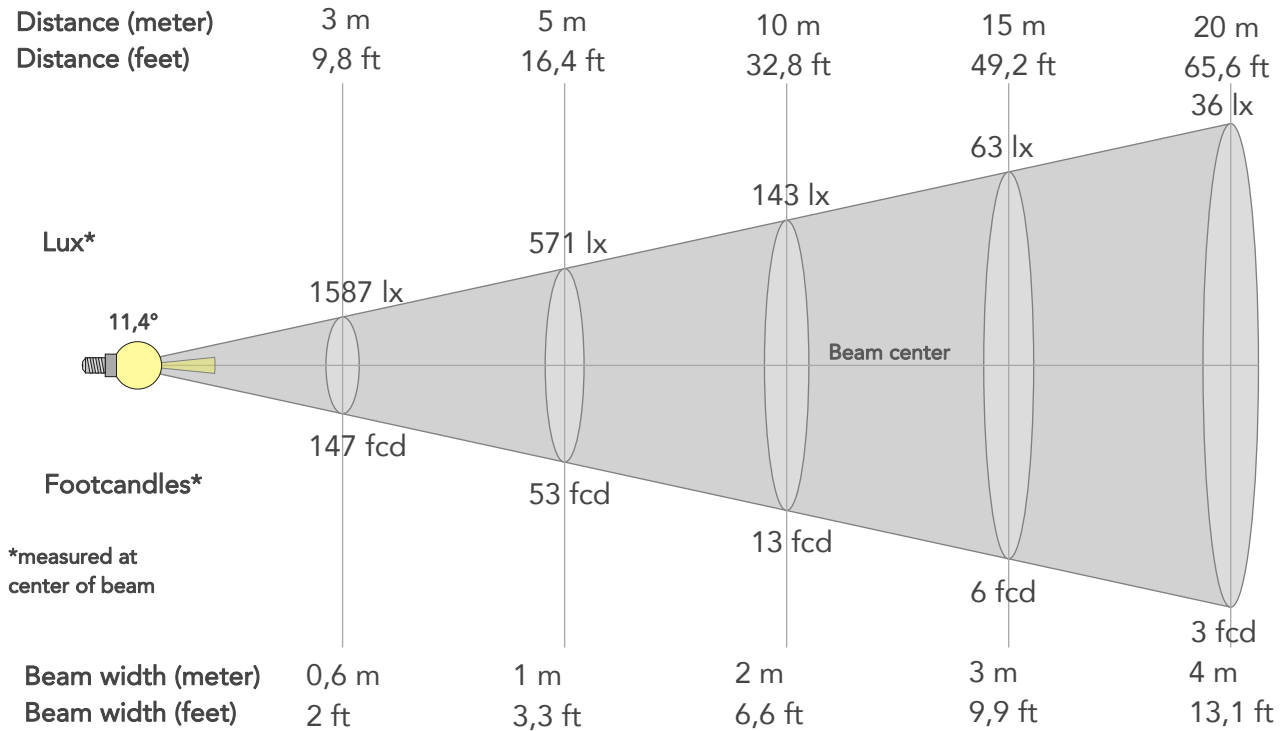
Field angle 10%: 20,3°

Cut off angle 2.5%: 27°

Spectra



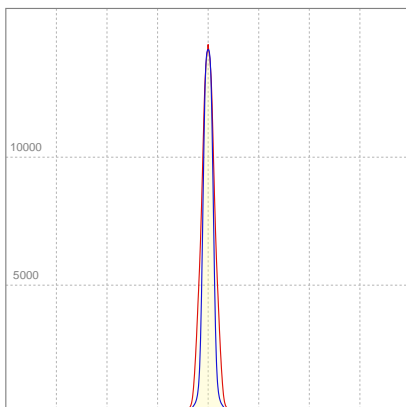
Beam angle 50%	Field angle 10%	Cut off angle 2,5%	Intensity ratio in 120° cone	Intensity ratio in 90° cone
11,4°	20,3°	27°	100,0%	99,9%



## BEAM INTENSITIES AND WIDTHS

Distance	1m	2m	3m	4m	5m	7,5m	10m	15m	20m	25m	30m	40m	50m
Distance	3,3ft	6,6ft	9,8ft	13,1ft	16,4ft	24,6ft	32,8ft	49,2ft	65,6ft	82ft	98,4ft	131,2ft	164ft
Lux	14284lx	3571lx	1587lx	893lx	571lx	254lx	143lx	63lx	36lx	23lx	16lx	9lx	6lx
Footcand.	1327fcd	332fcd	147fcd	83fcd	53fcd	24fcd	13fcd	6fcd	3fcd	2fcd	1fcd	1fcd	1fcd
Beam wid.	0,2m	0,4m	0,6m	0,8m	1m	1,5m	2m	3m	4m	5m	6m	8m	10m
Beam wid.	0,7ft	1,3ft	2ft	2,6ft	3,3ft	4,9ft	6,6ft	9,9ft	13,1ft	16,4ft	19,7ft	26,3ft	32,9ft

## LINEAR DISTRIBUTION DIAGRAM

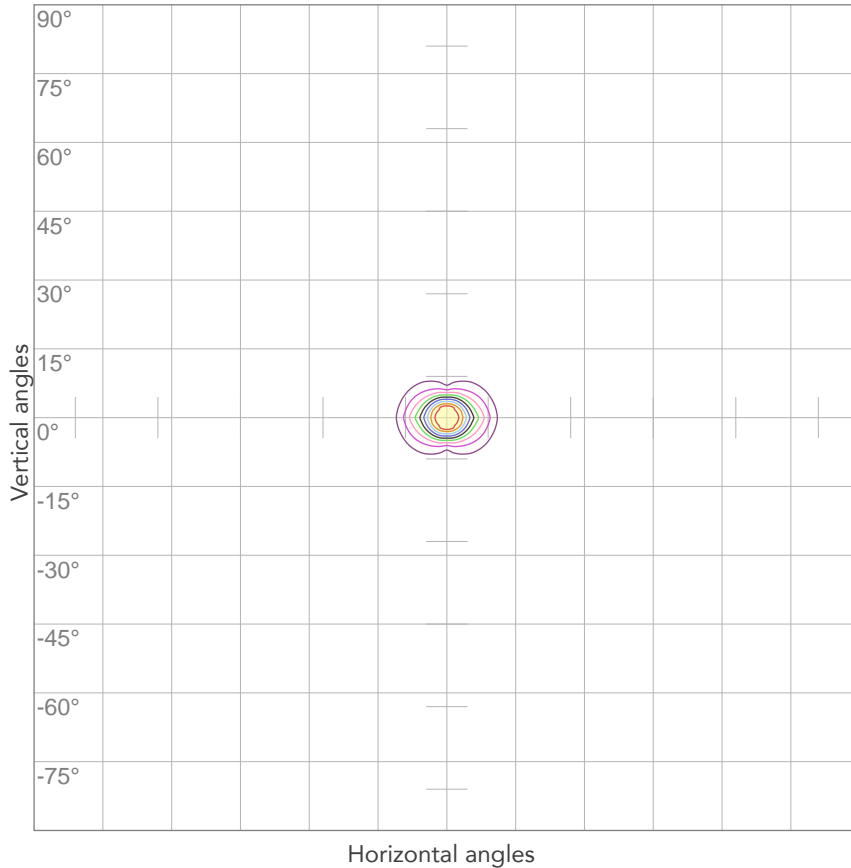


## ELECTRICAL SPECIFICATIONS

Input voltage	Input current	Input power	Effeciency
224V	0,148A	23,4W	30lm/W

Power FC
0,71

## ISO CANDELA DIAGRAM



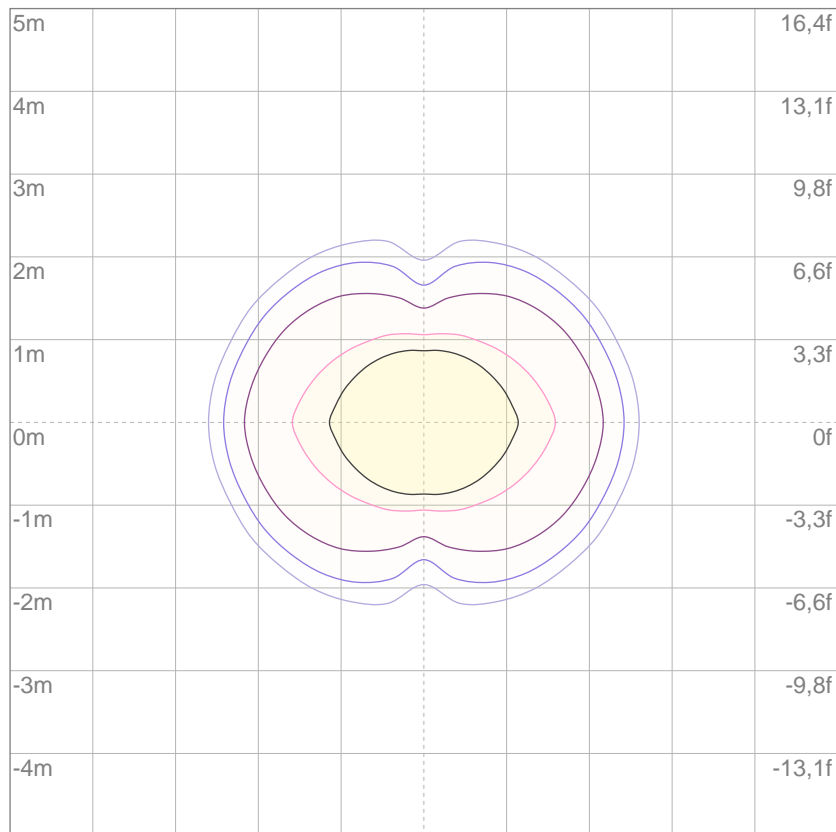
10%	1428 cd
20%	2857 cd
30%	4285 cd
40%	5714 cd
50%	7142 cd
60%	8571 cd
70%	9999 cd
80%	11428 cd

Conditions:

Number of c-planes: 4

Candela at center: 14284 cd

## ISO LUX DIAGRAM



3%	4,29 lx
5%	7,14 lx
10%	14,3 lx
30%	42,9 lx
50%	71,4 lx

Conditions:

Number of c-planes: 4

Lux at center: 143 lx

*Lux distribution on a surface when lamp is mounted at 10 meters from the surface.*

Total lumen output:

697 lm

Peak candela output:

4163 cd



## PRODUCT NAME:

LUMIPIX12QTOUR

## MEASUREMENT CONDITIONS:

Beam angle:

25°

Target:

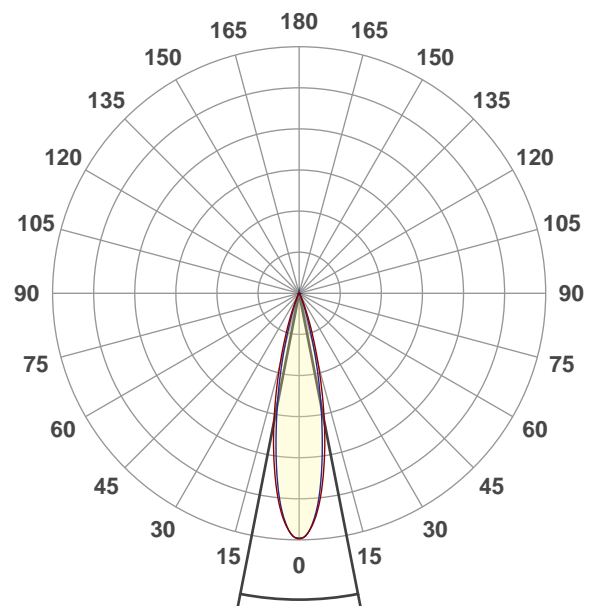
Red

Operator:

Paolo Carvone

Date and time:

22/04/2021 15:41:16

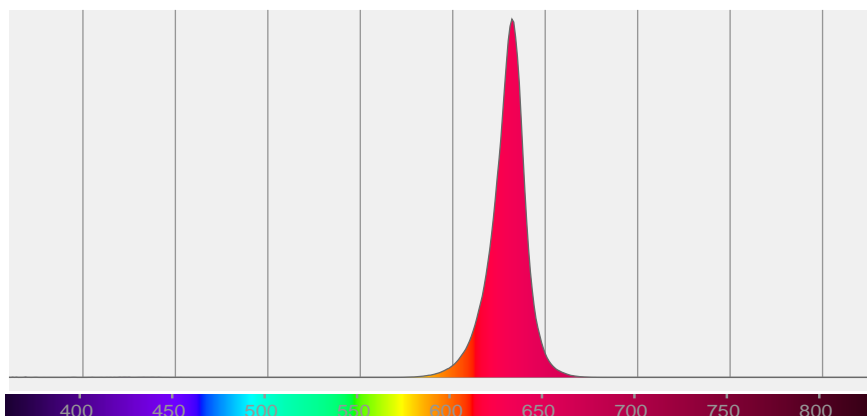


Beam angle 50%: 22,1°

Field angle 10%: 38,8°

Cut off angle 2.5%: 49,8°

## Spectra

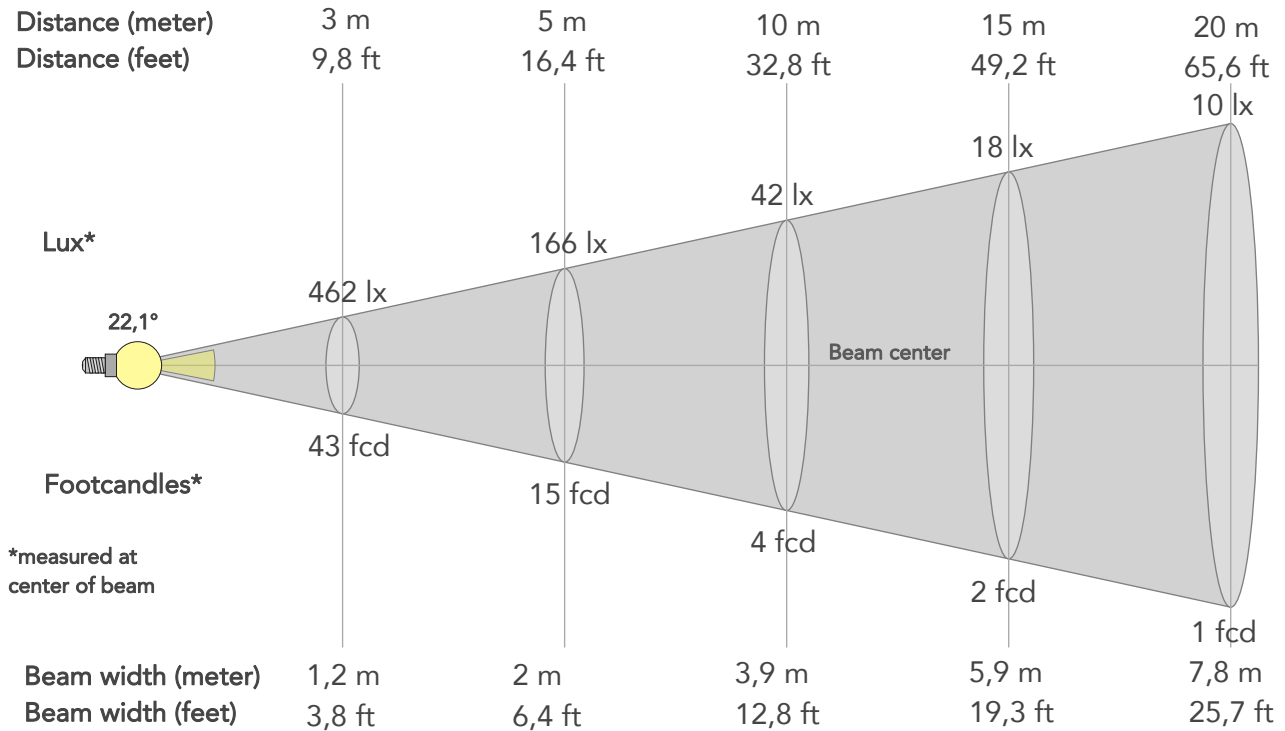




# BEAM DETAILS



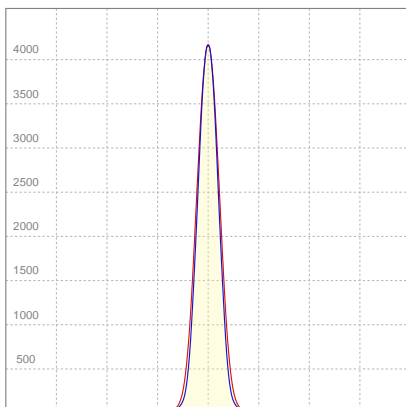
Beam angle 50%	Field angle 10%	Cut off angle 2,5%	Intensity ratio in 120° cone	Intensity ratio in 90° cone
22,1°	38,8°	49,8°	99,9%	99,1%



## BEAM INTENSITIES AND WIDTHS

Distance	1m	2m	3m	4m	5m	7,5m	10m	15m	20m	25m	30m	40m	50m
Distance	3,3ft	6,6ft	9,8ft	13,1ft	16,4ft	24,6ft	32,8ft	49,2ft	65,6ft	82ft	98,4ft	131,2ft	164ft
Lux	4160lx	1040lx	462lx	260lx	166lx	74lx	42lx	18lx	10lx	7lx	5lx	3lx	2lx
Footcand.	386fcd	97fcd	43fcd	24fcd	15fcd	7fcd	4fcd	2fcd	1fcd	1fcd	0fcd	0fcd	0fcd
Beam wid.	0,4m	0,8m	1,2m	1,6m	2m	2,9m	3,9m	5,9m	7,8m	9,8m	11,7m	15,7m	19,6m
Beam wid.	1,3ft	2,6ft	3,8ft	5,1ft	6,4ft	9,6ft	12,8ft	19,3ft	25,7ft	32,1ft	38,5ft	51,4ft	64,2ft

## LINEAR DISTRIBUTION DIAGRAM

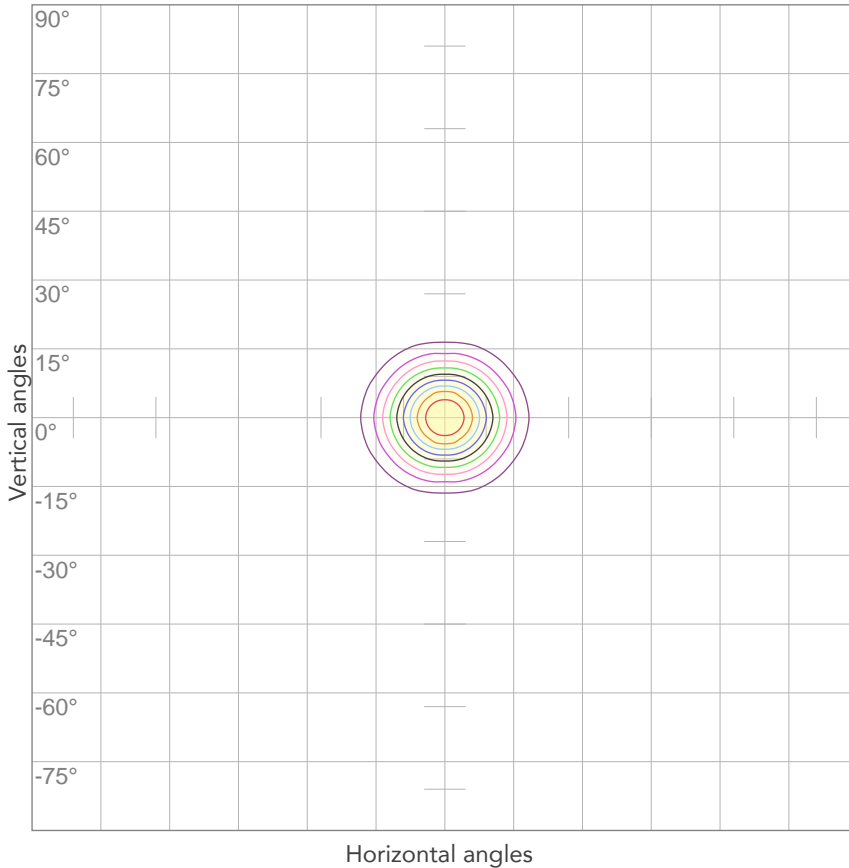


## ELECTRICAL SPECIFICATIONS

Input voltage	Input current	Input power	Effeciency
224V	0,148A	23,5W	30lm/W

Power FC
0,71

## ISO CANDELA DIAGRAM



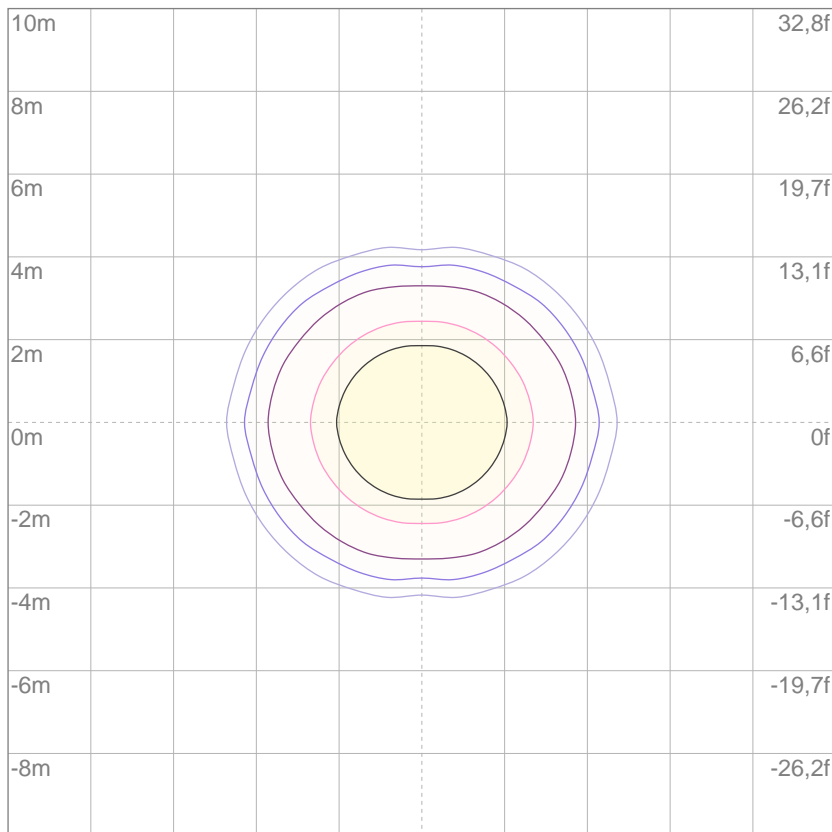
10%	416 cd
20%	832 cd
30%	1248 cd
40%	1664 cd
50%	2080 cd
60%	2496 cd
70%	2912 cd
80%	3328 cd

**Conditions:**

Number of c-planes: 4

Candela at center: 4160 cd

## ISO LUX DIAGRAM



3%	1,25 lx
5%	2,08 lx
10%	4,16 lx
30%	12,5 lx
50%	20,8 lx

**Conditions:**

Number of c-planes: 4

Lux at center: 41,6 lx

*Lux distribution on a surface when lamp is mounted at 10 meters from the surface.*

Mounting height: 10 meters (33 feet)

Total lumen output:

693 lm

Peak candela output:

1566 cd



**PRODUCT NAME:**

LUMIPIX12QTOUR

**MEASUREMENT CONDITIONS:**

Beam angle:

45°

Target:

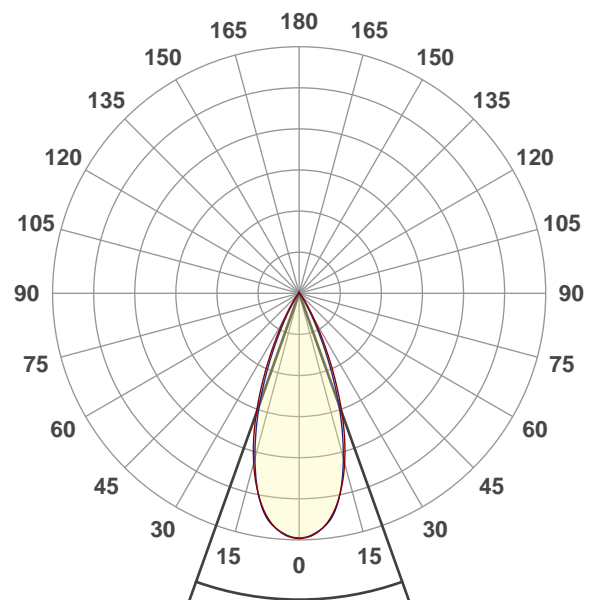
Red

Operator:

Paolo Carvone

Date and time:

22/04/2021 14:43:44

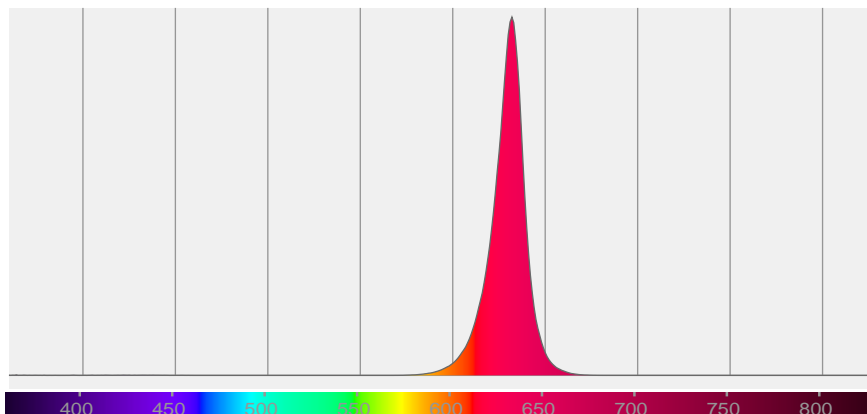


Beam angle 50%: 39,3°

Field angle 10%: 60,7°

Cut off angle 2.5%: 75,5°

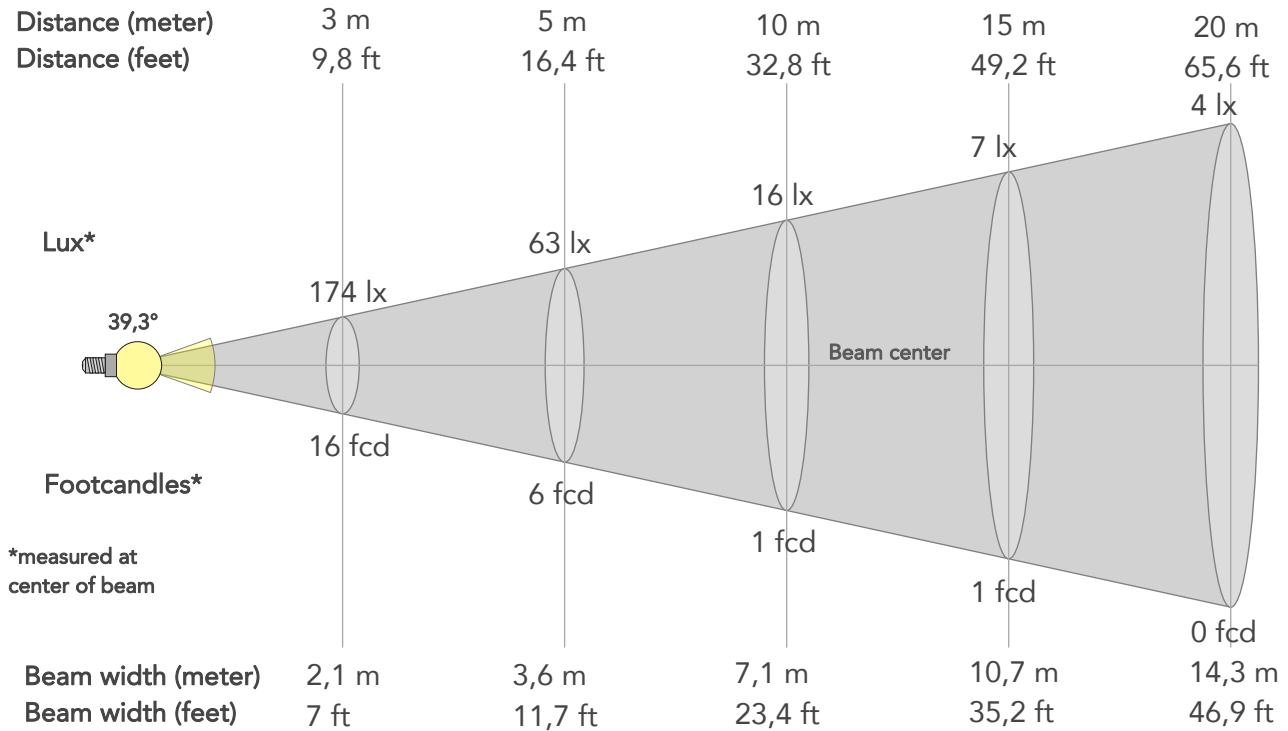
Spectra



# BEAM DETAILS



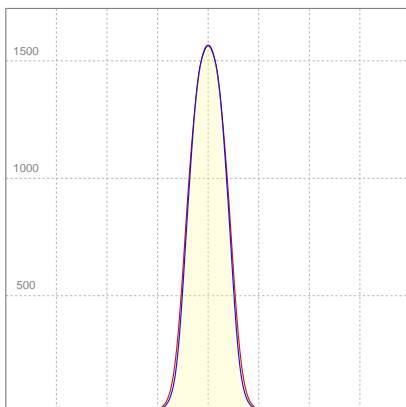
Beam angle 50%	Field angle 10%	Cut off angle 2,5%	Intensity ratio in 120° cone	Intensity ratio in 90° cone
39,3°	60,7°	75,5°	99,5%	98,3%



## BEAM INTENSITIES AND WIDTHS

Distance	1m	2m	3m	4m	5m	7,5m	10m	15m	20m	25m	30m	40m	50m
Distance	3,3ft	6,6ft	9,8ft	13,1ft	16,4ft	24,6ft	32,8ft	49,2ft	65,6ft	82ft	98,4ft	131,2ft	164ft
Lux	1565lx	391lx	174lx	98lx	63lx	28lx	16lx	7lx	4lx	3lx	2lx	1lx	1lx
Footcand.	145fcd	36fcd	16fcd	9fcd	6fcd	3fcd	1fcd	1fcd	0fcd	0fcd	0fcd	0fcd	0fcd
Beam wid.	0,7m	1,4m	2,1m	2,9m	3,6m	5,4m	7,1m	10,7m	14,3m	17,9m	21,4m	28,6m	35,7m
Beam wid.	2,4ft	4,7ft	7ft	9,4ft	11,7ft	17,6ft	23,4ft	35,2ft	46,9ft	58,6ft	70,3ft	93,8ft	117,2ft

## LINEAR DISTRIBUTION DIAGRAM

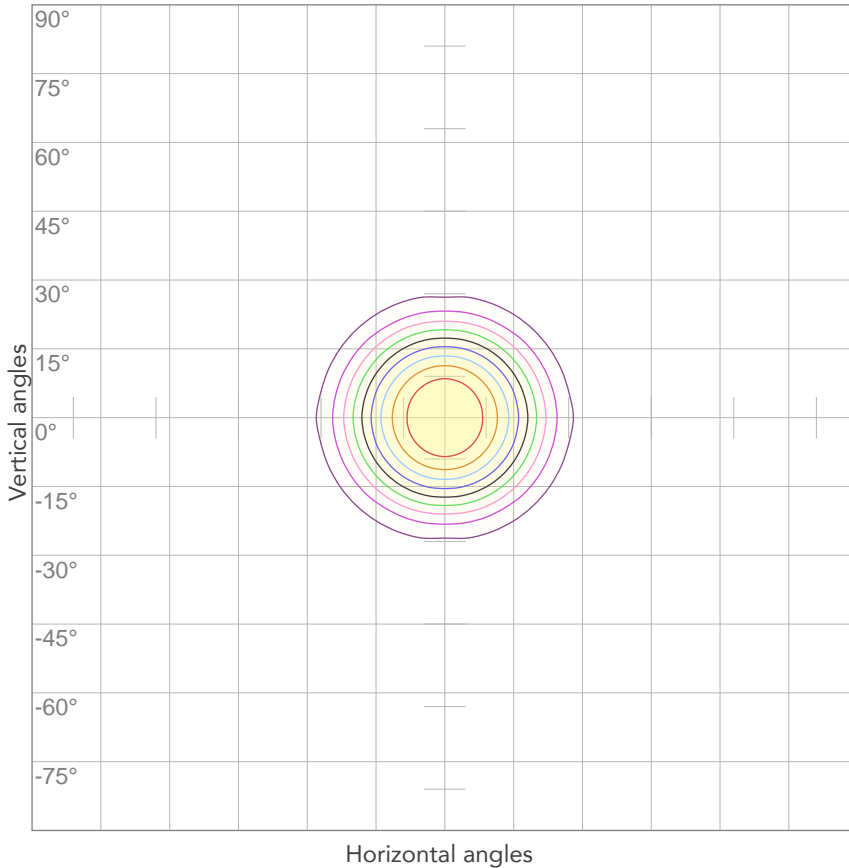


## ELECTRICAL SPECIFICATIONS

Input voltage	Input current	Input power	Effeciency
224V	0,149A	23,6W	29lm/W

Power FC
0,7

## ISO CANDELA DIAGRAM



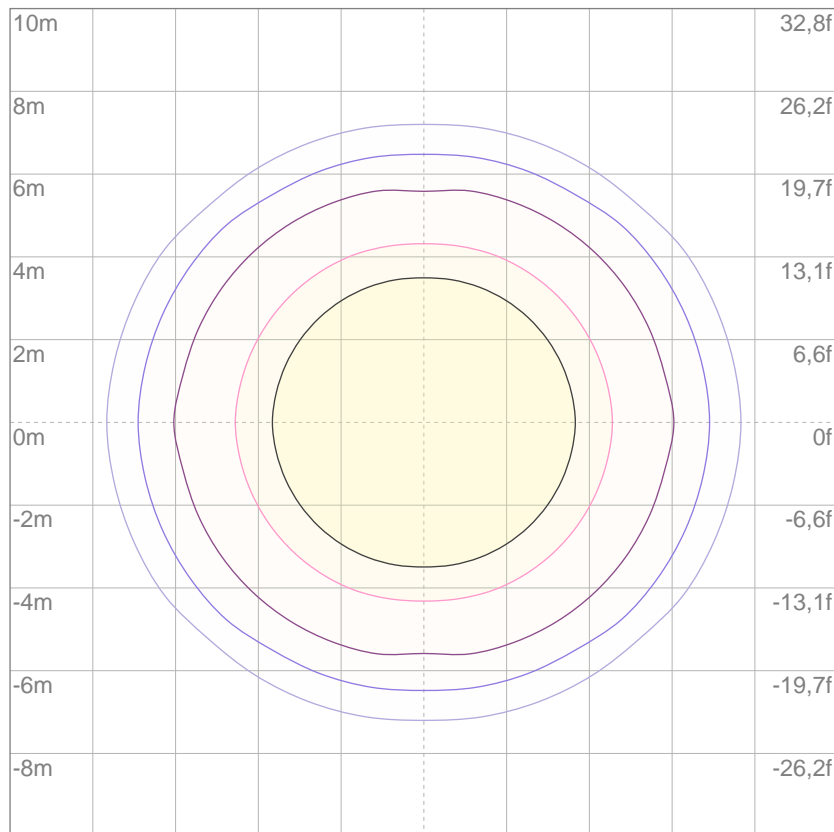
10%	156 cd
20%	313 cd
30%	469 cd
40%	626 cd
50%	782 cd
60%	939 cd
70%	1095 cd
80%	1252 cd

**Conditions:**

Number of c-planes: 4

Candela at center: 1565 cd

## ISO LUX DIAGRAM



3%	0,469 lx
5%	0,782 lx
10%	1,56 lx
30%	4,69 lx
50%	7,82 lx

**Conditions:**

Number of c-planes: 4

Lux at center: 15,6 lx

*Lux distribution on a surface when lamp is mounted at 10 meters from the surface.*

Mounting height: 10 meters (33 feet)

Total lumen output:

1457 lm

Peak candela output:

29138 cd



**PRODUCT NAME:**

LUMIPIX12QTOUR

**MEASUREMENT CONDITIONS:**

Beam angle:

15°

Target:

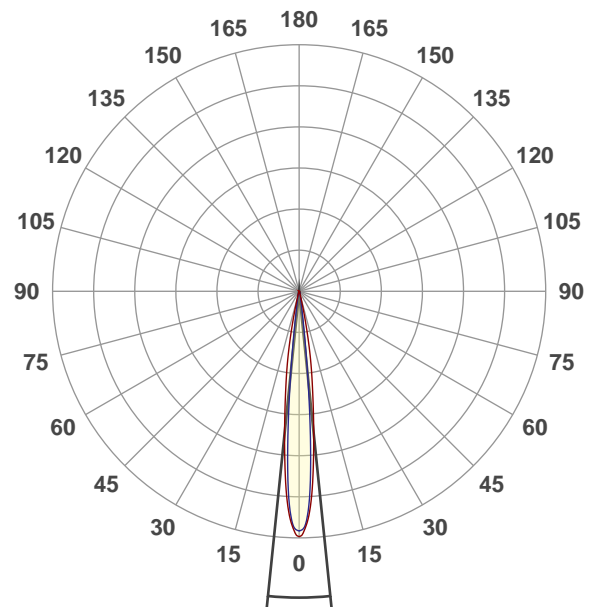
Green

Operator:

Paolo Carvone

Date and time:

22/04/2021 15:17:37

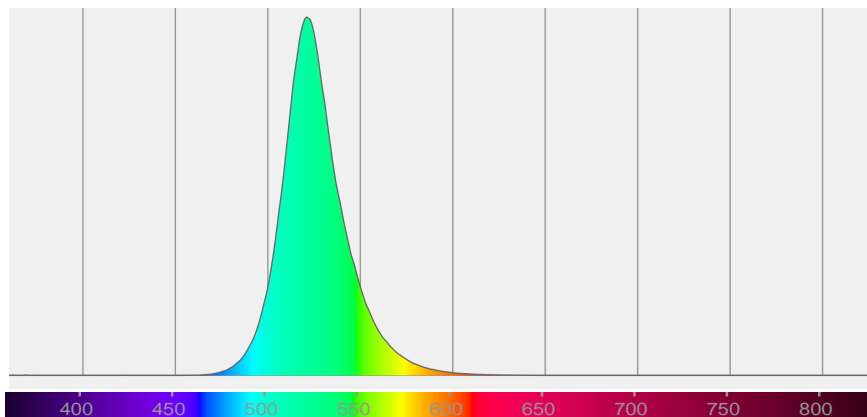


Beam angle 50%: 11,7°

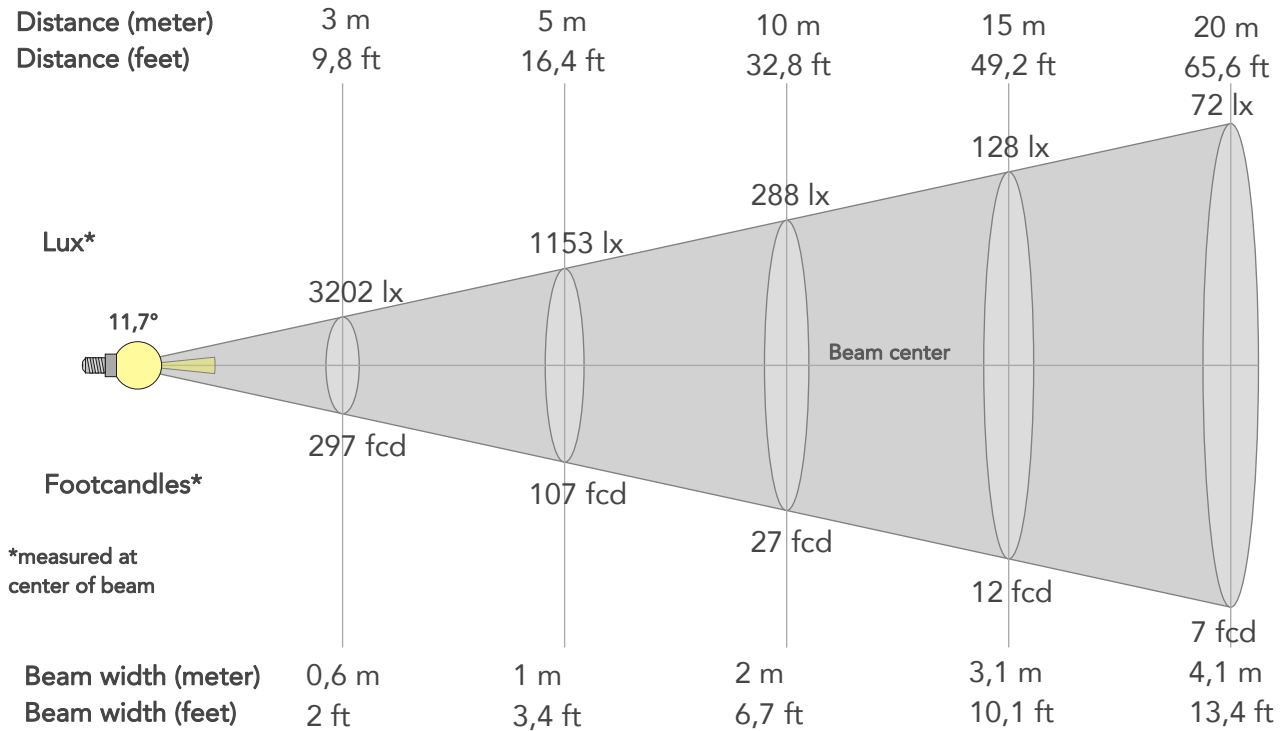
Field angle 10%: 20,4°

Cut off angle 2.5%: 27,6°

Spectra



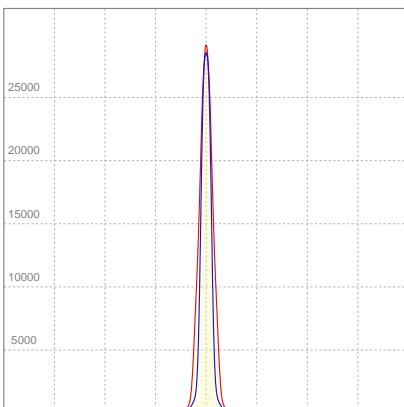
Beam angle 50%	Field angle 10%	Cut off angle 2,5%	Intensity ratio in 120° cone	Intensity ratio in 90° cone
11,7°	20,4°	27,6°	100,0%	99,9%



## BEAM INTENSITIES AND WIDTHS

Distance	1m	2m	3m	4m	5m	7,5m	10m	15m	20m	25m	30m	40m	50m
Distance	3,3ft	6,6ft	9,8ft	13,1ft	16,4ft	24,6ft	32,8ft	49,2ft	65,6ft	82ft	98,4ft	131,2ft	164ft
Lux	28814lx	7203lx	3202lx	1801lx	1153lx	512lx	288lx	128lx	72lx	46lx	32lx	18lx	12lx
Footcand.	2677fcd	669fcd	297fcd	167fcd	107fcd	48fcd	27fcd	12fcd	7fcd	4fcd	3fcd	2fcd	1fcd
Beam wid.	0,2m	0,4m	0,6m	0,8m	1m	1,5m	2m	3,1m	4,1m	5,1m	6,1m	8,2m	10,2m
Beam wid.	0,7ft	1,4ft	2ft	2,7ft	3,4ft	5ft	6,7ft	10,1ft	13,4ft	16,8ft	20,1ft	26,9ft	33,6ft

## LINEAR DISTRIBUTION DIAGRAM

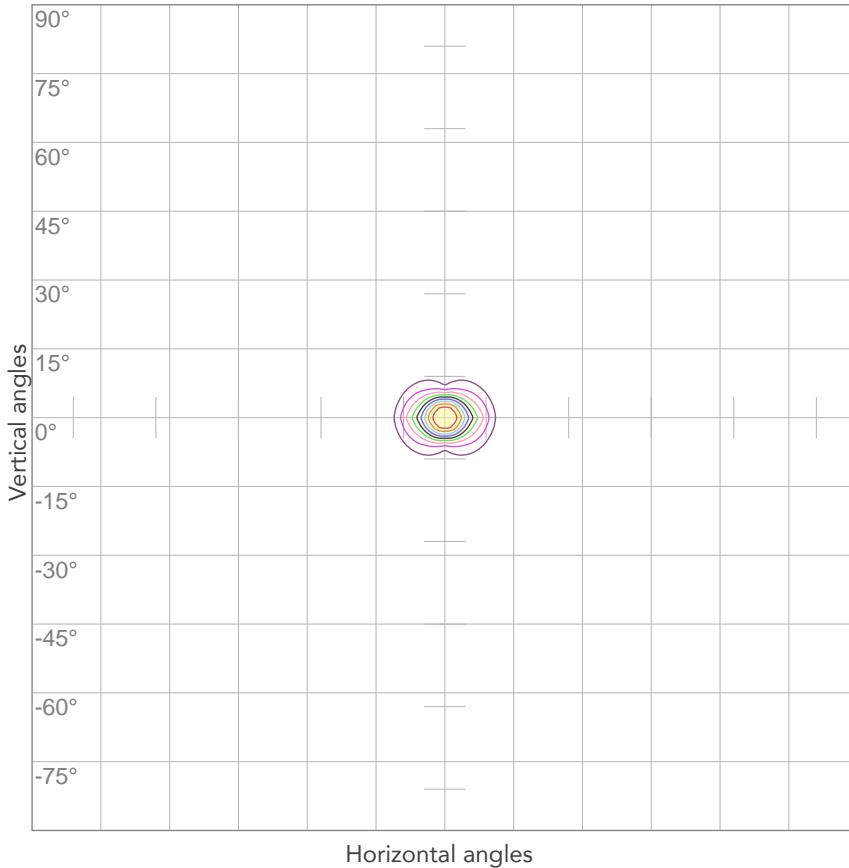


## ELECTRICAL SPECIFICATIONS

Input voltage	Input current	Input power	Effeciency
224V	0,167A	28,4W	51lm/W

Power FC
0,76

## ISO CANDELA DIAGRAM



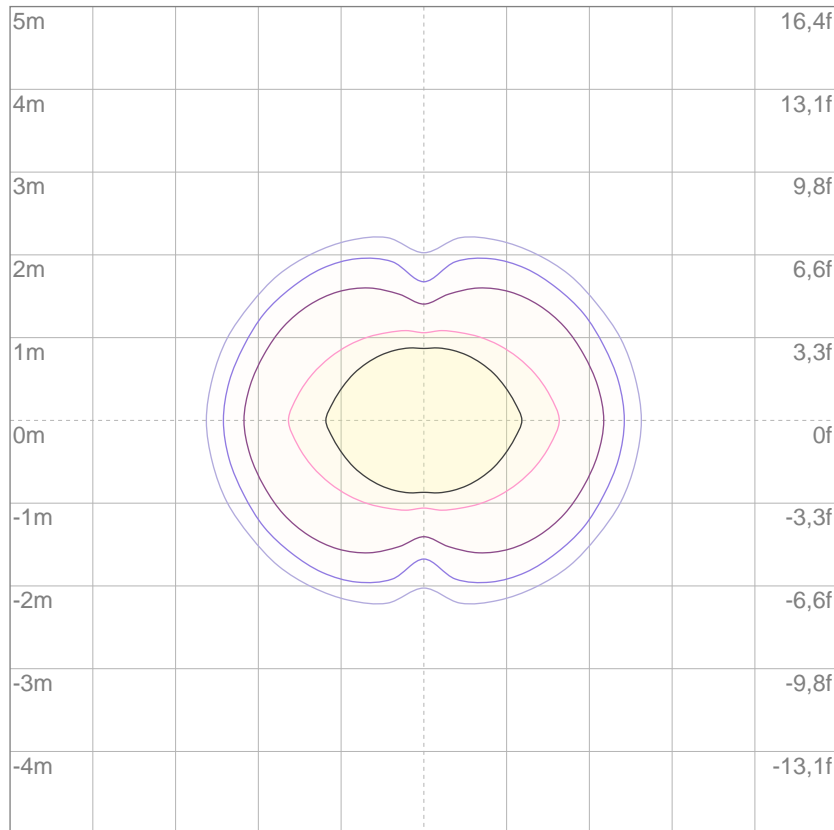
10%	2881 cd
20%	5763 cd
30%	8644 cd
40%	11526 cd
50%	14407 cd
60%	17288 cd
70%	20170 cd
80%	23051 cd

Conditions:

Number of c-planes: 4

Candela at center: 28814 cd

## ISO LUX DIAGRAM



3%	8,64 lx
5%	14,4 lx
10%	28,8 lx
30%	86,4 lx
50%	144 lx

Conditions:

Number of c-planes: 4

Lux at center: 288 lx

*Lux distribution on a surface when lamp is mounted at 10 meters from the surface.*

Mounting height: 10 meters (33 feet)



Total lumen output:

1428 lm

Peak candela output:

8505 cd



## PRODUCT NAME:

LUMIPIX12QTOUR

## MEASUREMENT CONDITIONS:

Beam angle:

25°

Target:

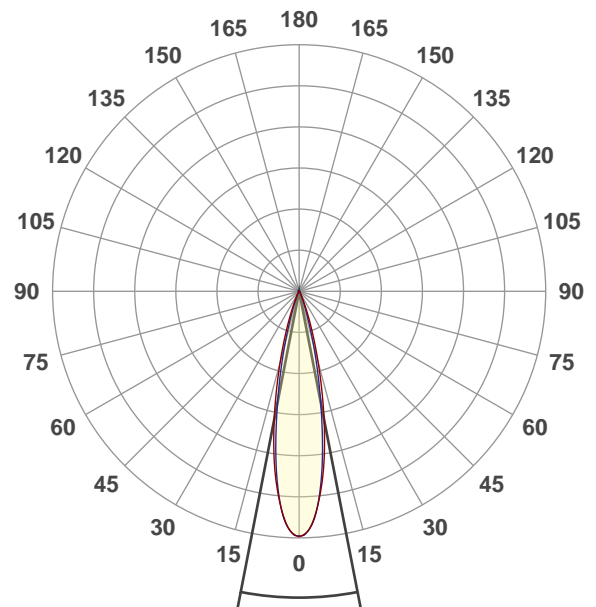
Green

Operator:

Paolo Carvone

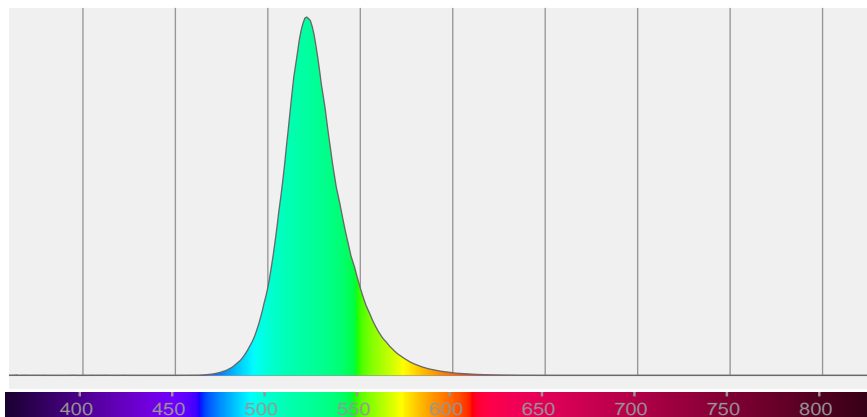
Date and time:

22/04/2021 15:45:42



Beam angle 50%: 22°  
Field angle 10%: 38,7°  
Cut off angle 2.5%: 50,3°

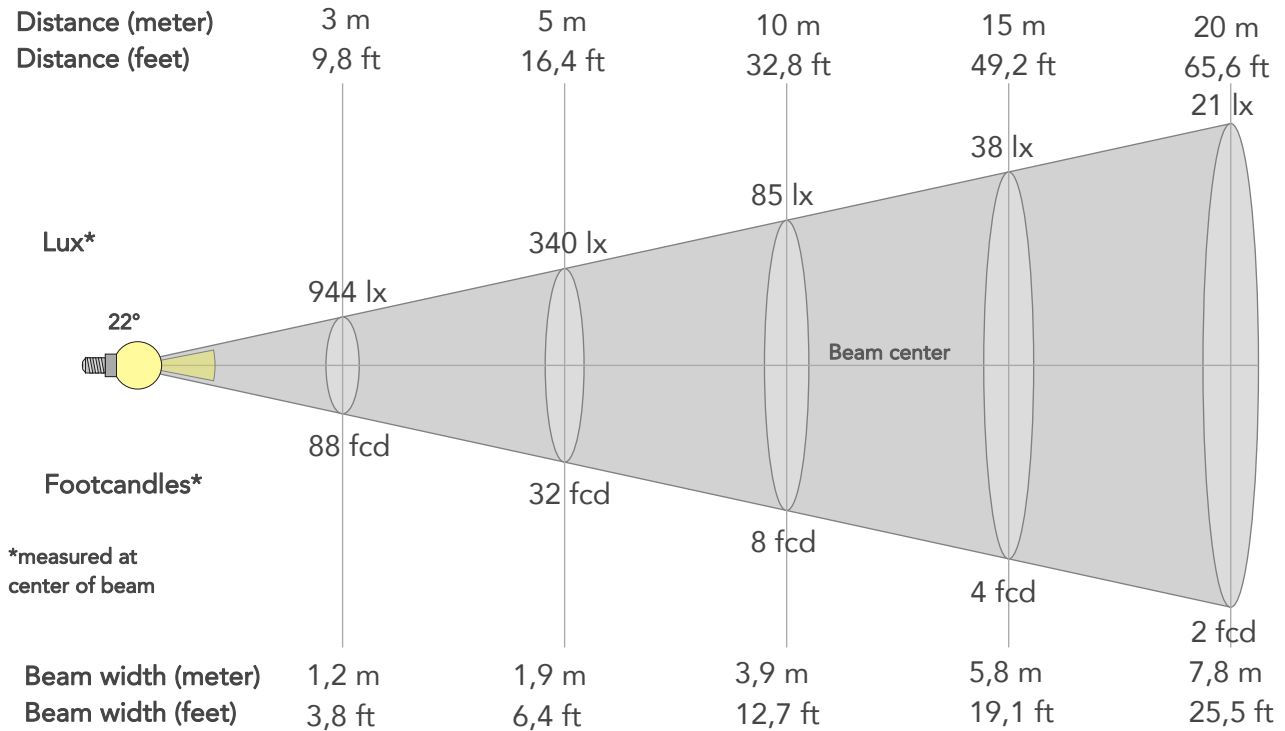
## Spectra



# BEAM DETAILS



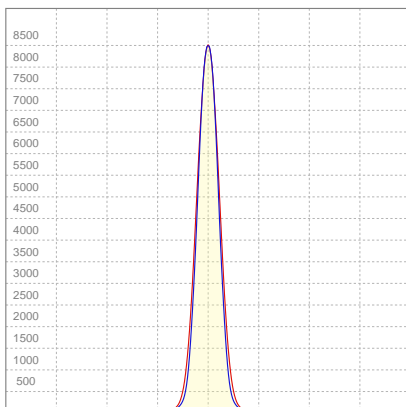
Beam angle 50%	Field angle 10%	Cut off angle 2,5%	Intensity ratio in 120° cone	Intensity ratio in 90° cone
22°	38,7°	50,3°	99,9%	98,9%



## BEAM INTENSITIES AND WIDTHS

Distance	1m	2m	3m	4m	5m	7,5m	10m	15m	20m	25m	30m	40m	50m
Distance	3,3ft	6,6ft	9,8ft	13,1ft	16,4ft	24,6ft	32,8ft	49,2ft	65,6ft	82ft	98,4ft	131,2ft	164ft
Lux	8492lx	2123lx	944lx	531lx	340lx	151lx	85lx	38lx	21lx	14lx	9lx	5lx	3lx
Footcand.	789fcd	197fcd	88fcd	49fcd	32fcd	14fcd	8fcd	4fcd	2fcd	1fcd	1fcd	0fcd	0fcd
Beam wid.	0,4m	0,8m	1,2m	1,6m	1,9m	2,9m	3,9m	5,8m	7,8m	9,7m	11,7m	15,5m	19,4m
Beam wid.	1,3ft	2,6ft	3,8ft	5,1ft	6,4ft	9,6ft	12,7ft	19,1ft	25,5ft	31,9ft	38,2ft	51ft	63,7ft

## LINEAR DISTRIBUTION DIAGRAM

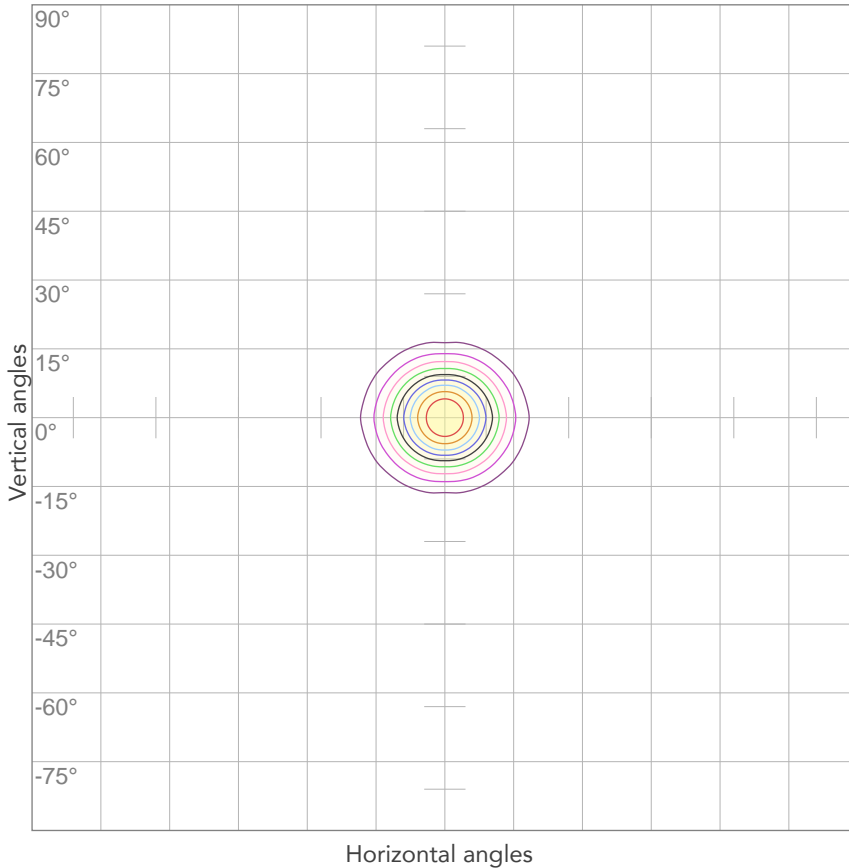


## ELECTRICAL SPECIFICATIONS

Input voltage	Input current	Input power	Effeciency
224V	0,167A	28,5W	50lm/W

Power FC
0,76

## ISO CANDELA DIAGRAM



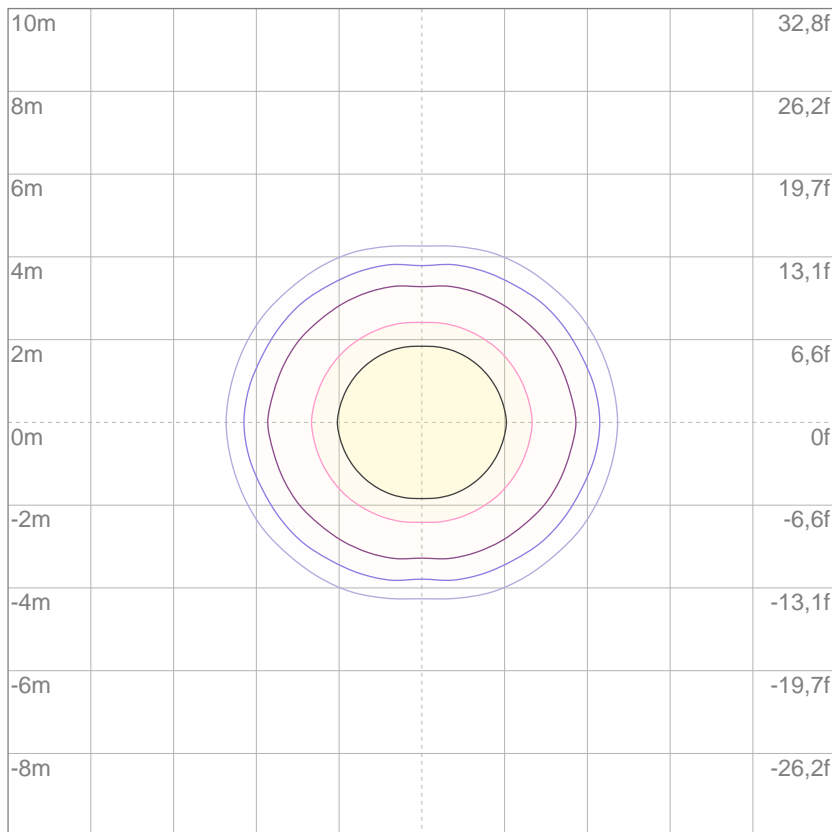
10%	849 cd
20%	1698 cd
30%	2548 cd
40%	3397 cd
50%	4246 cd
60%	5095 cd
70%	5944 cd
80%	6794 cd

Conditions:

Number of c-planes: 4

Candela at center: 8492 cd

## ISO LUX DIAGRAM



3%	2,55 lx
5%	4,25 lx
10%	8,49 lx
30%	25,5 lx
50%	42,5 lx

Conditions:

Number of c-planes: 4

Lux at center: 84,9 lx

*Lux distribution on a surface when lamp is mounted at 10 meters from the surface.*

Mounting height: 10 meters (33 feet)

Total lumen output:

1398 lm

Peak candela output:

3154 cd



**PRODUCT NAME:**

LUMIPIX12QTOUR

**MEASUREMENT CONDITIONS:**

Beam angle:

45°

Target:

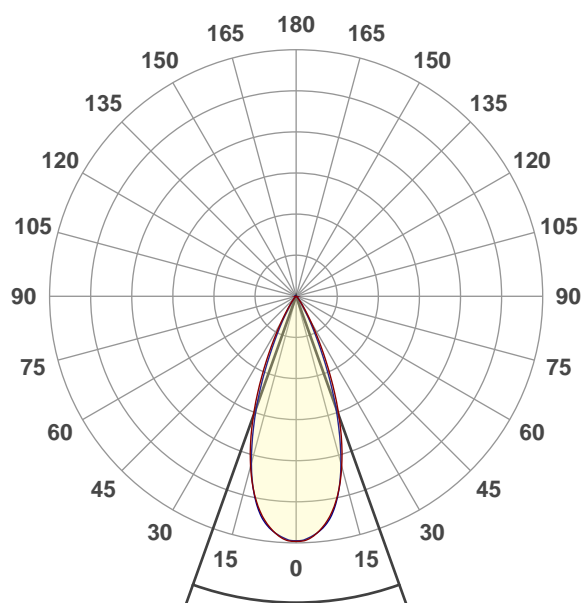
Green

Operator:

Paolo Carvone

Date and time:

22/04/2021 14:46:02

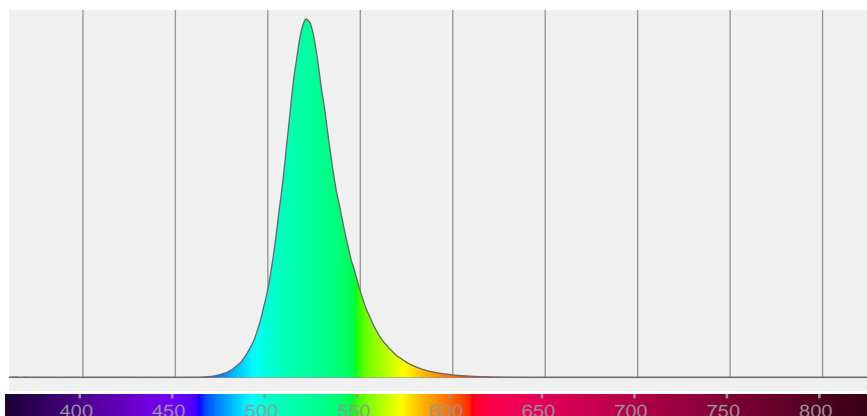


Beam angle 50%: 39,4°

Field angle 10%: 60,9°

Cut off angle 2.5%: 76,1°

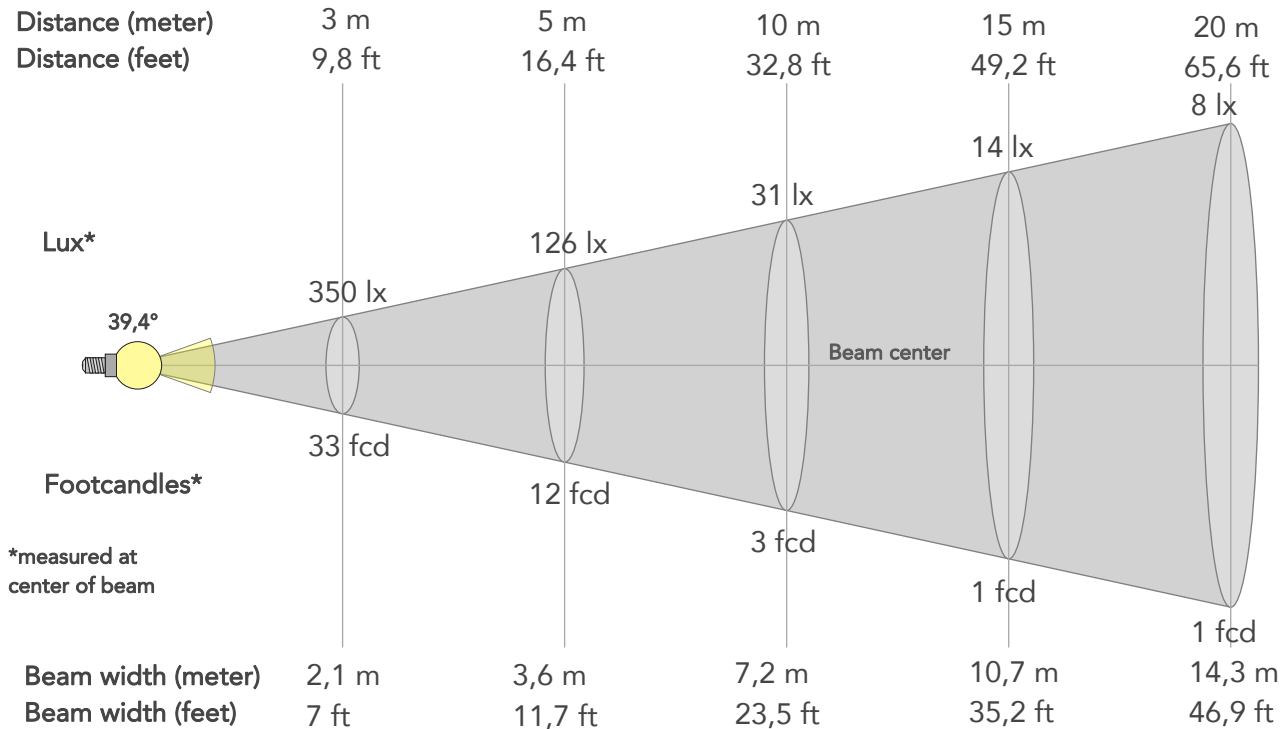
Spectra



# BEAM DETAILS



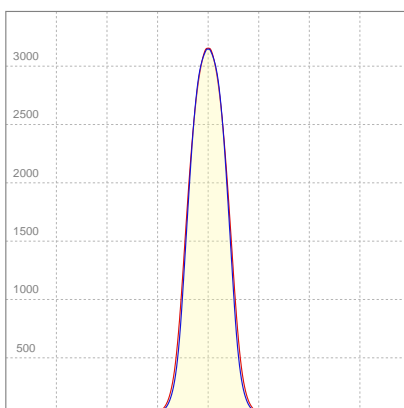
Beam angle 50%	Field angle 10%	Cut off angle 2,5%	Intensity ratio in 120° cone	Intensity ratio in 90° cone
39,4°	60,9°	76,1°	99,6%	98,4%



## BEAM INTENSITIES AND WIDTHS

Distance	1m	2m	3m	4m	5m	7,5m	10m	15m	20m	25m	30m	40m	50m
Distance	3,3ft	6,6ft	9,8ft	13,1ft	16,4ft	24,6ft	32,8ft	49,2ft	65,6ft	82ft	98,4ft	131,2ft	164ft
Lux	3148lx	787lx	350lx	197lx	126lx	56lx	31lx	14lx	8lx	5lx	3lx	2lx	1lx
Footcand.	293fcd	73fcd	33fcd	18fcd	12fcd	5fcd	3fcd	1fcd	1fcd	0fcd	0fcd	0fcd	0fcd
Beam wid.	0,7m	1,4m	2,1m	2,9m	3,6m	5,4m	7,2m	10,7m	14,3m	17,9m	21,5m	28,6m	35,8m
Beam wid.	2,4ft	4,7ft	7ft	9,4ft	11,7ft	17,6ft	23,5ft	35,2ft	46,9ft	58,7ft	70,4ft	93,9ft	117,4ft

## LINEAR DISTRIBUTION DIAGRAM

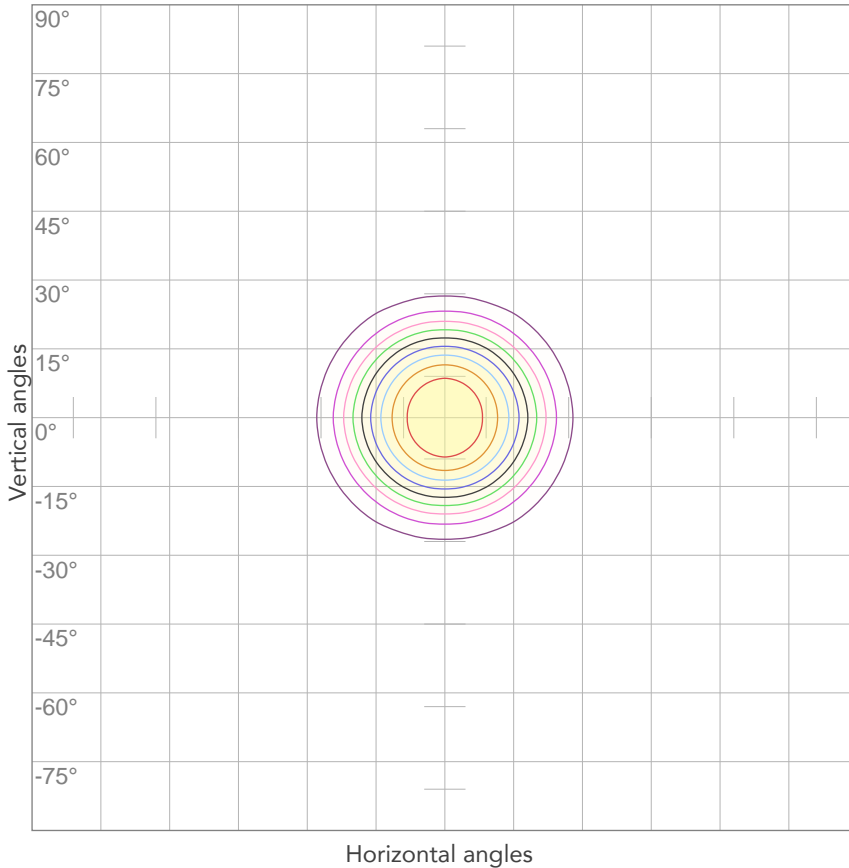


## ELECTRICAL SPECIFICATIONS

Input voltage	Input current	Input power	Effeciency
224V	0,168A	28,6W	49lm/W

Power FC
0,76

## ISO CANDELA DIAGRAM



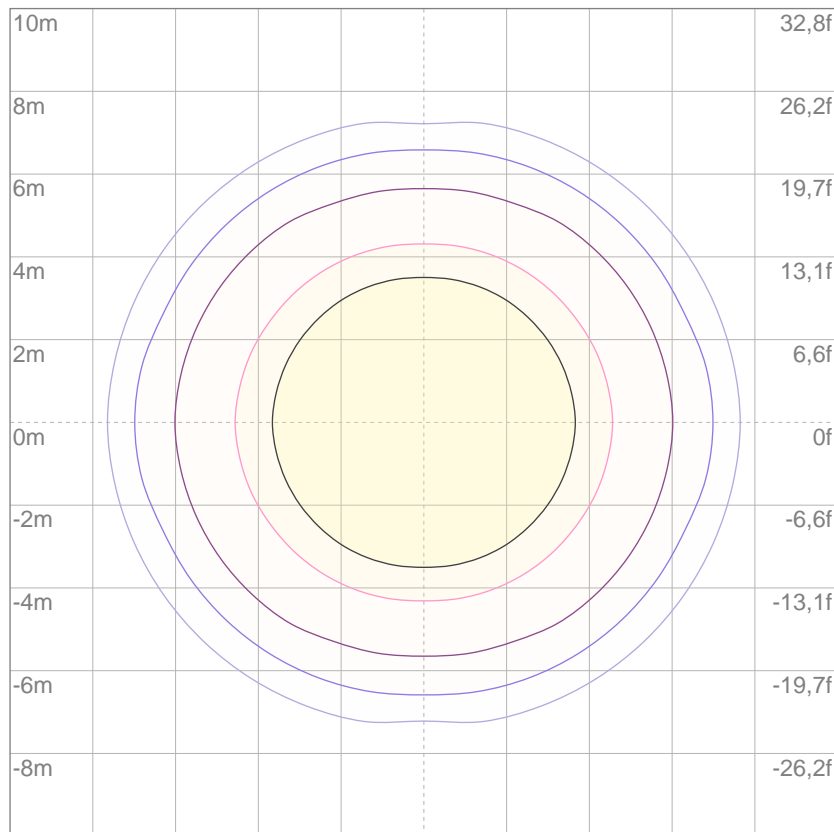
10%	315 cd
20%	630 cd
30%	945 cd
40%	1259 cd
50%	1574 cd
60%	1889 cd
70%	2204 cd
80%	2519 cd

Conditions:

Number of c-planes: 4

Candela at center: 3148 cd

## ISO LUX DIAGRAM



3%	0,945 lx
5%	1,57 lx
10%	3,15 lx
30%	9,45 lx
50%	15,7 lx

Conditions:

Number of c-planes: 4

Lux at center: 31,5 lx

*Lux distribution on a surface when lamp is mounted at 10 meters from the surface.*

Total lumen output:

275 lm

Peak candela output:

4725 cd



**PRODUCT NAME:**

LUMIPIX12QTOUR

**MEASUREMENT CONDITIONS:**

Beam angle:

15°

Target:

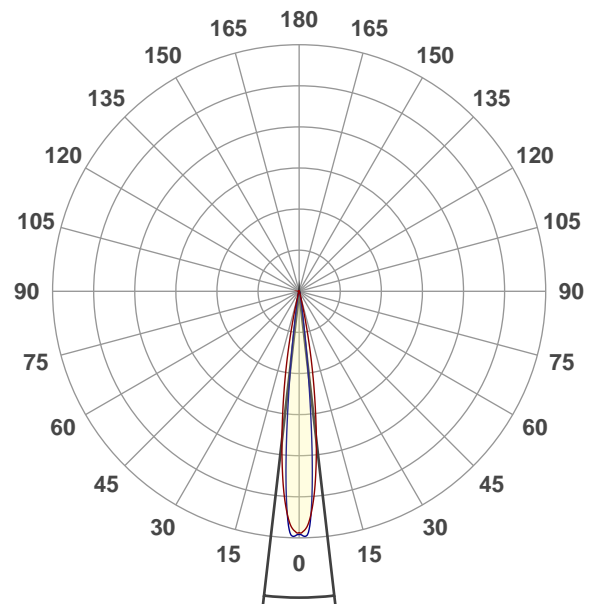
Blue

Operator:

Paolo Carvone

Date and time:

22/04/2021 15:21:29

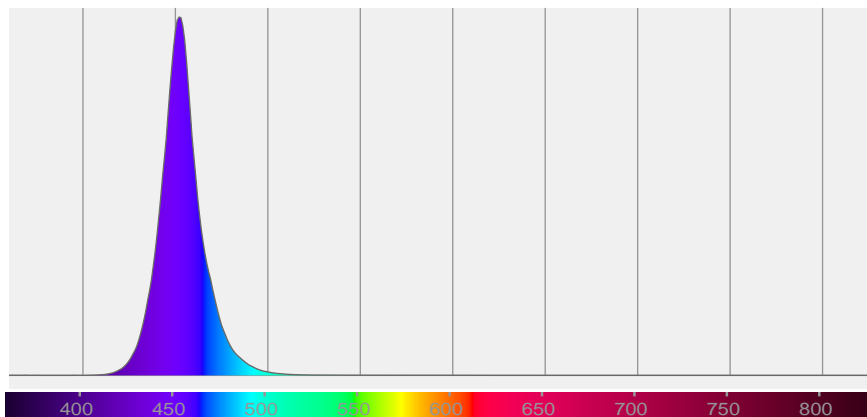


Beam angle 50%: 13,2°

Field angle 10%: 21,2°

Cut off angle 2.5%: 28,5°

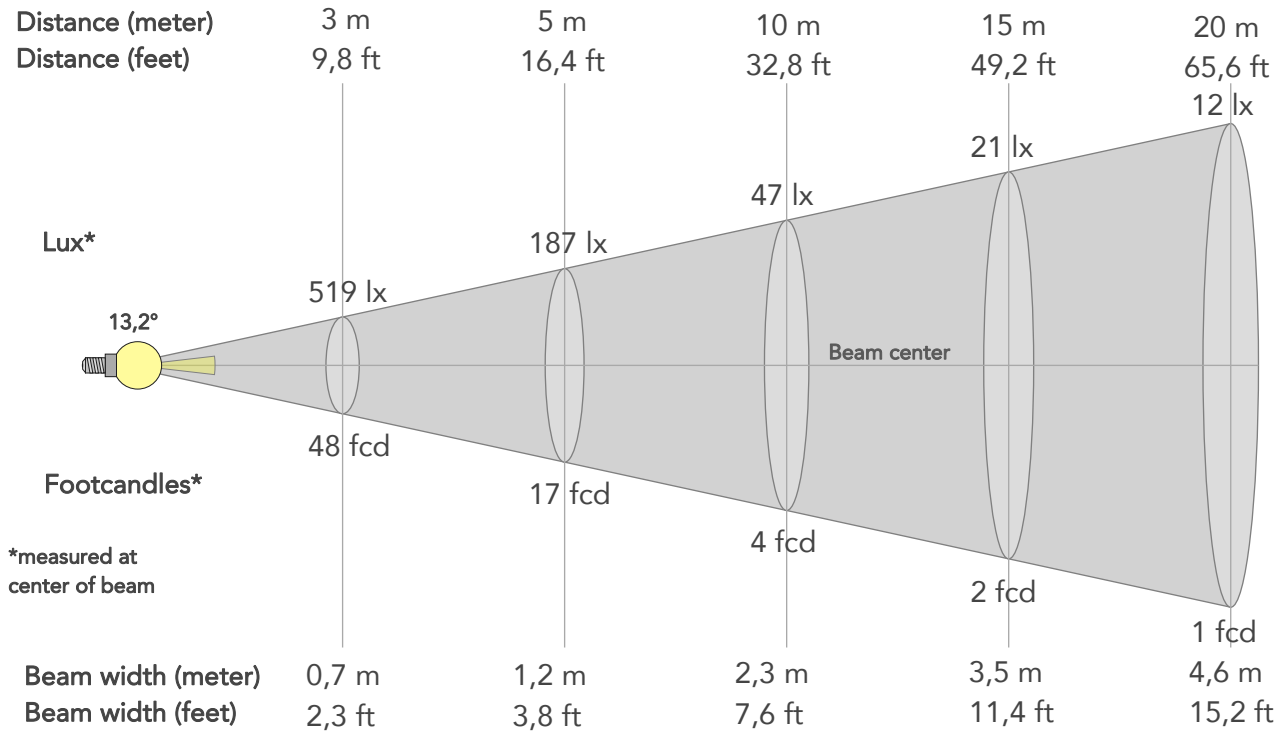
Spectra



# BEAM DETAILS



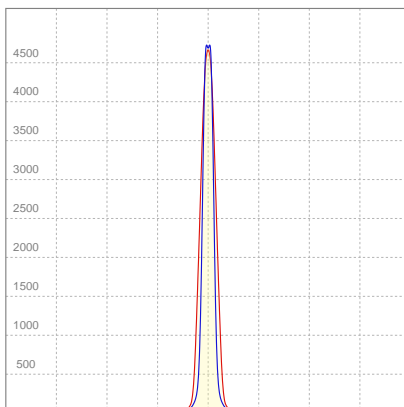
Beam angle 50%	Field angle 10%	Cut off angle 2,5%	Intensity ratio in 120° cone	Intensity ratio in 90° cone
13,2°	21,2°	28,5°	99,9%	99,6%



## BEAM INTENSITIES AND WIDTHS

Distance	1m	2m	3m	4m	5m	7,5m	10m	15m	20m	25m	30m	40m	50m
Distance	3,3ft	6,6ft	9,8ft	13,1ft	16,4ft	24,6ft	32,8ft	49,2ft	65,6ft	82ft	98,4ft	131,2ft	164ft
Lux	4673lx	1168lx	519lx	292lx	187lx	83lx	47lx	21lx	12lx	7lx	5lx	3lx	2lx
Footcand.	434fcd	109fcd	48fcd	27fcd	17fcd	8fcd	4fcd	2fcd	1fcd	1fcd	0fcd	0fcd	0fcd
Beam wid.	0,2m	0,5m	0,7m	0,9m	1,2m	1,7m	2,3m	3,5m	4,6m	5,8m	6,9m	9,2m	11,5m
Beam wid.	0,8ft	1,5ft	2,3ft	3ft	3,8ft	5,7ft	7,6ft	11,4ft	15,2ft	18,9ft	22,7ft	30,3ft	37,9ft

## LINEAR DISTRIBUTION DIAGRAM

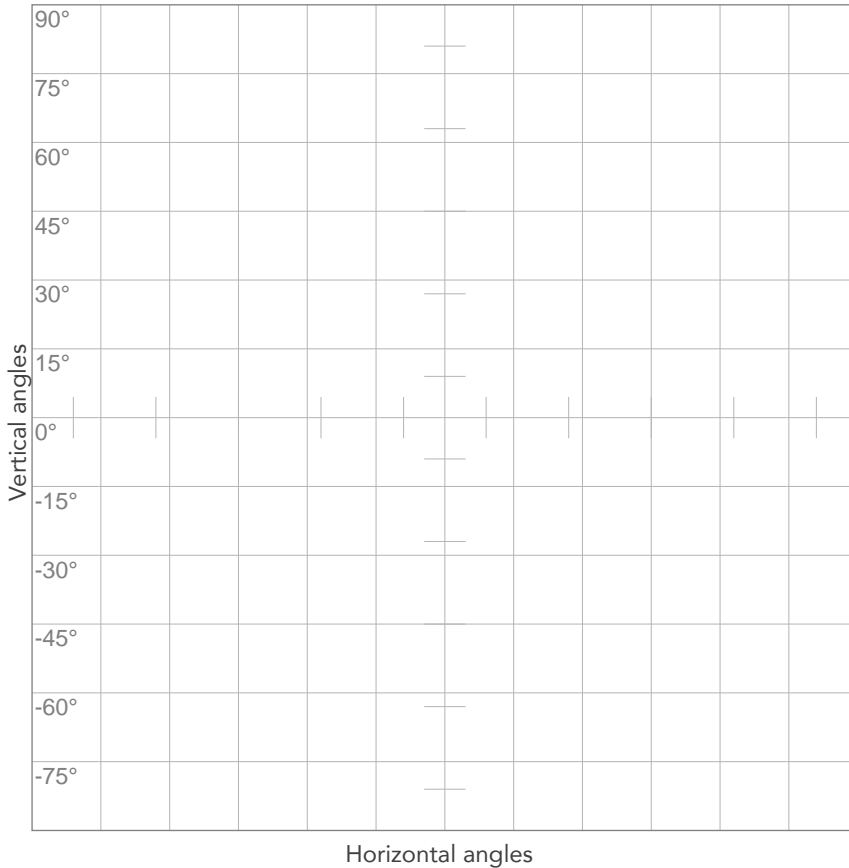


## ELECTRICAL SPECIFICATIONS

Input voltage	Input current	Input power	Effeciency
224V	0,169A	28,8W	10lm/W
Power FC			
0,76			



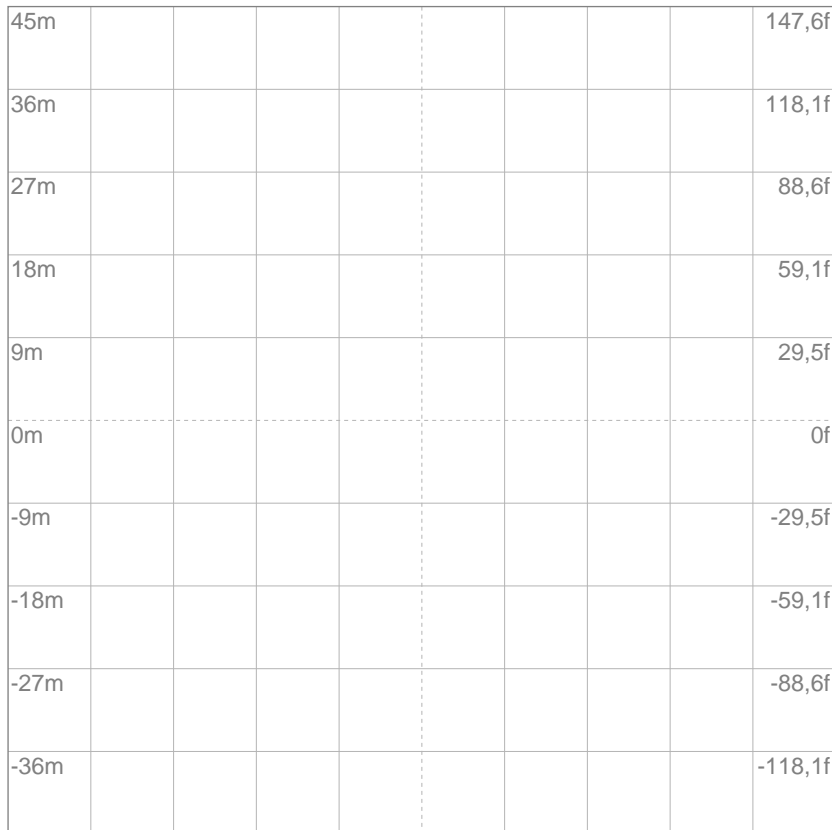
## ISO CANDELA DIAGRAM



10%	467 cd
20%	935 cd
30%	1402 cd
40%	1869 cd
50%	2336 cd
60%	2804 cd
70%	3271 cd
80%	3738 cd

Conditions:  
 Number of c-planes: 4  
 Candela at center: 4673 cd

## ISO LUX DIAGRAM



3%	1,40 lx
5%	2,34 lx
10%	4,67 lx
30%	14,0 lx
50%	23,4 lx

Conditions:  
 Number of c-planes: 4  
 Lux at center: 46,7 lx

*Lux distribution on a surface when lamp is mounted at 10 meters from the surface.*

Mounting height: 10 meters (33 feet)

Total lumen output:

263 lm

Peak candela output:

1531 cd



**PRODUCT NAME:**

LUMIPIX12QTOUR

**MEASURAMENT CONDITIONS:**

Beam angle:

25°

Target:

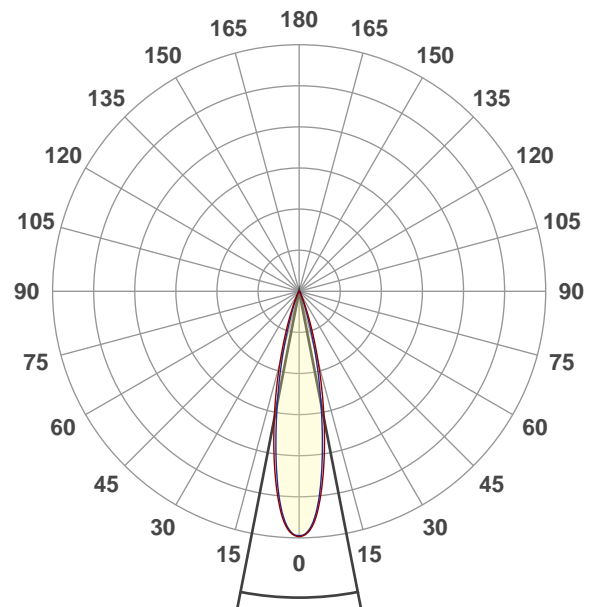
Blue

Operator:

Paolo Carvone

Date and time:

22/04/2021 15:50:58

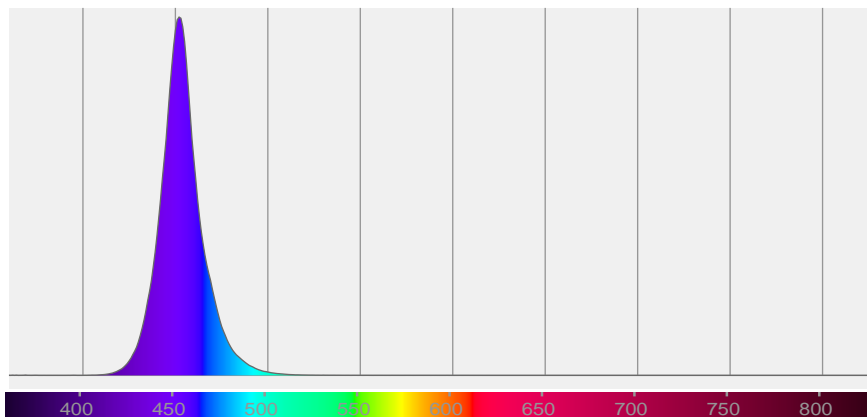


Beam angle 50%: 22,1°

Field angle 10%: 39,2°

Cut off angle 2.5%: 51,1°

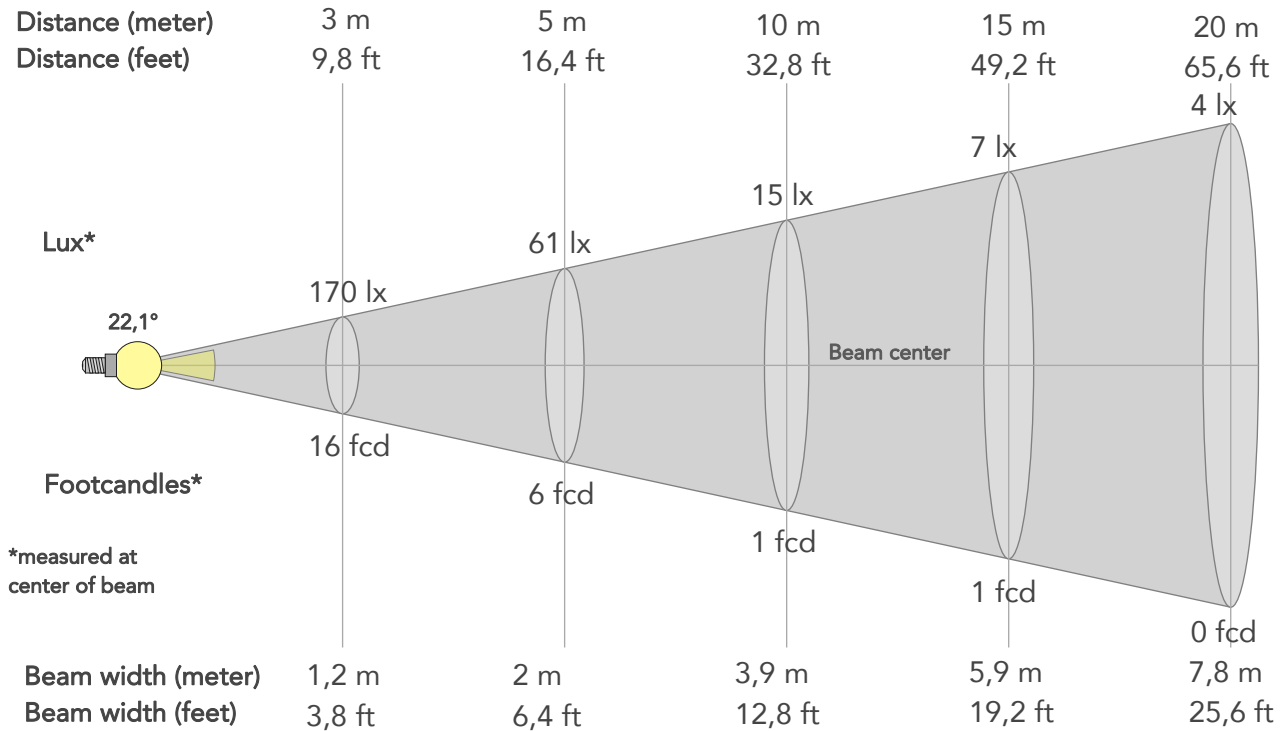
**Spectra**



# BEAM DETAILS



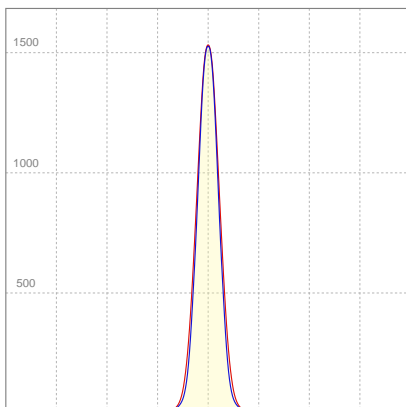
Beam angle 50%	Field angle 10%	Cut off angle 2,5%	Intensity ratio in 120° cone	Intensity ratio in 90° cone
22,1°	39,2°	51,1°	99,7%	98,6%



## BEAM INTENSITIES AND WIDTHS

Distance	1m	2m	3m	4m	5m	7,5m	10m	15m	20m	25m	30m	40m	50m
Distance	3,3ft	6,6ft	9,8ft	13,1ft	16,4ft	24,6ft	32,8ft	49,2ft	65,6ft	82ft	98,4ft	131,2ft	164ft
Lux	1528lx	382lx	170lx	96lx	61lx	27lx	15lx	7lx	4lx	2lx	2lx	1lx	1lx
Footcand.	142fcd	35fcd	16fcd	9fcd	6fcd	3fcd	1fcd	1fcd	0fcd	0fcd	0fcd	0fcd	0fcd
Beam wid.	0,4m	0,8m	1,2m	1,6m	2m	2,9m	3,9m	5,9m	7,8m	9,8m	11,7m	15,6m	19,5m
Beam wid.	1,3ft	2,6ft	3,8ft	5,1ft	6,4ft	9,6ft	12,8ft	19,2ft	25,6ft	32ft	38,4ft	51,2ft	64ft

## LINEAR DISTRIBUTION DIAGRAM

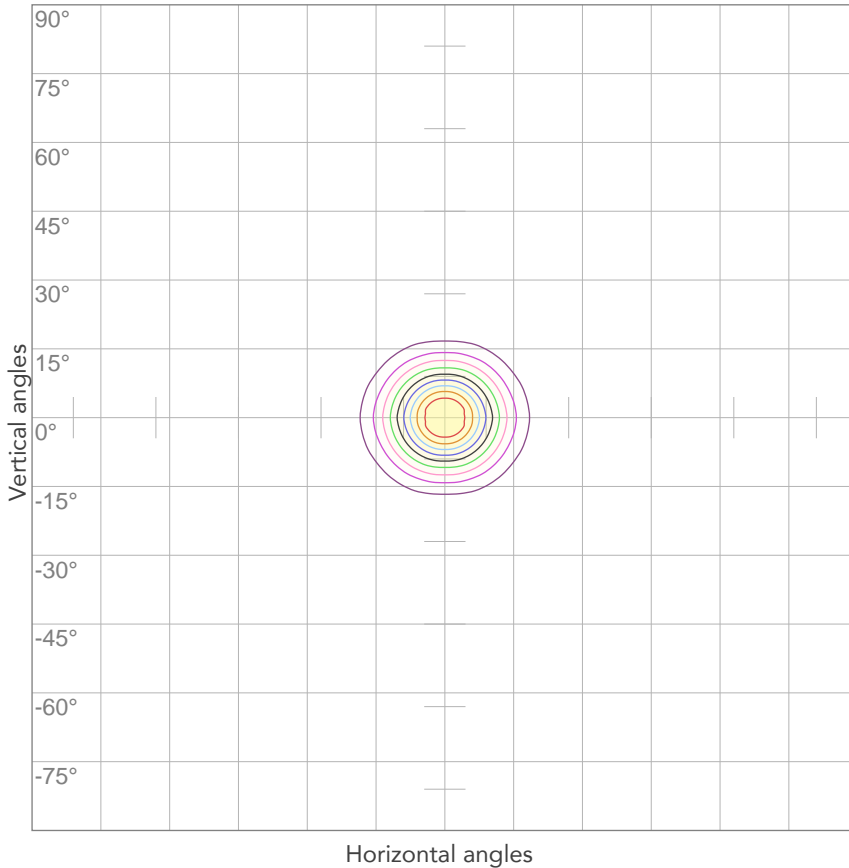


## ELECTRICAL SPECIFICATIONS

Input voltage	Input current	Input power	Effeciency
224V	0,169A	28,9W	9lm/W

Power FC
0,76

## ISO CANDELA DIAGRAM



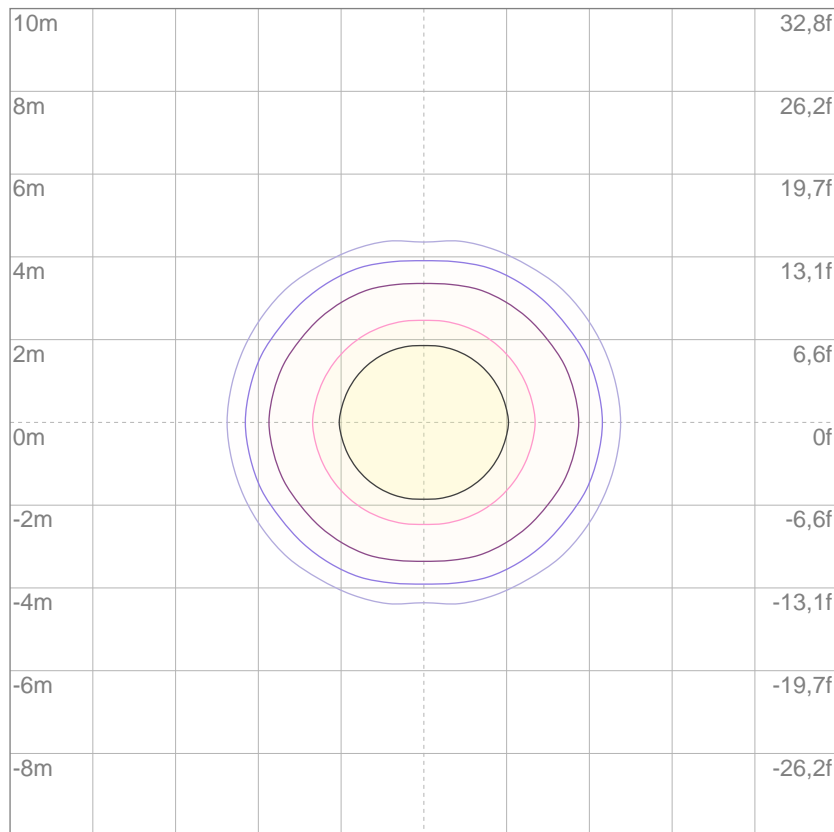
10%	153 cd
20%	306 cd
30%	459 cd
40%	611 cd
50%	764 cd
60%	917 cd
70%	1070 cd
80%	1223 cd

Conditions:

Number of c-planes: 4

Candela at center: 1528 cd

## ISO LUX DIAGRAM



3%	0,459 lx
5%	0,764 lx
10%	1,53 lx
30%	4,59 lx
50%	7,64 lx

Conditions:

Number of c-planes: 4

Lux at center: 15,3 lx

*Lux distribution on a surface when lamp is mounted at 10 meters from the surface.*

Mounting height: 10 meters (33 feet)

Total lumen output:

260 lm

Peak candela output:

584 cd



**PRODUCT NAME:**

LUMIPIX12QTOUR

**MEASURAMENT CONDITIONS:**

Beam angle:

45°

Target:

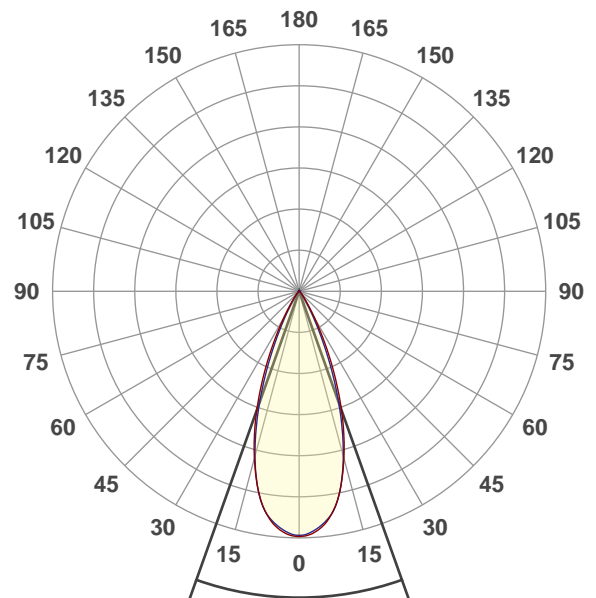
Blue

Operator:

Paolo Carvone

Date and time:

22/04/2021 14:48:16

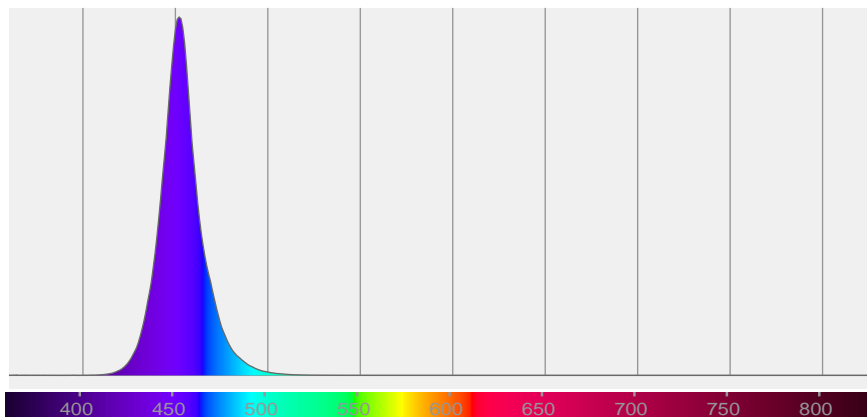


Beam angle 50%: 39,2°

Field angle 10%: 61,2°

Cut off angle 2.5%: 76,5°

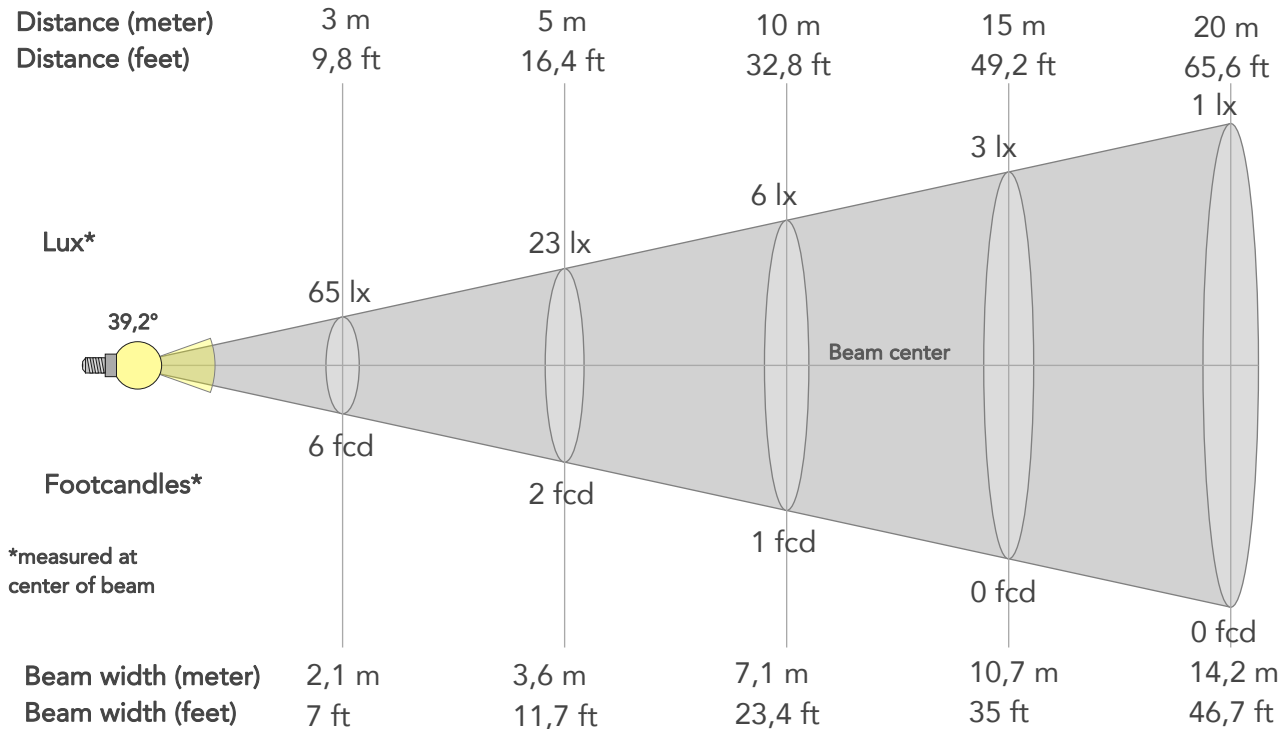
Spectra



# BEAM DETAILS



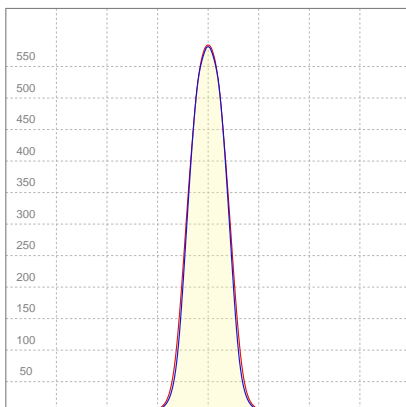
Beam angle 50%	Field angle 10%	Cut off angle 2,5%	Intensity ratio in 120° cone	Intensity ratio in 90° cone
39,2°	61,2°	76,5°	99,4%	98,0%



## BEAM INTENSITIES AND WIDTHS

Distance	1m	2m	3m	4m	5m	7,5m	10m	15m	20m	25m	30m	40m	50m
Distance	3,3ft	6,6ft	9,8ft	13,1ft	16,4ft	24,6ft	32,8ft	49,2ft	65,6ft	82ft	98,4ft	131,2ft	164ft
Lux	582lx	146lx	65lx	36lx	23lx	10lx	6lx	3lx	1lx	1lx	1lx	0lx	0lx
Footcand.	54fcd	14fcd	6fcd	3fcd	2fcd	1fcd	1fcd	0fcd	0fcd	0fcd	0fcd	0fcd	0fcd
Beam wid.	0,7m	1,4m	2,1m	2,8m	3,6m	5,3m	7,1m	10,7m	14,2m	17,8m	21,4m	28,5m	35,6m
Beam wid.	2,4ft	4,7ft	7ft	9,3ft	11,7ft	17,5ft	23,4ft	35ft	46,7ft	58,4ft	70,1ft	93,5ft	116,8ft

## LINEAR DISTRIBUTION DIAGRAM

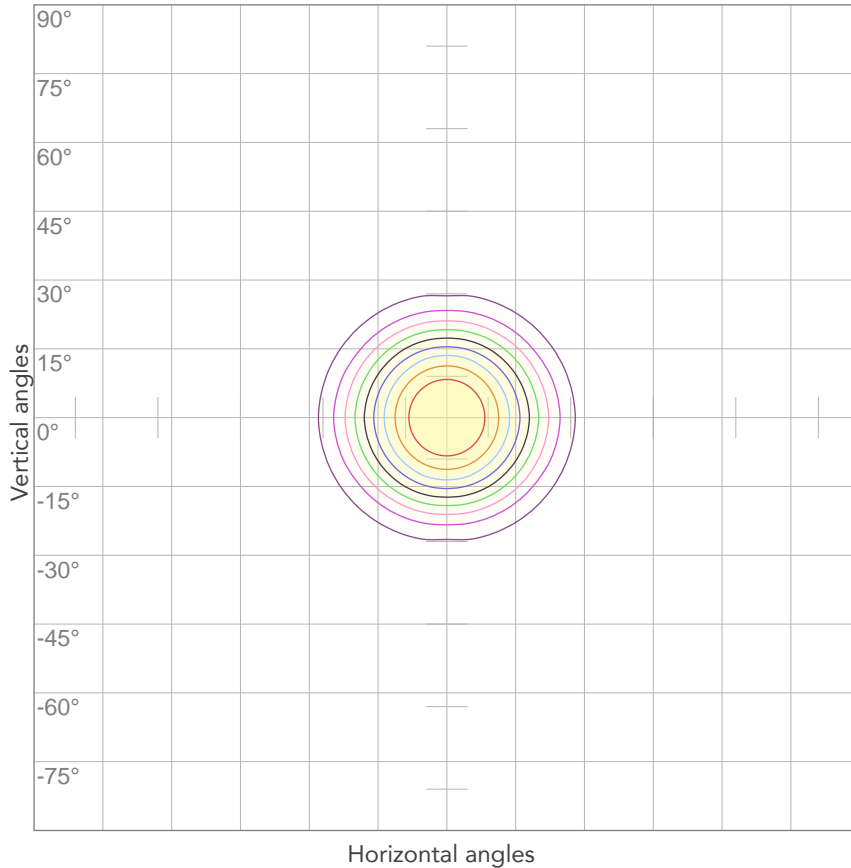


## ELECTRICAL SPECIFICATIONS

Input voltage	Input current	Input power	Effeciency
224V	0,169A	28,9W	9lm/W

Power FC
0,76

## ISO CANDELA DIAGRAM



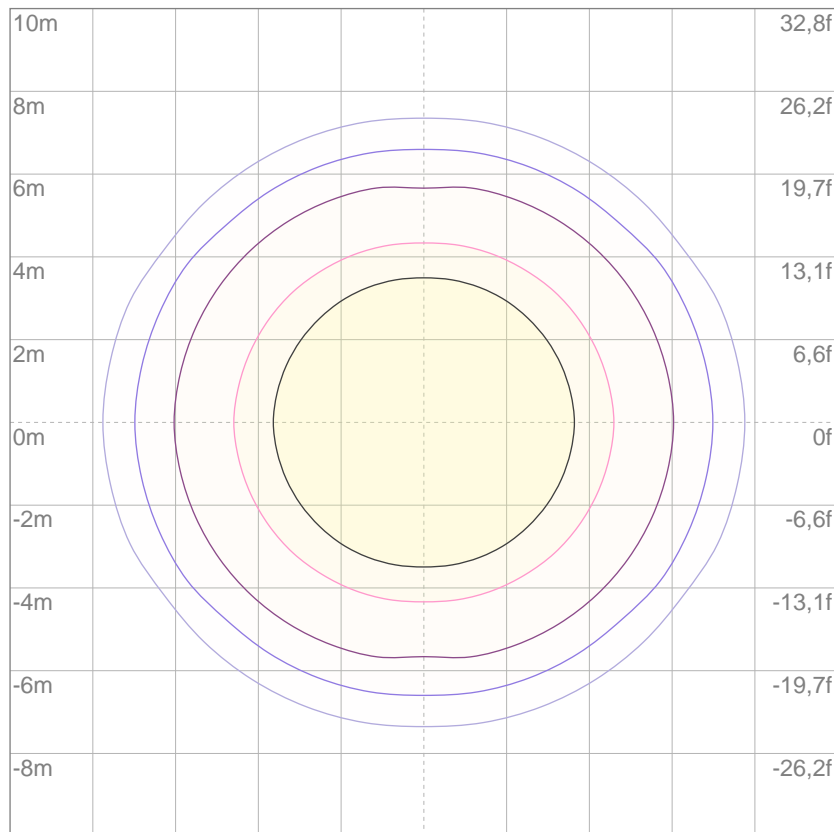
10%	58 cd
20%	116 cd
30%	175 cd
40%	233 cd
50%	291 cd
60%	349 cd
70%	408 cd
80%	466 cd

**Conditions:**

Number of c-planes: 4

Candela at center: 582 cd

## ISO LUX DIAGRAM



3%	0,175 lx
5%	0,291 lx
10%	0,582 lx
30%	1,75 lx
50%	2,91 lx

**Conditions:**

Number of c-planes: 4

Lux at center: 5,82 lx

*Lux distribution on a surface when lamp is mounted at 10 meters from the surface.*

Mounting height: 10 meters (33 feet)

Total lumen output:

1483 lm

Peak candela output:

26910 cd



## PRODUCT NAME:

LUMIPIX12QTOUR

## MEASUREMENT CONDITIONS:

Beam angle:

15°

Target:

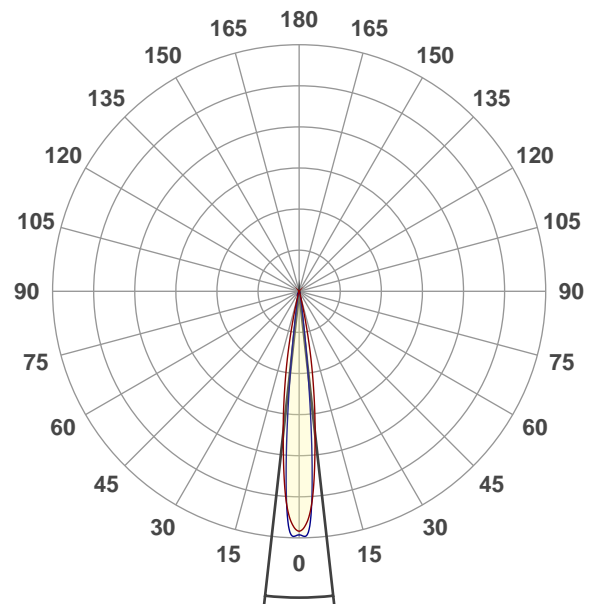
White

Operator:

Paolo Carvone

Date and time:

22/04/2021 15:25:29

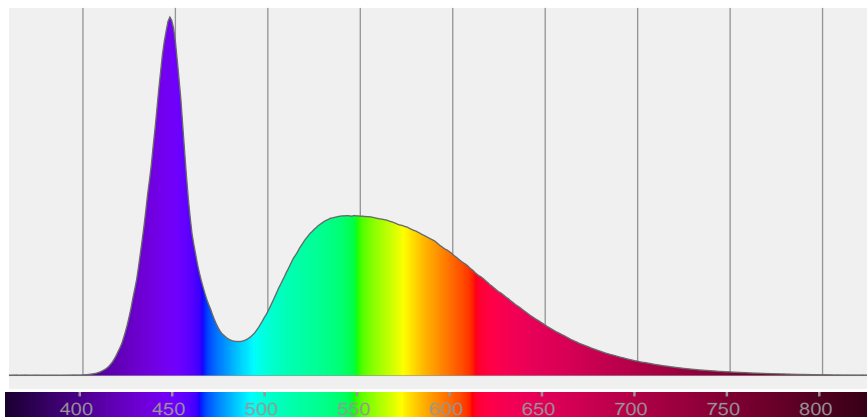


Beam angle 50%: 12,8°

Field angle 10%: 21°

Cut off angle 2.5%: 28,2°

## Spectra

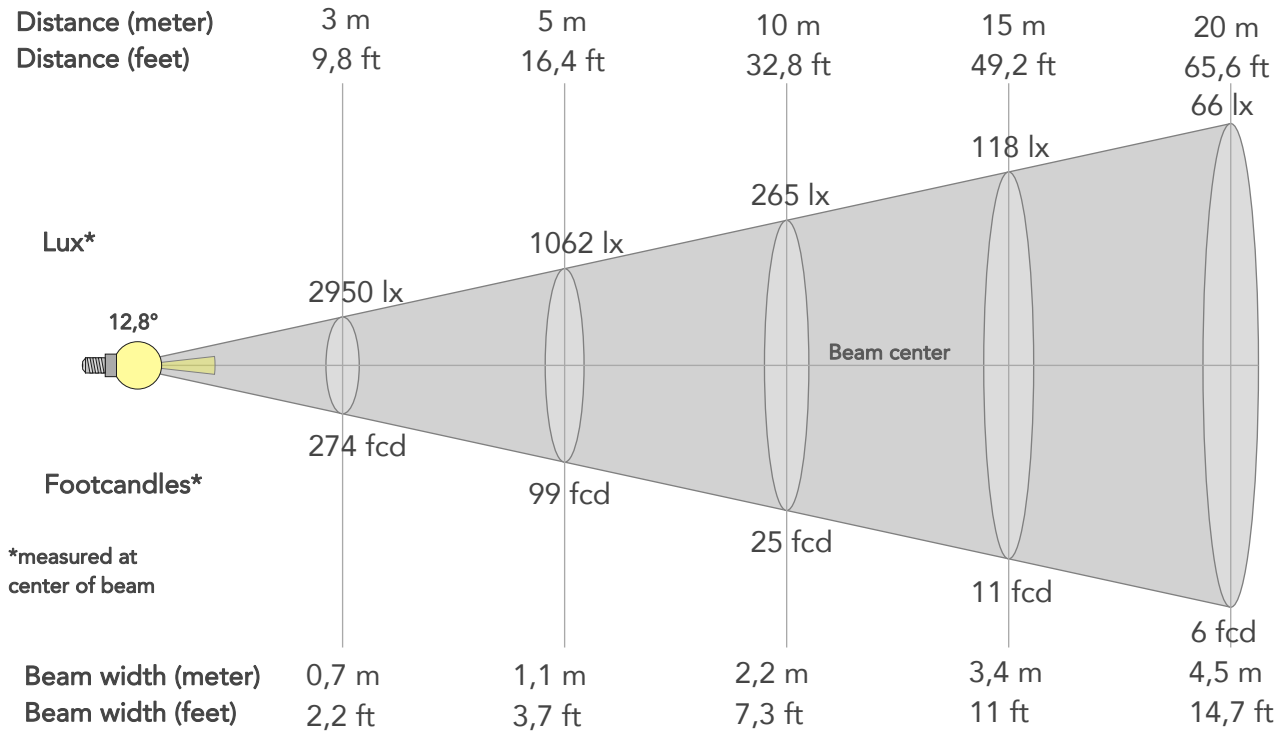




# BEAM DETAILS



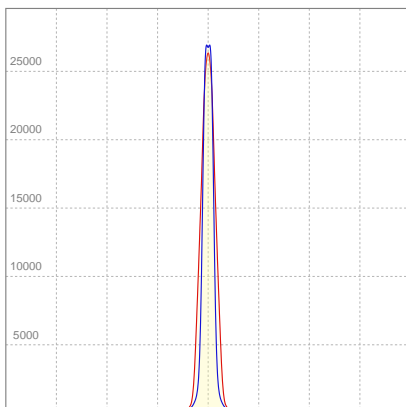
Beam angle 50%	Field angle 10%	Cut off angle 2,5%	Intensity ratio in 120° cone	Intensity ratio in 90° cone
12,8°	21°	28,2°	100,0%	99,9%



## BEAM INTENSITIES AND WIDTHS

Distance	1m	2m	3m	4m	5m	7,5m	10m	15m	20m	25m	30m	40m	50m
Distance	3,3ft	6,6ft	9,8ft	13,1ft	16,4ft	24,6ft	32,8ft	49,2ft	65,6ft	82ft	98,4ft	131,2ft	164ft
Lux	26547lx	6637lx	2950lx	1659lx	1062lx	472lx	265lx	118lx	66lx	42lx	29lx	17lx	11lx
Footcand.	2466fcd	617fcd	274fcd	154fcd	99fcd	44fcd	25fcd	11fcd	6fcd	4fcd	3fcd	2fcd	1fcd
Beam wid.	0,2m	0,4m	0,7m	0,9m	1,1m	1,7m	2,2m	3,4m	4,5m	5,6m	6,7m	9m	11,2m
Beam wid.	0,7ft	1,5ft	2,2ft	2,9ft	3,7ft	5,5ft	7,3ft	11ft	14,7ft	18,3ft	22ft	29,4ft	36,7ft

## LINEAR DISTRIBUTION DIAGRAM

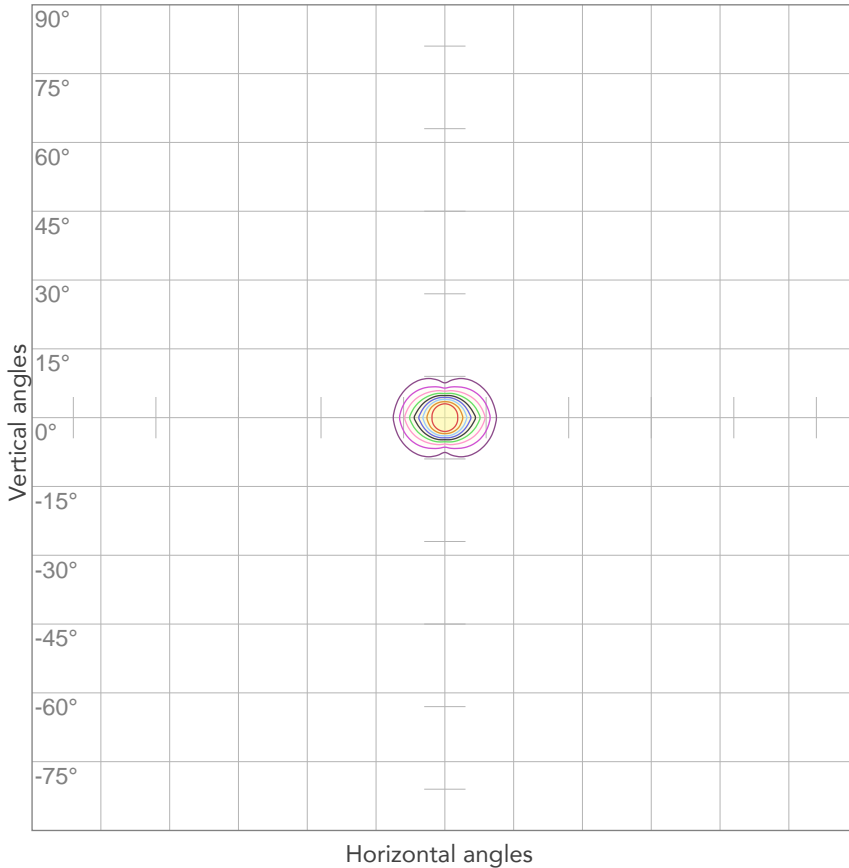


## ELECTRICAL SPECIFICATIONS

Input voltage	Input current	Input power	Effeciency
224V	0,172A	29,7W	50lm/W

Power FC
0,77

## ISO CANDELA DIAGRAM



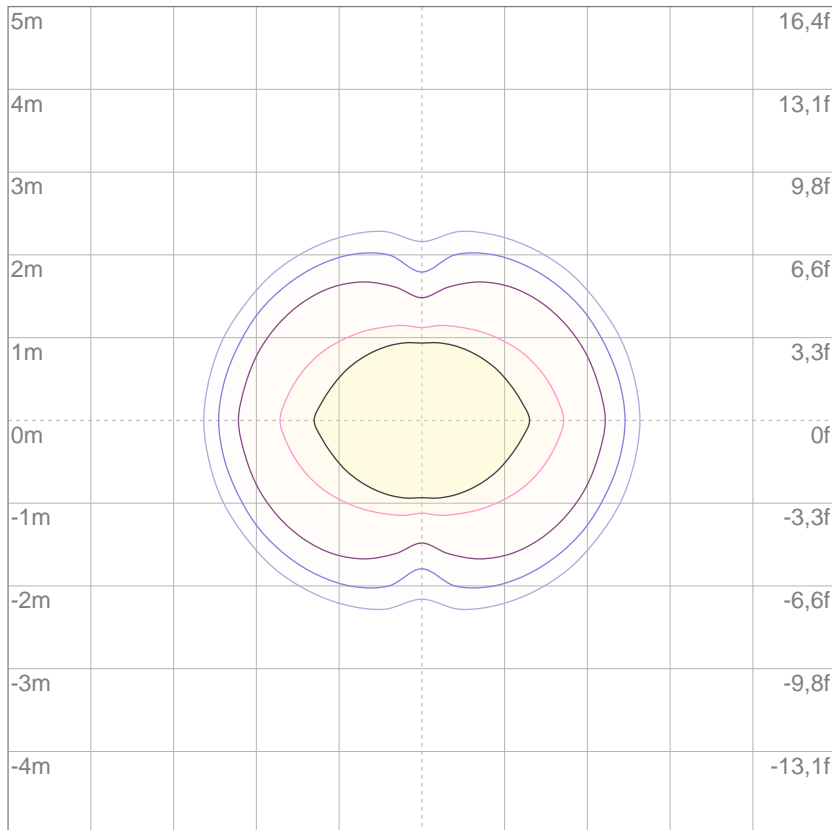
10%	2655 cd
20%	5309 cd
30%	7964 cd
40%	10619 cd
50%	13274 cd
60%	15928 cd
70%	18583 cd
80%	21238 cd

Conditions:

Number of c-planes: 4

Candela at center: 26547 cd

## ISO LUX DIAGRAM



3%	7,96 lx
5%	13,3 lx
10%	26,5 lx
30%	79,6 lx
50%	133 lx

Conditions:

Number of c-planes: 4

Lux at center: 265 lx

*Lux distribution on a surface when lamp is mounted at 10 meters from the surface.*

Mounting height: 10 meters (33 feet)

Total lumen output:

1435 lm

Peak candela output:

8194 cd



**PRODUCT NAME:**

LUMIPIX12QTOUR

**MEASUREMENT CONDITIONS:**

Beam angle:

25°

Target:

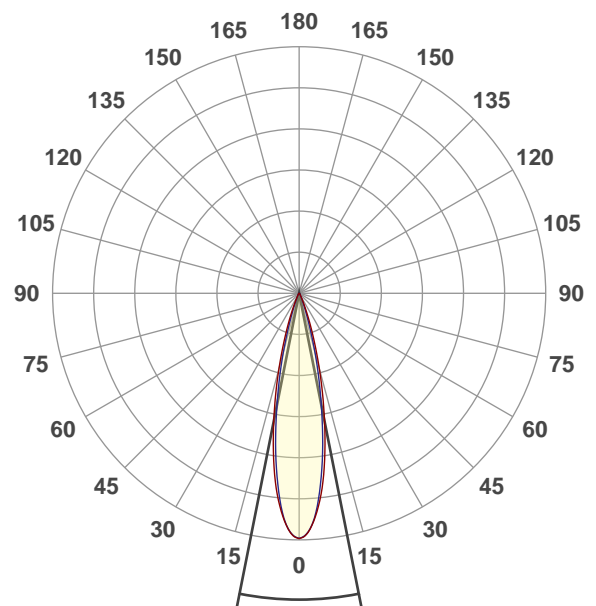
White

Operator:

Paolo Carvone

Date and time:

22/04/2021 15:55:10

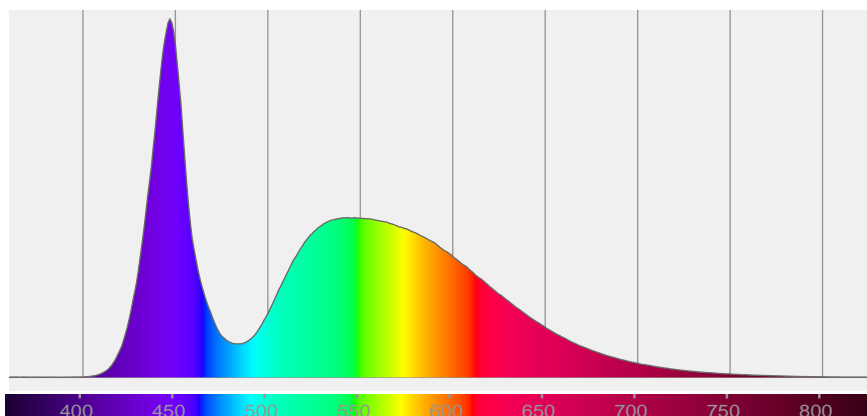


Beam angle 50%: 22,5°

Field angle 10%: 39,6°

Cut off angle 2.5%: 51,3°

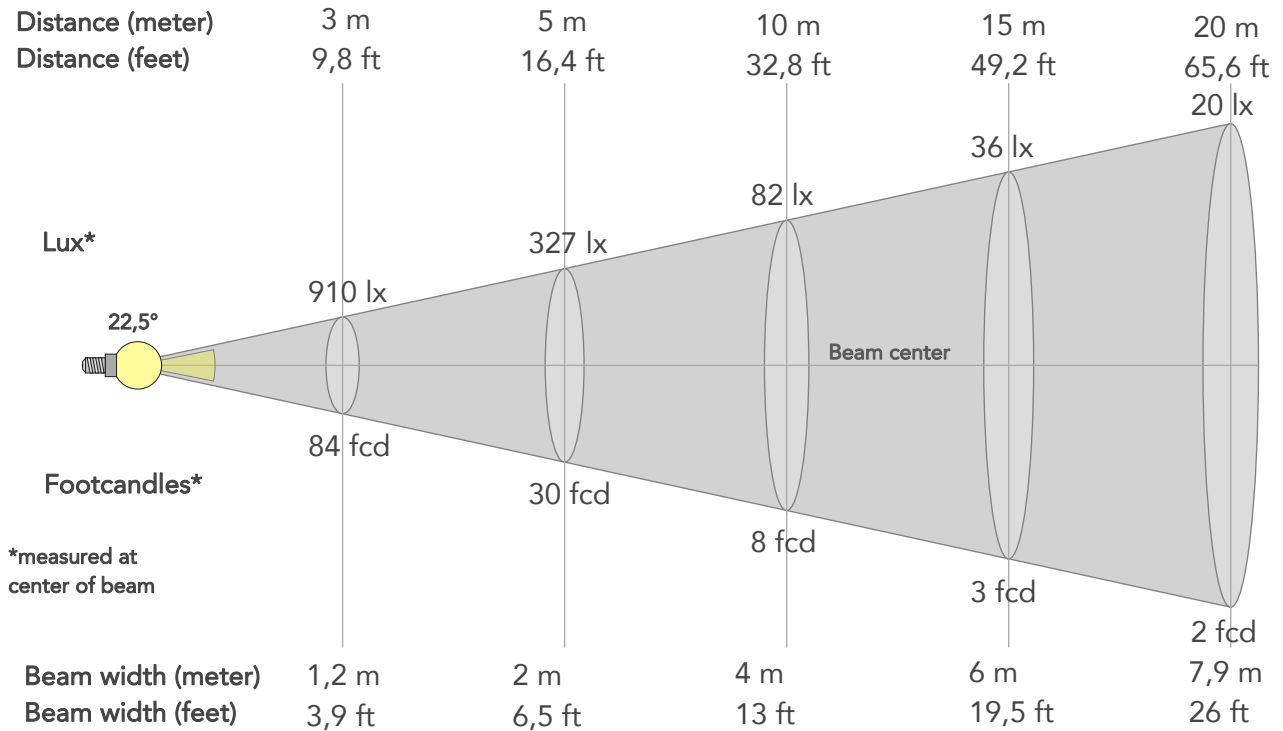
**Spectra**



# BEAM DETAILS



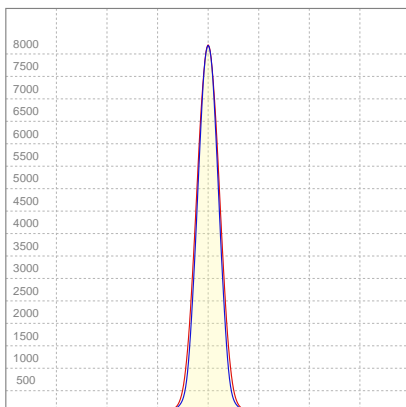
Beam angle 50%	Field angle 10%	Cut off angle 2,5%	Intensity ratio in 120° cone	Intensity ratio in 90° cone
22,5°	39,6°	51,3°	99,9%	98,8%



## BEAM INTENSITIES AND WIDTHS

Distance	1m	2m	3m	4m	5m	7,5m	10m	15m	20m	25m	30m	40m	50m
Distance	3,3ft	6,6ft	9,8ft	13,1ft	16,4ft	24,6ft	32,8ft	49,2ft	65,6ft	82ft	98,4ft	131,2ft	164ft
Lux	8186lx	2046lx	910lx	512lx	327lx	146lx	82lx	36lx	20lx	13lx	9lx	5lx	3lx
Footcand.	760fcd	190fcd	84fcd	48fcd	30fcd	14fcd	8fcd	3fcd	2fcd	1fcd	1fcd	0fcd	0fcd
Beam wid.	0,4m	0,8m	1,2m	1,6m	2m	3m	4m	6m	7,9m	9,9m	11,9m	15,9m	19,8m
Beam wid.	1,3ft	2,6ft	3,9ft	5,2ft	6,5ft	9,8ft	13ft	19,5ft	26ft	32,6ft	39,1ft	52,1ft	65,1ft

## LINEAR DISTRIBUTION DIAGRAM

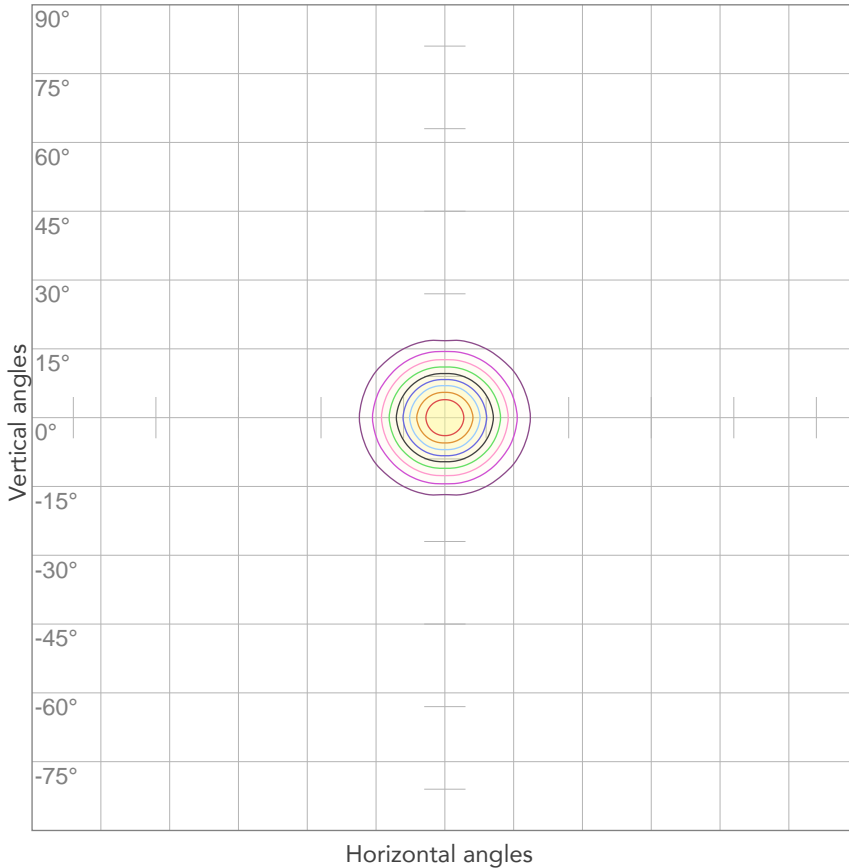


## ELECTRICAL SPECIFICATIONS

Input voltage	Input current	Input power	Effeciency
224V	0,172A	29,8W	48lm/W

Power FC
0,77

## ISO CANDELA DIAGRAM



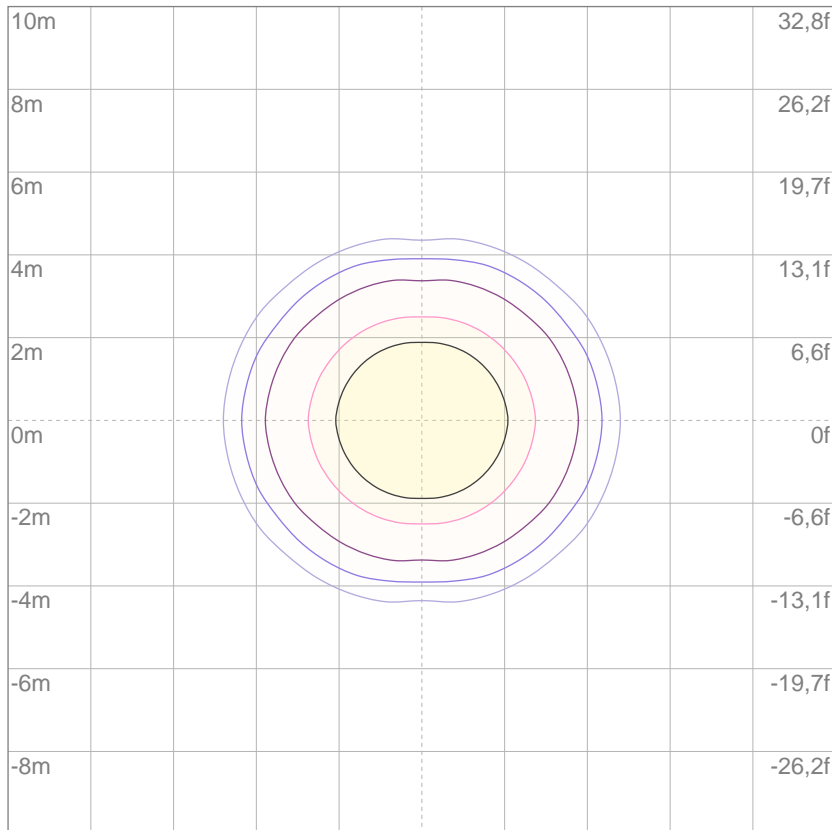
10%	819 cd
20%	1637 cd
30%	2456 cd
40%	3274 cd
50%	4093 cd
60%	4911 cd
70%	5730 cd
80%	6549 cd

Conditions:

Number of c-planes: 4

Candela at center: 8186 cd

## ISO LUX DIAGRAM



3%	2,46 lx
5%	4,09 lx
10%	8,19 lx
30%	24,6 lx
50%	40,9 lx

Conditions:

Number of c-planes: 4

Lux at center: 81,9 lx

*Lux distribution on a surface when lamp is mounted at 10 meters from the surface.*

Mounting height: 10 meters (33 feet)

Total lumen output:

1411 lm

Peak candela output:

3118 cd



**PRODUCT NAME:**

LUMIPIX12QTOUR

**MEASUREMENT CONDITIONS:**

Beam angle:

45°

Target:

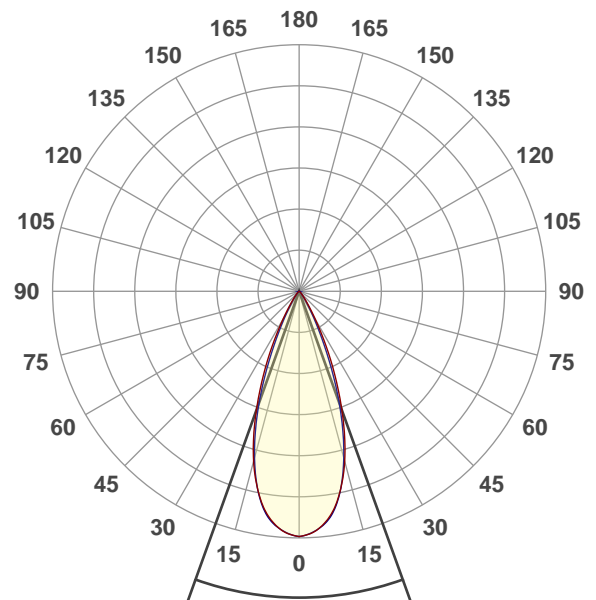
White

Operator:

Paolo Carvone

Date and time:

22/04/2021 14:51:41

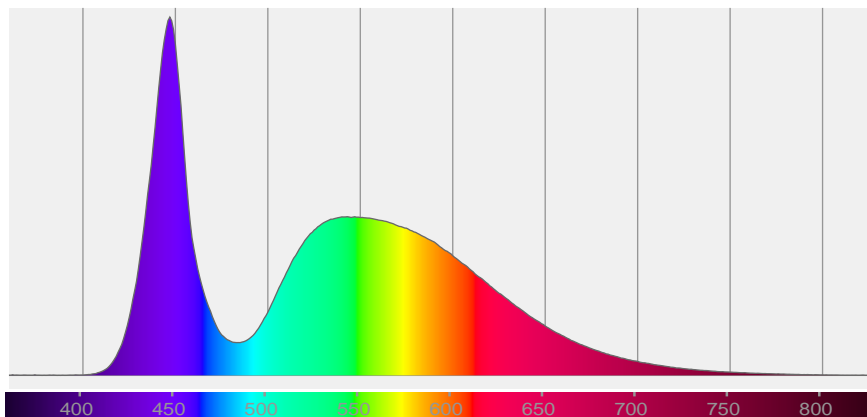


Beam angle 50%: 39,5°

Field angle 10%: 61,6°

Cut off angle 2.5%: 77,2°

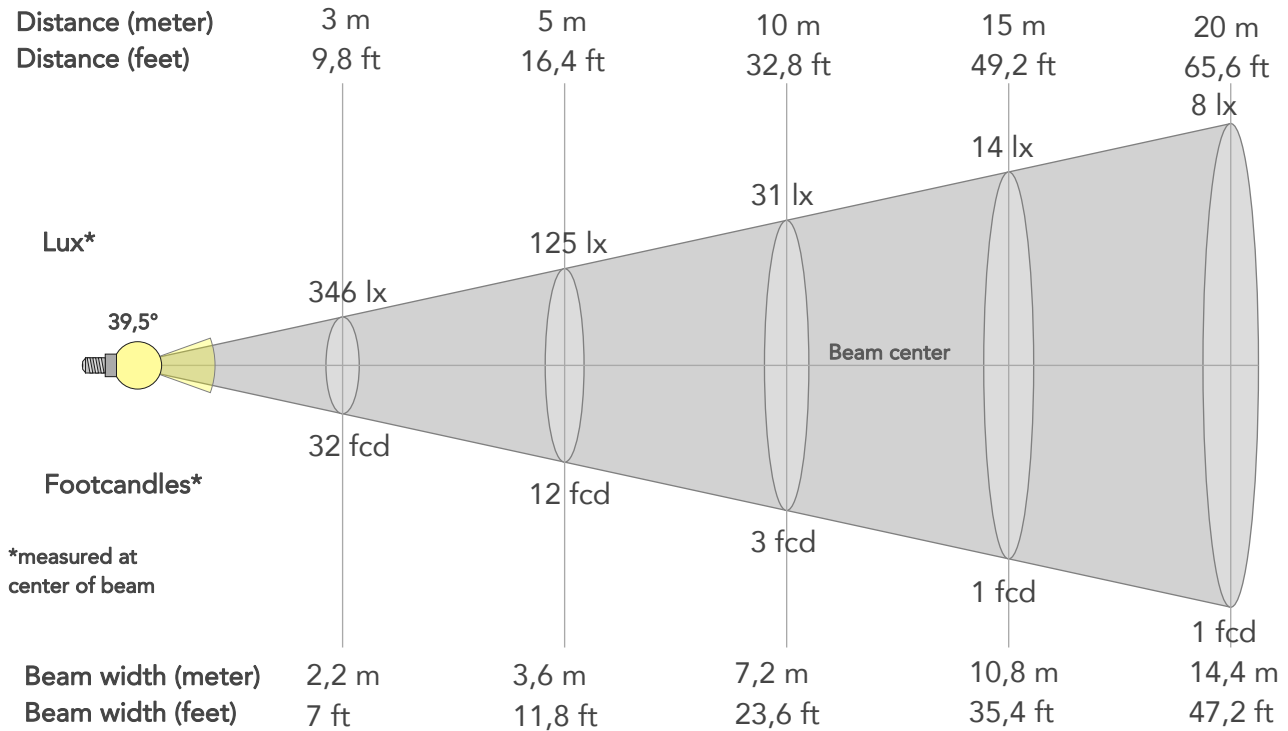
Spectra



# BEAM DETAILS



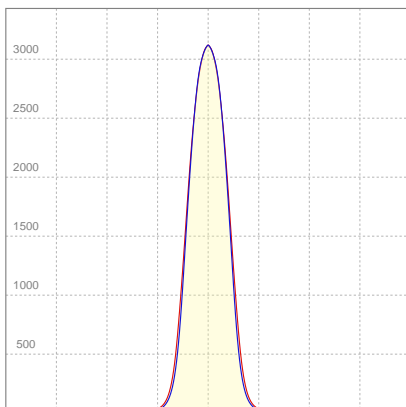
Beam angle 50%	Field angle 10%	Cut off angle 2,5%	Intensity ratio in 120° cone	Intensity ratio in 90° cone
39,5°	61,6°	77,2°	99,5%	98,1%



## BEAM INTENSITIES AND WIDTHS

Distance	1m	2m	3m	4m	5m	7,5m	10m	15m	20m	25m	30m	40m	50m
Distance	3,3ft	6,6ft	9,8ft	13,1ft	16,4ft	24,6ft	32,8ft	49,2ft	65,6ft	82ft	98,4ft	131,2ft	164ft
Lux	3117lx	779lx	346lx	195lx	125lx	55lx	31lx	14lx	8lx	5lx	3lx	2lx	1lx
Footcand.	290fcd	72fcd	32fcd	18fcd	12fcd	5fcd	3fcd	1fcd	1fcd	0fcd	0fcd	0fcd	0fcd
Beam wid.	0,7m	1,4m	2,2m	2,9m	3,6m	5,4m	7,2m	10,8m	14,4m	18m	21,6m	28,8m	35,9m
Beam wid.	2,4ft	4,7ft	7ft	9,4ft	11,8ft	17,7ft	23,6ft	35,4ft	47,2ft	59ft	70,7ft	94,3ft	117,9ft

## LINEAR DISTRIBUTION DIAGRAM

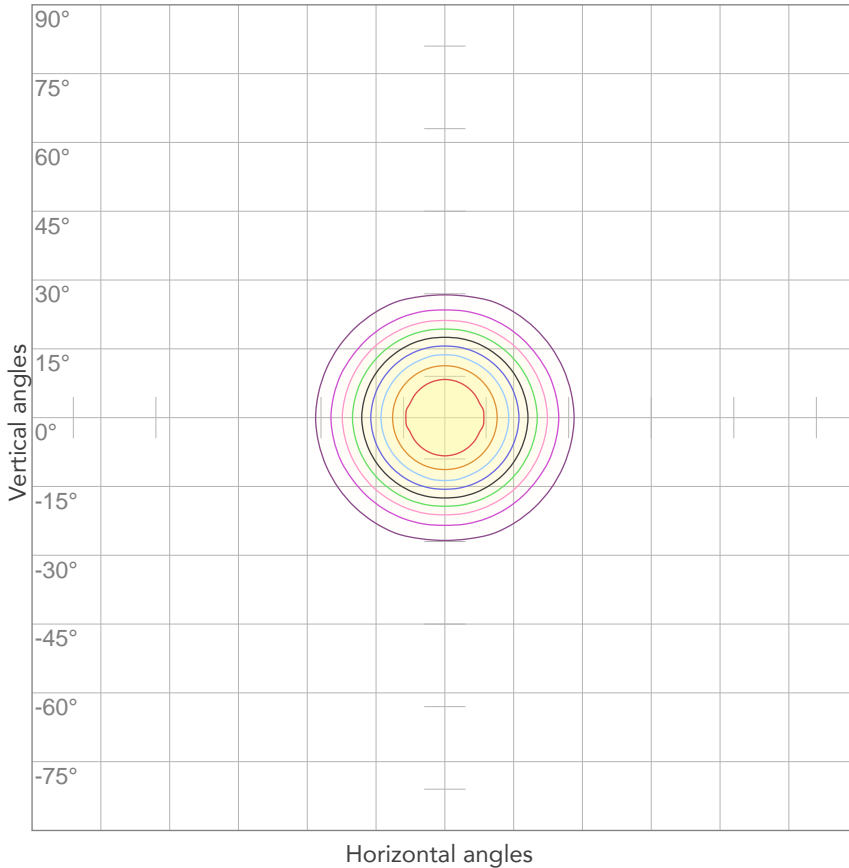


## ELECTRICAL SPECIFICATIONS

Input voltage	Input current	Input power	Effeciency
224V	0,173A	29,8W	47lm/W

Power FC
0,77

## ISO CANDELA DIAGRAM



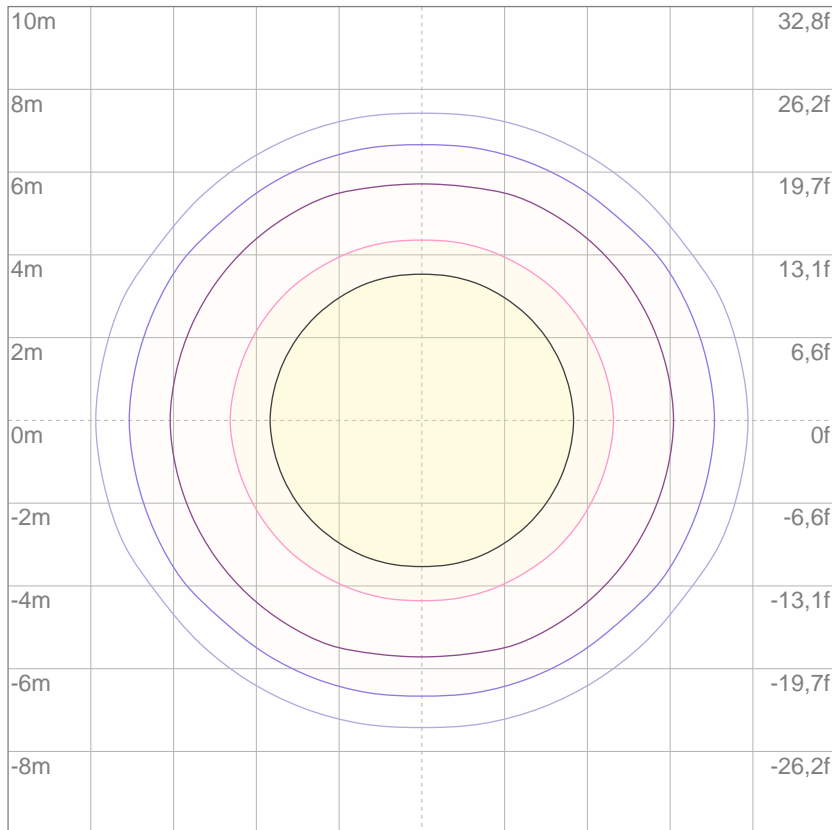
10%	312 cd
20%	623 cd
30%	935 cd
40%	1247 cd
50%	1559 cd
60%	1870 cd
70%	2182 cd
80%	2494 cd

Conditions:

Number of c-planes: 4

Candela at center: 3117 cd

## ISO LUX DIAGRAM



3%	0,935 lx
5%	1,56 lx
10%	3,12 lx
30%	9,35 lx
50%	15,6 lx

Conditions:

Number of c-planes: 4

Lux at center: 31,2 lx

*Lux distribution on a surface when lamp is mounted at 10 meters from the surface.*

Mounting height: 10 meters (33 feet)