

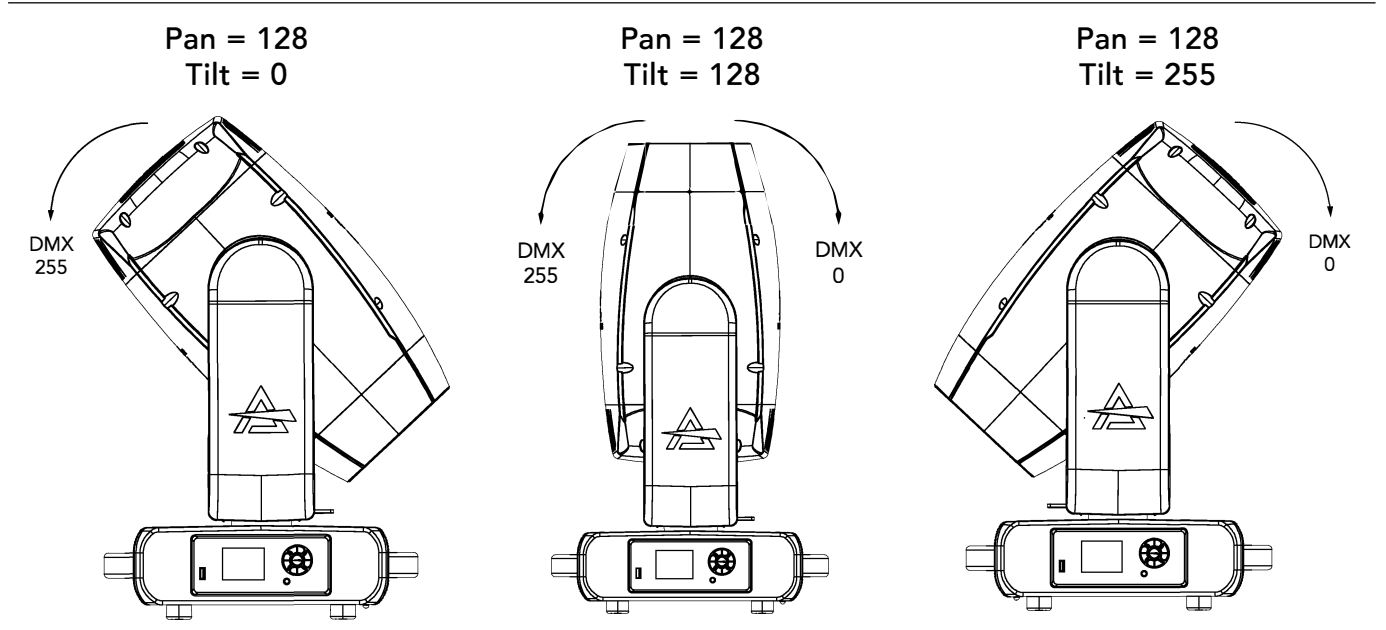
DMX CHARTS

RDM Personality ID List		
ID	Mode	DMX Footprint
1	STANDARD	29

RDM Model ID

0xA024

PAN/TILT VALUES



Tilt movement range: 270°
Pan movement range: 540

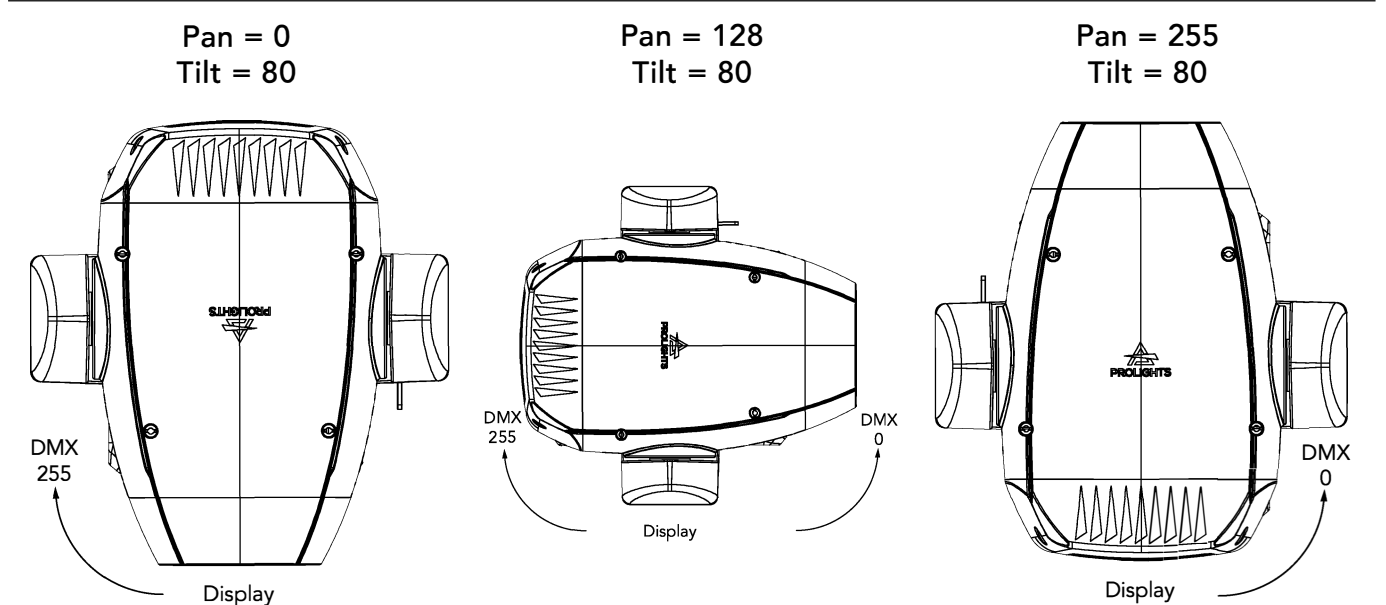


Fig. 09

DMX Chart Summary

Channel	STANDARD
1	Pan
2	Pan fine
3	Tilt
4	Tilt fine
5	Dimmer
6	Dimmer Fine
7	Shutter
8	Cyan
9	Magenta
10	Yellow
11	Color Wheel 1
12	Color Wheel 2
13	Color Wheel 3
14	Rot Gobo
15	Gobo Rot
16	Gobo Rot Fine
17	Fixed Gobo
18	Prism 1
19	Prism 1 Rotation
20	Prism 2
21	Prism 2 Rotation
22	Frost
23	Zoom
24	Zoom Fine
25	Focus
26	Focus Fine
27	Animation Insertion
28	Animation Rotation
29	Control

Channel STANDARD	Name	Function	Min DMX	Max DMX	Default
1	Pan	Lineary from 0% to 100%	0	255	128
2	Pan fine	Lineary from 0% to 100%	0	255	128
3	Tilt	Lineary from 0% to 100%	0	255	128
4	Tilt fine	Lineary from 0% to 100%	0	255	128
5	Dimmer	Lineary from close to open	0	255	000
6	Dimmer Fine	Lineary from close to open	0	255	000
7	Shutter	Close	0	1	255
		Strobe from slow to fast	2	62	
		Open	63	64	
		Pulse in from slow to fast	65	125	
		Open	126	127	
		Pulse out from slow to fast	128	188	
		Open	189	190	
		Randon from slow to fast	191	251	
		Open	252	255	
8	Cyan	Lineary from 0% to 100%	0	255	000
9	Magenta	Lineary from 0% to 100%	0	255	000
10	Yellow	Lineary from 0% to 100%	0	255	000
11	Color Wheel 1	Indexed			000
		Open	0	18	
		Open + HIGH CRI >90	19	37	
		HIGH CRI >90	38	56	
		HIGH CRI >90 + CTO 3200K	57	75	
		CTO 3200K	76	94	
		CTO 3200K + CTO 2400K	95	113	
		CTO 2400K	114	132	
		CTO 2400K + CYAN	133	151	
		CYAN	152	170	
		Forward Spin			
		From fast to slow	171	211	
		Stop			
		Stop	212	214	
		Reverse Spin			
		From slow to fast	215	255	

Channel STANDARD	Name	Function	Min DMX	Max DMX	Default
12	Color Wheel 2	Indexed			000
		Open	0	18	
		Open + LAVANDER	19	37	
		LAVANDER	38	56	
		LAVANDER + DARK BLUE	57	75	
		DARK BLUE	76	94	
		DARK BLUE + DARK RED	95	113	
		DARK RED	114	132	
		DARK RED + MAGENTA	133	151	
		MAGENTA	152	170	
		Forward Spin			
		From fast to slow	171	211	
		Stop			
		Stop	212	214	
		Reverse Spin			
From slow to fast	215	255			
13	Color Wheel 3	Indexed			000
		Open	0	18	
		Open + LIGHT GREEN	19	37	
		LIGHT GREEN	38	56	
		LIGHT GREEN + PINK	57	75	
		PINK	76	94	
		PINK + LIGHT ORANGE	95	113	
		LIGHT ORANGE	114	132	
		LIGHT ORANGE + YELLOW	133	151	
		YELLOW	152	170	
		Forward Spin			
		From fast to slow	171	211	
		Stop			
		Stop	212	214	
		Reverse Spin			
From slow to fast	215	255			

Channel STANDARD	Name	Function	Min DMX	Max DMX	Default
14	Rot Gobo	Indexed			000
		Open	0	9	
		GOBO 1	10	19	
		GOBO 2	20	29	
		GOBO 3	30	39	
		GOBO 4	40	49	
		GOBO 5	50	59	
		GOBO 6	60	69	
		GOBO 7	70	79	
		GOBO 8	80	89	
		Forward Spin			
		From fast to slow	90	131	
		Stop			
		Stop	132	132	
		Reverse Spin			
		From slow to fast	133	174	
		Shake			
		GOBO 1 from slow to fast	175	184	
		GOBO 2 from slow to fast	185	194	
		GOBO 3 from slow to fast	195	204	
		GOBO 4 from slow to fast	205	214	
GOBO 5 from slow to fast	215	224			
GOBO 6 from slow to fast	225	234			
GOBO 7 from slow to fast	235	244			
GOBO 8 from slow to fast	245	255			
15	Gobo Rot	Indexed			000
		Lineary from 0° to 360°	0	127	
		Forward Spin			
		From fast to slow	128	190	
		Stop			
		Stop	191	192	
		Reverse Spin			
From slow to fast	193	255			
16	Gobo Rot Fine	Lineary from 0° to 360° (Indexed)	0	255	000

Channel STANDARD	Name	Function	Min DMX	Max DMX	Default	
17	Fixed Gobo	Indexed			000	
		Open	0	5		
		GOBO 1	6	11		
		GOBO 2	12	17		
		GOBO 3	18	23		
		GOBO 4	24	29		
		GOBO 5	30	35		
		GOBO 6	36	41		
		GOBO 7	42	47		
		GOBO 8	48	53		
		GOBO 9	54	59		
		GOBO 10	60	65		
		GOBO 11	66	75		
		Forward Spin				
		From fast to slow	76	127		
		Stop				
		Stop	128	129		
		Reverse Spin				
		From slow to fast	130	181		
		Shake				
		GOBO 1 from slow to fast	182	187		
		GOBO 2 from slow to fast	188	193		
		GOBO 3 from slow to fast	194	199		
		GOBO 4 from slow to fast	200	205		
		GOBO 5 from slow to fast	206	211		
		GOBO 6 from slow to fast	212	217		
GOBO 7 from slow to fast	218	223				
GOBO 8 from slow to fast	224	229				
GOBO 9 from slow to fast	230	235				
GOBO 10 from slow to fast	236	241				
GOBO 11 from slow to fast	242	255				
18	Prism 1	Open	0	127	000	
		Prism insert	128	255		
19	Prism 1 Rotation	Indexed			000	
		Lineary from 0° to 360°	0	127		
		Forward Spin				
		From fast to slow	128	190		
		Stop				
		Stop	191	192		
		Reverse Spin				
From slow to fast	193	255				
20	Prism 2	Open	0	127	000	
		Prism insert	128	255		

Channel STANDARD	Name	Function	Min DMX	Max DMX	Default
21	Prism 2 Rotation	Indexed			000
		Lineary from 0° to 360°	0	127	
		Forward Spin			
		From fast to slow	128	190	
		Stop			
		Stop	191	192	
		Reverse Spin			
		From slow to fast	193	255	
22	Frost	Continuous			000
		Lineary from 0% to 100%	0	255	
23	Zoom	Lineary from in to out	0	255	000
24	Zoom Fine	Lineary from in to out	0	255	000
25	Focus	Lineary from in to out	0	255	000
26	Focus Fine	Lineary from in to out	0	255	000
27	Animation Insertion	Continuous			000
		Lineary from 0% to 100%	0	255	
28	Animation Rotation	Indexed			000
		Lineary from 0° to 360°	0	127	
		Forward Spin			
		From fast to slow	128	190	
		Stop			
		Stop	191	192	
		Reverse Spin			
		From slow to fast	193	255	
29	Control	No Function/Safe	0	1	000
		PAN REVERSE ON	2	3	
		PAN REVERSE OFF	4	5	
		TILT REVERSE ON	6	7	
		TILT REVERSE OFF	8	9	
		PAN/TILT MODE FAST	10	11	
		PAN/TILT MODE MEDIUM	12	13	
		PAN/TILT MODE SLOW	14	15	
		MOVEMENT IN BLACKOUT ON	16	17	
		MOVEMENT IN BLACKOUT OFF	18	19	
		COLOR WHEEL 1 BLACKOUT ON (index)	20	21	
		COLOR WHEEL 1 BLACKOUT OFF (index)	22	23	
		COLOR WHEEL 2 BLACKOUT ON (index)	24	25	
		COLOR WHEEL 2 BLACKOUT OFF (index)	26	27	
		COLOR WHEEL 3 BLACKOUT ON (index)	28	29	
		COLOR WHEEL 3 BLACKOUT OFF (index)	30	31	
		ROTATING GOBO WHEEL BLACKOUT ON (index)	32	33	
		ROTATING GOBO WHEEL BLACKOUT OFF (index)	34	35	
		FIXED GOBO WHEEL BLACKOUT ON (index)	36	37	
		FIXED GOBO WHEEL BLACKOUT OFF (index)	38	39	
COLOR WHEEL 1 CONTINUOUS MOVEMENT (index)	40	41			

Channel STANDARD	Name	Function	Min DMX	Max DMX	Default
		COLOR WHEEL 1 STEP MOVEMENT (index)	42	43	
		COLOR WHEEL 2 CONTINUOUS MOVEMENT (index)	44	45	
		COLOR WHEEL 2 STEP MOVEMENT (index)	46	47	
		COLOR WHEEL 3 CONTINUOUS MOVEMENT (index)	48	49	
		COLOR WHEEL 3 STEP MOVEMENT (index)	50	51	
		ROTATING GOBO WHEEL CONTINUOUS MOVEMENT (index)	52	53	
		ROTATING GOBO WHEEL STEP MOVEMENT (index)	54	55	
		FIXED GOBO WHEEL CONTINUOUS MOVEMENT (index)	56	57	
		FIXED GOBO WHEEL STEP MOVEMENT (index)	58	59	
		HOME MODE STANDARD	60	61	
		HOME MODE CUSTOM	62	63	
		DISPLAY ON	64	65	
		DISPLAY 10S	66	67	
		DISPLAY 20S	68	69	
		DISPLAY 30S	70	71	
		FLIP DISPLAY ON	72	73	
		FLIP DISPLAY OFF	74	75	
		FLIP DISPLAY AUTO	76	77	
		KEY LOCK ON	78	79	
		KEY LOCK OFF	80	81	
		FAN MODE AUTO	82	83	
		FAN MODE SILENT	84	85	
		FAN MODE HIGH	86	87	
		NO SIGNAL HOLD	88	89	
		NO SIGNAL BLACKOUT	90	91	
		STATUS LED ON	92	93	
		STATUS LED OFF	94	95	
		DIMMER CURVE LINEAR	96	97	
		DIMMER CURVE S-CURVE	98	99	
		DIMMER CURVE SQUARE LAW	100	101	
		DIMMER CURVE INVERSE SQUARE LAW	102	103	
		DIMMER SPEED AUTO	104	105	
		DIMMER SPEED FAST	106	107	
		DIMMER SPEED MEDIUM	108	109	
		DIMMER SPEED SLOW	110	111	
		LED FREQUENCY 600HZ	112	113	
		LED FREQUENCY 1200HZ	114	115	
		LED FREQUENCY 2000HZ	116	117	
		LED FREQUENCY 4000HZ	118	119	
		LED FREQUENCY 6000HZ	120	121	
		LED FREQUENCY 25KHZ	122	123	
		LED FREQUENCY 50KHZ	124	125	
		INVERT ZOOM OFF	126	127	

Channel STANDARD	Name	Function	Min DMX	Max DMX	Default
		INVERT ZOOM ON	128	129	
		RESET ALL	130	131	
		RESET PAN/TILT	132	133	
		RESET PAN	134	135	
		RESET TILT	136	137	
		RESET COLOR 1	138	139	
		RESET COLOR 2	140	141	
		RESET COLOR 3	142	143	
		RESET ROTATING GOBO	144	145	
		RESET GOBO ROTATION	146	147	
		RESET FIXED GOBO	148	149	
		RESET ZOOM	150	151	
		RESET FOCUS	152	153	
		RESET ANIMATION	154	155	
		RESET 6F PRISM	156	157	
		RESET 8F PRISM	158	159	
		RESET FROST	160	161	
		RESET OTHER	162	163	
		Reserved	164	165	
		Reserved	166	167	
		Reserved	168	169	
		Reserved	170	171	
		Reserved	172	173	
		Reserved	174	175	
		Reserved	176	177	
		Reserved	178	179	
		Reserved	180	181	
		Reserved	182	183	
		Reserved	184	185	
		Reserved	186	187	
		Reserved	188	189	
		Reserved	190	191	
		Reserved	192	193	
		Reserved	194	195	
		Reserved	196	197	
		Reserved	198	199	
		Reserved	200	201	
		Reserved	202	203	
		Reserved	204	205	
		Reserved	206	207	
		Reserved	208	209	
		Reserved	210	211	
		Reserved	212	213	
		Reserved	214	215	
		Reserved	216	217	
		Reserved	218	219	
		Reserved	220	221	

Channel STANDARD	Name	Function	Min DMX	Max DMX	Default
		Reserved	222	223	
		Reserved	224	225	
		Reserved	226	227	
		Reserved	228	229	
		Reserved	230	231	
		Reserved	232	233	
		Reserved	234	235	
		Reserved	236	237	
		Reserved	238	239	
		Reserved	240	241	
		Reserved	242	243	
		Reserved	244	245	
		Reserved	246	247	
		Reserved	248	249	
		Reserved	250	251	
		Reserved	252	253	
		FACTORY DEFAULT OF CONTROL FUNCTIONS	254	255	