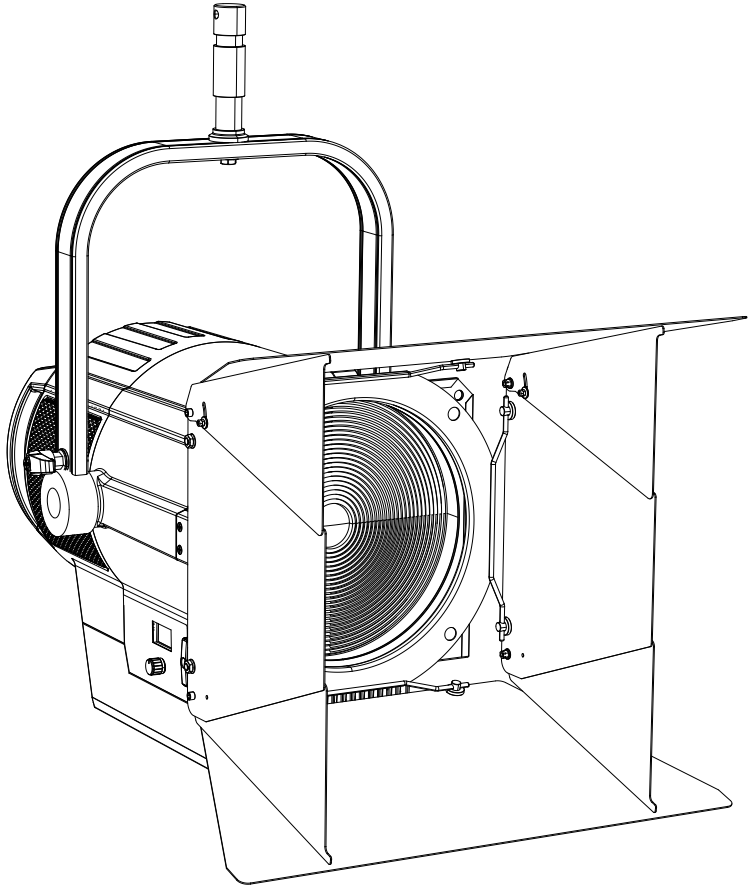


ECLFR2KTU-DY

FRESNEL PROJECTOR



USER MANUAL
MANUALE UTENTE

All rights reserved by Music & Lights S.r.l. No part of this instruction manual may be reproduced in any form or by any means for any commercial use.

In order to improve the quality of products, Music&Lights S.r.l. reserves the right to modify the characteristics stated in this instruction manual at any time and without prior notice.
All revisions and updates are available in the 'manuals' section on site www.musiclights.it

TABLE OF CONTENTS**Safety**

General instructions	2
Warnings and installation precautions	2

1 Introduction

1.1 Description and specifications	3
1.2 Operating elements and connections	5

2 Installation

2.1 Mounting	6
--------------------	---

3 Functions and settings

3.1 Operation	7
3.2 Basic	7
3.3 Menu structure	8
3.4 DMX addressing	9
3.5 DMX configuration	9
3.6 Linking	9
3.7 Screen	10
3.8 Fixture settings	10
3.9 Information	11
3.10 Master/Slave mode	11
3.11 Effects mode	11
3.12 Static mode	11
3.13 DMX control	12
3.14 Connection of the DMX line	13
3.15 Construction of the DMX termination	13

4 Maintenance

4.1 Maintenance and cleaning the unit	14
4.2 Trouble shooting	14

Packing content	<ul style="list-style-type: none"> • ECLFR2KTU-DY • ECLFR2KTPG • ECLFR2KBD • ECLFRSPG • Power cable • User manual
------------------------	-------------------------------------------------------------------------------------------------------------------------------------------------------------------------------




WARNING! Before carrying out any operations with the unit, carefully read this instruction manual and keep it with care for future reference. It contains important information about the installation, usage and maintenance of the unit.



SAFETY

General instruction

- The products referred to in this manual conform to the European Community Directives and are therefore marked with **CE**.
- The unit is supplied with hazardous network voltage (230V~). Leave servicing to skilled personnel only. Never make any modifications on the unit not described in this instruction manual, otherwise you will risk an electric shock.
- Connection must be made to a power supply system fitted with efficient earthing (Class I appliance according to standard EN 60598-1). It is, moreover, recommended to protect the supply lines of the units from indirect contact and/or shorting to earth by using appropriately sized residual current devices.
- The connection to the main network of electric distribution must be carried out by a qualified electrical installer. Check that the main frequency and voltage correspond to those for which the unit is designed as given on the electrical data label.
- This unit is not for home use, only professional applications.
- Never use the fixture under the following conditions:
 - in places subject to vibrations or bumps;
 - in places with a temperature of over 45 °C.
- Make certain that no inflammable liquids, water or metal objects enter the fixture.
- Do not dismantle or modify the fixture.
- All work must always be carried out by qualified technical personnel. Contact the nearest sales point for an inspection or contact the manufacturer directly.
- If the unit is to be put out of operation definitively, take it to a local recycling  plant for a disposal which is not harmful to the environment.

Warnings and installation precautions

- If this device will be operated in any way different to the one described in this manual, it may suffer damage and the guarantee becomes void. Furthermore, any other operation may lead to dangers like short circuit, burns, electric shock, etc.
- Before starting any maintenance work or cleaning the projector, cut off power from the main supply.
- Always additionally secure the projector with the safety rope. When carrying out any work, always comply scrupulously with all the regulations (particularly regarding safety) currently in force in the country in which the fixture's being used.
- Install the fixture in a well ventilated place.
- Keep any inflammable material at a safe distance from the fixture.
- Shields, lenses or ultraviolet screens shall be changed if they have become damaged to such an extent that their effectiveness is impaired.
- The lamp (LED) shall be changed if it has become damaged or thermally deformed.
- Never look directly at the light beam. Please note that fast changes in lighting, e. g. flashing light, may trigger epileptic seizures in photosensitive persons or persons with epilepsy.
- Do not touch the product's housing when operating because it may be very hot.
- This product was designed and built strictly for the use indicated in this documentation. Any other use, not expressly indicated here, could compromise the good condition/operation of the product and/or be a source of danger.
- We decline any liability deriving from improper use of the product.

- 1 - INTRODUCTION

1.1 DESCRIPTION

ECLFR2K is the LED replacement for a standard tungsten 2K fresnel. Featuring the output characteristics of a traditional Fresnel but with beam control, functional barn doors and a power source that focuses on outstanding colour rendition. The ECLFR2K adds all the advantages of LED to the Fresnel.

1.2 TECHNICAL SPECIFICATIONS

LIGHT SOURCE

- Source: 507W high-power white LED
- CT: (TU) 3200 K - (DY) 5600K
- CRI: (TU) 97 Ra - (DY) 92
- R9: (TU) >90 - (DY) > 81
- Luminous flux: (TU) (45°) 25338 lm (15°) 22556 lm - (DY) (45°) 33750 lm (15°) 27960lm @Full
- Lux: (TU) (15°) 28400 lux - (45°) 6150 lux - (DY) (15°) 31200 lux - (45°) 6790lux @3m full
- Lux: (TU) - (15°) 10224 lux - (45°) 2214 lux - (DY) (15°) 11231 lux - (45°) 2445lux @5m full
- Source life expectancy: >50.000 h
- Other: TM30-15RG/RF: (TU - 15°) 94/103, (TU - 45°) 93/104 - (DY - 15°) 90/102, (DY - 45°) 90/103 - TLCI: (TU - 15°) 94.8, (TU - 45°) 94.4 - (DY - 15°) 94, (DY - 45°) 93.6

OPTICS

- Zoom: 15° - 45° manual
- Lens diameter: 250mm
- Lens type: Fresnel zoom lens
- Other: Spigot, barn door and gel frame included

COLOUR SYSTEM

- Colour mixing: warm white
- Macros: several pre-build macros with adjustable speed

DYNAMIC EFFECTS

- Static colour mode: selection of static dimmer
- Manual colour mode: manual adjust of dimmer through menu and knob
- Auto mode: built-in programs with execution speed adjustment

BODY

- Hardware on-board: filter frame, 8 doors barndoor, omega bracket spigot
- Body: sturdy die-cast aluminium body conceived for long-time durability
- Body colour: black
- Other: Pan/Tilt infinite for pole operated version

CONTROL

- Protocols: DMX512, RDM, Local knob
- DMX channels: 1 / 2-1 / 2-2 / 3 / 5channel
- RDM: RDM ready for fixture remote monitor and settings
- Display: black OLED high resolution display
- Firmware upgrade: yes, via USB-DMX interface (UPBOX1) not included
- Master/Slave: for synchronized operation of more units linked in a chain

- Other: 16bit control of dimmer

ELECTRONICS

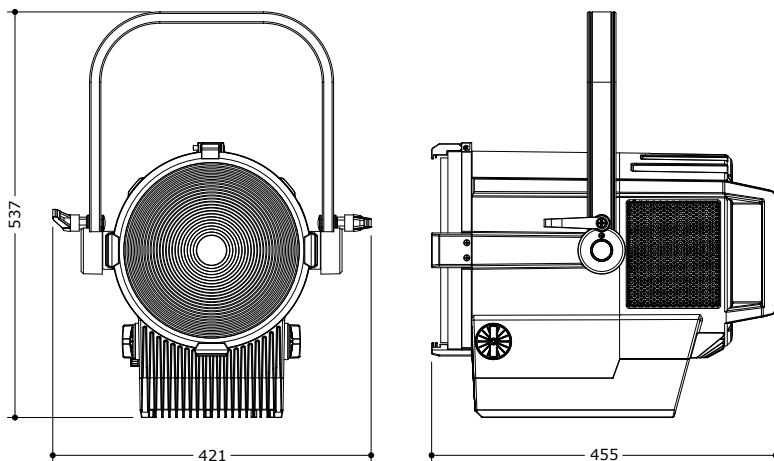
- Dimmer: linear 0~100% electronic dimmer
- Dimmer curves: different dimming curves available
- Strobe / shutter: 1 - 30 Hz, electronic
- Operating temperature: $-10^{\circ} \sim +45^{\circ}$
- Flicker: flicker free frequency with adjustable PWM
- Selectable PWM: 600~25K Hz

ELECTRICAL

- Power consumption: 550W
- Power supply: 100-240V – 50/60Hz
- Power consumption (at 230V): 466W
- Power consumption (at 120V): 469W
- Output (at 230V): 4 units on a single power line
- Output (at 120V): 2 units on a single power line
- Power factor: pF 0.96 @ 230V - pF 0.99 @ 120V

PHYSICAL

- Cooling: combination of heat pipe cooling system and low noise fan
- Suspension and fixing: hanging bracket suitable for safe hanging and positioning
- Signal connection: Amphenol XLR 5p IN/OUT connectors
- Power connection: Neutrik powerCON TRUE1 IN/OUT connectors
- IP rating: 20
- Dimensions (WxHxD): 421x537x455mm
- Weight: 17.2kg



Technical drawing

Fig.1

1.3 OPERATING ELEMENTS AND CONNECTIONS

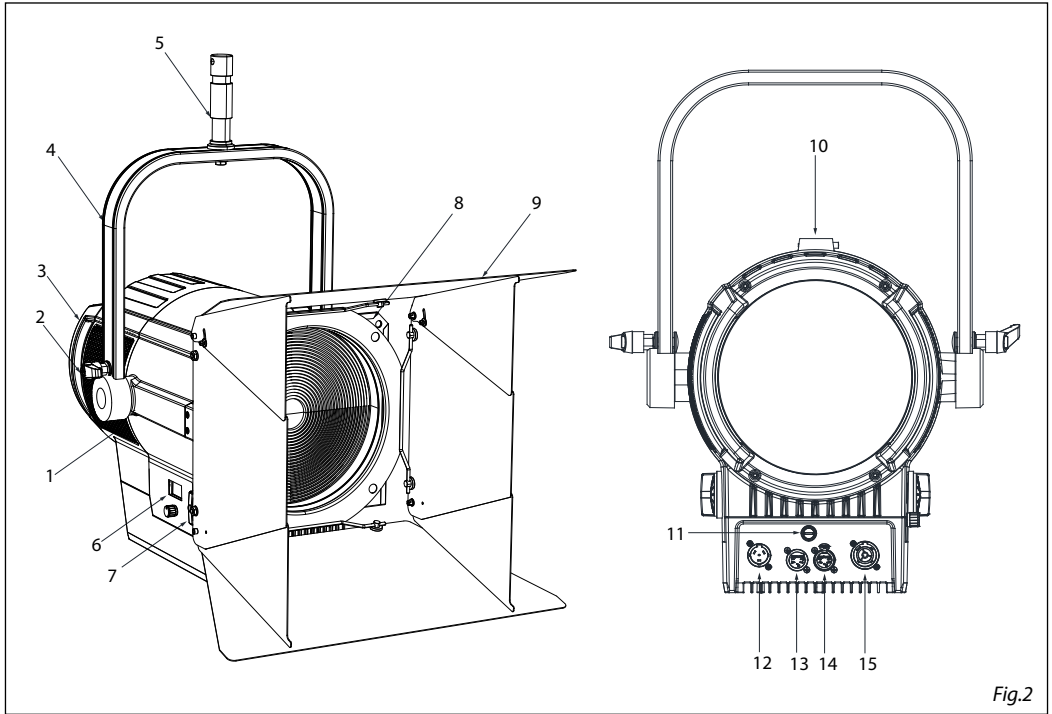


Fig.2

1. VENTILATION GRID for air flow outlet not to be obstructed.
2. Knob for inclination adjustment.
3. HANDLE
4. MOUNTING BRACKET
5. SPIGOT
6. CONTROL PANEL with display and 1 button used to access the control panel functions and manage them.
7. ZOOM ADJUSTMENT Knob AND FOCUS to zoom the projected image clearly.
8. GEL FILTER FRAME
9. BARN DOOR with directional flaps to adjust the light beam.
10. GUIDE for locking and releasing accessories
11. MAIN FUSE HOLDER: replace a burnt-out fuse by one of the same type only
12. POWER IN (PowerCON TRUE IN): for connection to a socket (100-240V~/50-60Hz) via the supplied mains cable.
13. DMX IN (5-pole XLR): 1 = ground, 2 = DMX-, 3 = DMX+, 4 N/C, 5 N/C.
14. DMX OUT (5-pole XLR): 1 = ground, 2 = DMX-, 3 = DMX+, 4 N/C, 5 N/C.
15. POWER OUT (PowerCON TRUE OUT): power output for connection of multiple units in series.

- 2 - INSTALLATION

2.1 MOUNTING

ECLFR2KTU-DY is designed for applications in exhibition areas, commercial spaces, museums, restaurant, churches, and any other installation where size is an important factor. For fixing, stable mounting clips are required. The mounting place must be of sufficient stability and be able to support a weight of 10 times of the unit's weight.

When carrying out any installation, always comply scrupulously with all the regulations (particularly regarding safety) currently in force in the country in which the fixture's being used.

- Install the projector at a suitable location.
- Always additionally secure the projector with the safety rope from falling down. For this purpose, fasten the safety rope at a suitable position so that the maximum fall of the projector will be 20 cm. Then adjust the projector and use the knobs.

NOTE - For the installation of the ECLFR2KTU-DY make sure that the ridge of the adaptor is in with the groove of the track. Turn knobs 90° to connect the adaptor to the circuit. Please see the figure 4.

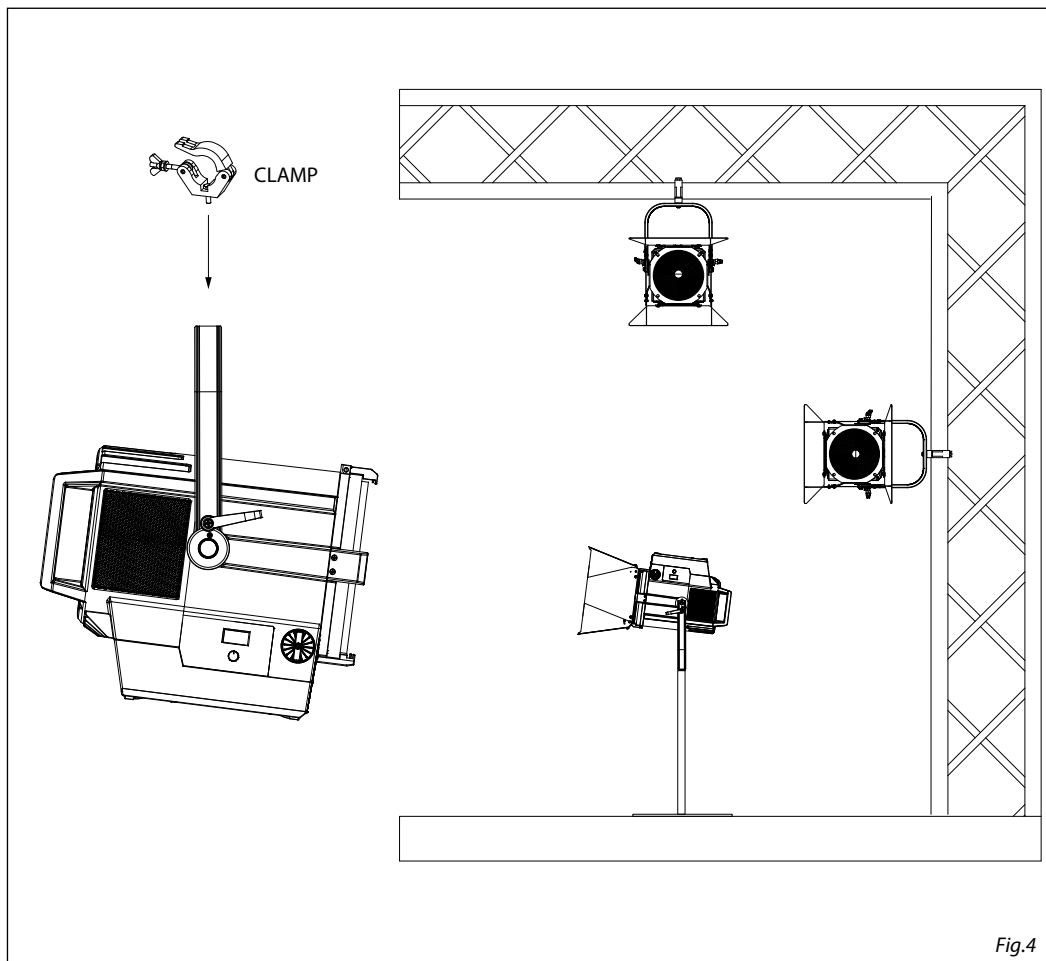


Fig.4

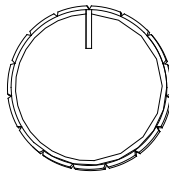
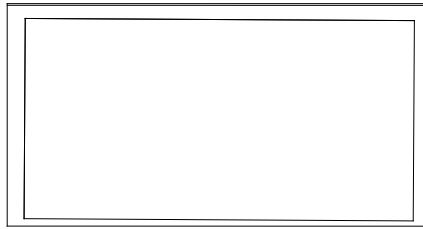
- 3 - FUNCTIONS AND SETTINGS

3.1 OPERATION

To turn ECLFR2KTU-DY connect the supplied main cable to a socket (100-240 VAC-50/60 Hz). Then the unit is ready for operation and can be operated via a DMX controller. To switch off, disconnect the mains plug from the socket. For a more convenient operation it is recommended to connect the unit to a socket which can be switched on and off via a light switch.

3.2 BASIC

The ECLFR2KTU-DY has a display and 1 button for access to the control panel functions (fig.5).



Knob

Used to access the menu, to return a previous menu option, to navigate through the menu, to select and store the current menu or confirm the current function value or option within a menu

3.3 MENU STRUCTURE

MENU				
1	CONNECT	⇒ DMX Address	⇒ Value (001-512)	
		DMX Mode	⇒ EASY 1CH	
			BASIC 2CH 1	
			BASIC 2CH 2	
			BASIC 3CH	
		STANDARD 5CH		
2	SETUP	⇒ Screen	⇒ Back Light	⇒ On
				10S
				20S
		Flip Display	⇒ No-Yes	
3	ADVANCED	⇒ Dimmer Mode	⇒ Off	
			Dimmer 1	
			Dimmer 2	
			Dimmer 3	
		⇒ Led Frequency	⇒ 600Hz	
		1200 Hz		
		2000 Hz		
		4000 Hz		
		6000Hz		
		25KHZ		
	⇒ Fan Mode	⇒ Auto		
		On		
		Off		
		Silent		
	⇒ Factory Reload	⇒ No-Yes		
4	INFORMATION	⇒ Fixture Hours	⇒ 0-9999	
		⇒ Version	⇒ V1.0	
		⇒ UID	⇒ 15D0022A****	
5	STAND ALONE	⇒ Master/Slave	⇒ Master/Slave	
		⇒ Effects	⇒ Effect 1	⇒ Speed 1~100
			Effect 2	
			Effect 3	
			Effect 4	
	⇒ Static	⇒ Dimmer	⇒ Value (0~255)	
		Strobe		

3.4 DMX ADDRESSING

To set DMX addressing follow the instructions below:

- Press the knob to enter the menu mode.
- Use the knob to select **Connect**. Press the knob to confirm.
- Rotate the knob to select **DMX Address**. Press the knob to confirm.
- Rotate the knob to select the desired value **001-512**. Press the knob to confirm.
- Press repeatedly the knob to return the menu mode.

To able to operate the ECLFR2KTU-DY with a light controller, adjust the DMX start address for the first a DMX channel. If e. g. address 33 on the controller is provided for controlling the function of the first DMX channel, adjust the start address 33 on the ECLFR2KTU-DY. The other functions of the light effect panel are then automatically assigned to the following addresses.

3.5 DMX CONFIGURATION

The ECLFR2KTU-DY has different DMX channels configurations available selectable through the control panel.

- Rotate the knob to enter the menu mode.
- Use the knob to select the **Connect**. Press the knob to confirm.
- Press the knob to select the **DMX mode**. Then press the knob to confirm.
- Press the knob to select the desired configuration (**EASY 1CH - BASIC 2CH 1 - BASIC 2CH 2 - BASIC3CH - STANDARD 5CH**); then press it to save.
- Press repeatedly the knob to return the menu mode.

The tables on page 12 indicate the operating mode and DMX value. The ECLFR2KTU-DY is equipped with 5-pole XLR connections.

3.6 LINKING

Several units may be interconnected; follow the instructions below:

1. Connect the DMX OUT of the master unit via 5-pole XLR cable to the DMX IN of the first slave unit.
2. Connect the DMX OUT of the first slave unit to the DMX IN of the second slave unit, etc. until all units are connected in a chain.

Use standard DMX cables to daisy chain your units together via the DMX connector on the rear of the units. For longer cable runs we suggest a terminator at the last fixture (see page 13).

Numero canali DMX	Indirizzo di start (esempio)	Indirizzo DMX occupati	Prossimo indirizzo di start possibile per unità n°1	Prossimo indirizzo di start possibile per unità n°2	Prossimo indirizzo di start possibile per unità n°3
1	33	33	34	35	36
2	33	33-34	35	37	39
3	33	33-35	36	39	42
5	33	33 - 37	38	43	48

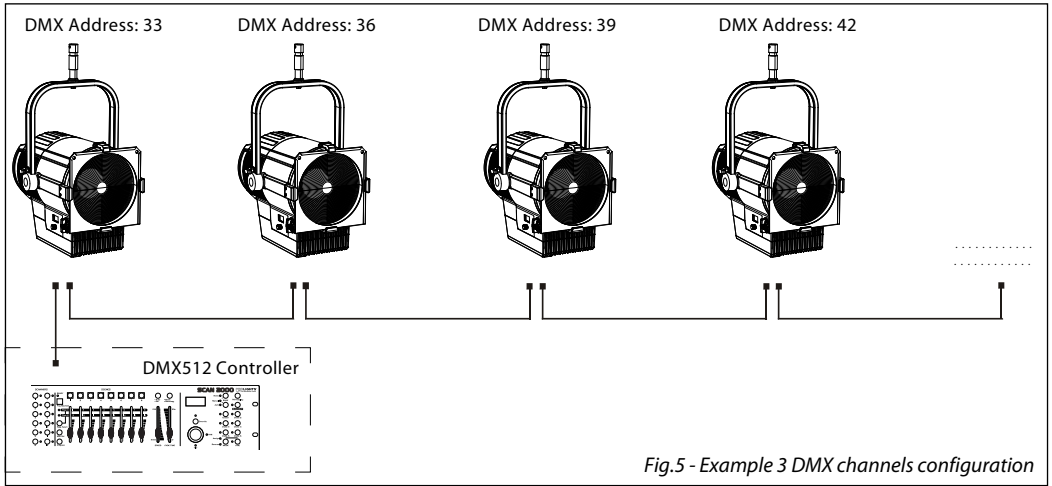


Fig.5 - Example 3 DMX channels configuration

3.7 SCREEN

It is possible to modify the following parameters, related to the display, following the same procedure:

- Press the knob to access the main menu.
- Rotate the knob to scroll through the menu, select **Set Up**, then press the knob access the next menu.
- Press the knob to select **Screen** and press the knob to proceed.
- Select the proposed option with the knob and press the knob to confirm.
 - **Backlight** - Auto Off display backlight. This function allows you to switch off automatically the back-lighting of the display after a certain time which can be set using the directional keys. To have the display always on select **On** or set a value between those shown (**10s, 20s, 30s**) to turn off the display once the chosen time has elapsed, after exiting the menu.
 - **Flip Display** - Display orientation. This feature allows you to rotate the display by 180 ° to get a better view of the display when the unit is hanging upside down. Select **Yes** to activate the function, **No** to deactivate it.
- Press the knob to confirm the selection.
- Press the knob repeatedly to exit the menu and to save the changes made.

3.8 ADVANCED

You can change the parameters for the device by following these steps:

- Press the knob to enter the menu mode.
- Use the knob to select the **Advanced**. Press the button knob.
- Press the knob to select the desired option and press the Knob to confirm:
 - **Dimmer Mode** - Adjusting the dimmer. Enter in **Dimmer Mode** to select specific dimming curve. Particularly when set:
 - **Off**: The increase in light intensity is linear.
 - **Dimmer 1**: dimmer curve with low fade.
 - **Dimmer 2**: dimmer curve with medium fade.
 - **Dimmer 3**: dimmer curve with high fade.
 - **LED Frequency** - To adjust the frequency of the LEDs. Select the frequency **600 Hz - 25 KHz** using the knob and press it to confirm the selection.

- **Fan Mode** - Fan Speed. Select the fan speed (**Auto, On, Off, Silent**) using the knob.
- **Factory Reload** - To reset the unit. Select **Yes** or **No** and select the knob to confirm.
- Press repeatedly the knob to return the menu mode.

3.9 INFORMATION

To view all the information on the device, proceed as follows:

- Press the knob to access the main menu. Rotate the knob to select **Information**, then press it to access the next menu.
- Rotate the knob to scroll through the menu, then select one of the following information and press it to display it.
 - **Fixture Time** - To view the operating time of the projector.
 - **Software Version** - To view the firmware version will show on the display.
 - **UID** - To view the identification ID for the RDM control.
- Press repeatedly the knob to return the menu mode.

3.10 MASTER/SLAVE MODE

This mode will allow you to link up the units together without a controller. Choose a unit to function as the Master. The unit must be the first unit in line; other units will work as slave.

- Press the knob so many times until the display shows **Stand Alone**, then press it.
- Select **Master/Slave**.
- Using knob, select the desired mode and then press the Knob.
- Press the knob to go back or to meet the waiting time to exit the setup menu.
- Use standard DMX cables to daisy chain your units together via the DMX connector on the rear of the units. For longer cable runs we suggest a terminator at the last fixture (see page 13).
- Set the slaves to the same DMX modes.

NOTE: the unit, set in Static or Effect mode, always appears to be Master.

3.11 EFFECTS MODE

This fixture has a built-in automatic program. To access this, please see the below instructions:

- To enter the **Effects** mode, press the knob to access the menu.
- Rotate the knob select **Stand Alone**, then select **Effect**. Press it to confirm
- Use the knob to select the desired program **Effect 1, Effect 2, Effect 3, Effect 4**, then press it to confirm.
- Set the value (**1 - 100**), then press the knob to confirm.

NOTE: after selecting the described mode, the unit will be Master.

3.12 STATIC MODE

This fixture has the ability to accept custom static color settings. Access these chases via the control panel on the back of the fixture.

- To enable the static mode, press the knob repeatedly until **Stand Alone** shows on the display.
- Set the strobo value **Strobe (000 - 255)**, through the knob, then press it to confirm.
- Set the dimmer value **Dimmer (000 - 255)**, through the knob, then press it to confirm.
- Press repeatedly the knob to return the menu mode.

NOTE: after selecting the described mode, the unit will be Master.

3.13 DMX CONTROL

1 CHANNEL

MODE 1 Ch	FUNCTION	DMX Value
1	DIMMER 0~100%	000 - 255

2 CHANNELS 1

MODE 2 Ch	FUNCTION	DMX Value
1	DIMMER 0~100%	000 - 255
2	DIMMER FINE 0~100%	000 - 255

2 CHANNELS 2

MODE 2 Ch	FUNCTION	DMX Value
1	DIMMER 0~100%	000 - 255
2	STROBE NO Function Strobe Slow to Fast	000 - 010 011 - 255

3 CHANNELS

MODE 3 Ch	FUNCTION	DMX Value
1	DIMMER 0~100%	000 - 255
2	DIMMER FINE 0~100%	000 - 255
3	STROBE NO Function Strobe Slow to Fast	000 - 010 011 - 255

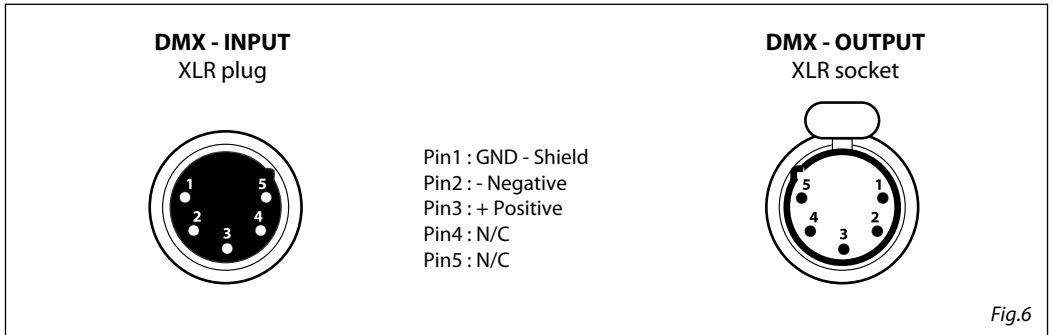
5 CHANNELS

MODE 5 Ch	FUNCTION	DMX Value
1	DIMMER 0~100%	000 - 255
2	STROBE NO Function Strobe Slow to Fast	000 - 010 011 - 255
3	AUTO PROGRAMS No Function Auto Program 1 Auto Program 2 Auto Program 3 Auto Program 4	000 - 010 011 - 070 071 - 130 131 - 190 191 - 255
4	AUTO SPEED Auto speed slow to fast	000 - 255
5	DIMMER SPEED MODE Preset dimmer speed from display menu Dimmer speed mode off Dimmer speed mode1 (fast speed) Dimmer speed mode2 (middle speed) Dimmer speed mode3 (slow speed)	000 - 051 052 - 101 102 - 152 153 - 203 204 - 255

3.14 CONNECTION OF THE DMX LINE

DMX connection employs standard XLR connectors. Use shielded pair-twisted cables with 120Ω impedance and low capacity.

The following diagram shows the connection mode:



ATTENTION

The screened parts of the cable (sleeve) must never be connected to the system's earth, as this would cause faulty fixture and controller operation.

Over long runs can be necessary to insert a DMX level matching amplifier.

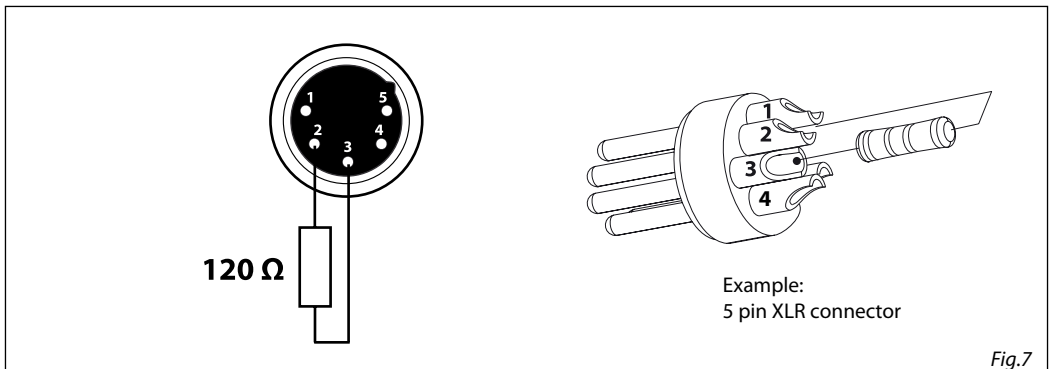
For those connections the use of balanced microphone cable is not recommended because it cannot transmit control DMX data reliably.

- Connect the controller DMX input to the DMX output of the first unit.
- Connect the DMX output to the DMX input of the following unit. Connect again the output to the input of the following unit until all the units are connected in chain.
- When the signal cable has to run longer distance is recommended to insert a DMX termination on the last unit.

3.15 CONSTRUCTION OF THE DMX TERMINATION

The termination avoids the risk of DMX 512 signals being reflected back along the cable when they reach the end of the line: under certain conditions and with certain cable lengths, this could cause them to cancel the original signals.

The termination is prepared by soldering a 120Ω 1/4 W resistor between pins 2 and 3 of the 5-pin male XLR connector, as shown in figure.



- 4 - MAINTENANCE

4.1 MAINTENANCE AND CLEANING THE UNIT

- Make sure the area below the installation place is free from unwanted persons during setup.
- Switch off the unit, unplug the main cable and wait until the unit has cooled down.
- All screws used for installing the device and any of its parts should be tightly fastened and should not be corroded.
- Housings, fixations and installation spots (ceiling, trusses, suspensions) should be totally free from any deformation.
- The main cables must be in impeccable condition and should be replaced immediately even when a small problem is detected.
- It is recommended to clean the front at regular intervals, from impurities caused by dust, smoke, or other particles to ensure that the light is radiated at maximum brightness. For cleaning, disconnect the main plug from the socket. Use a soft, clean cloth moistened with a mild detergent. Then carefully wipe the part dry. For cleaning other housing parts use only a soft, clean cloth. Never use a liquid, it might penetrate the unit and cause damage to it.

4.2 TROUBLESHOOTING

Problems	Possible causes	Checks and remedies
Fixture does not light up	<ul style="list-style-type: none"> • No mains supply • Dimmer fader set to 0 • Faulty LED 	<ul style="list-style-type: none"> • Check the power supply voltage • Increase the value of the dimmer channels • Replace the LED board
General low light intensity	<ul style="list-style-type: none"> • Dirty lens assembly • Misaligned lens assembly 	<ul style="list-style-type: none"> • Clean the fixture regularly • Install lens assembly properly
Fixture does not power up	<ul style="list-style-type: none"> • No power • Loose or damaged power cord 	<ul style="list-style-type: none"> • Check for power on power outlet • Check power cord

Contact an authorized service center in case of technical problems or not reported in the table can not be resolved by the procedure given in the table.

Music & Lights S.r.l. si riserva ogni diritto di elaborazione in qualsiasi forma delle presenti istruzioni per l'uso.
La riproduzione - anche parziale - per propri scopi commerciali è vietata.

Al fine di migliorare la qualità dei prodotti, la Music&Lights S.r.l. si riserva la facoltà di modificare, in qualunque momento e senza preavviso, le specifiche menzionate nel presente manuale di istruzioni. Tutte le revisioni e gli aggiornamenti sono disponibili nella sezione 'Manuali' sul sito www.musiclights.it

INDICE**Sicurezza**

Avvertenze generali	4
Attenzioni e precauzioni per l'installazione	4

1 Introduzione

1.1 Descrizione e specifiche tecniche	5
1.2 Elementi di comando e di collegamento	7

2 Installazione

2.1 Montaggio	8
---------------------	---

3 Funzioni e impostazioni

3.1 Funzionamento	9
3.2 Impostazione base	9
3.3 Struttura menù	10
3.4 Modalità DMX	11
3.5 Configurazione canali DMX	11
3.6 Collegamento	11
3.7 Screen	12
3.8 Advanced	12
3.9 Informazioni sul dispositivo	13
3.10 Modalità Master/Slave	13
3.11 Modalità Effects	13
3.12 Modalità Static	13
3.13 Canali DMX	14
3.14 Collegamenti della linea DMX	15
3.15 Costruzione del terminatore DMX	15

4 Manutenzione

4.1 Manutenzione e pulizia del sistema ottico	16
4.2 Risoluzione dei problemi	16

Contenuto dell'imballo:

- ECLFR2KTU-DY
- ECLFR2KTPG
- ECLFR2KBD
- ECLFRSPG
- Cavo di alimentazione
- Manuale utente




ATTENZIONE! Prima di effettuare qualsiasi operazione con l'unità, leggere con attenzione questo manuale e conservarlo accuratamente per riferimenti futuri. Contiene informazioni importanti riguardo l'installazione, l'uso e la manutenzione dell'unità.



SICUREZZA

Avvertenze generali

- I prodotti a cui questo manuale si riferisce sono conformi alle Direttive della Comunità Europea e pertanto recano la sigla **CE**.
- Il dispositivo funziona con pericolosa tensione di rete 230V~. Non intervenire mai al suo interno al di fuori delle operazioni descritte nel presente manuale; esiste il pericolo di una scarica elettrica.
- È obbligatorio effettuare il collegamento ad un impianto di alimentazione dotato di un'efficiente messa a terra (apparecchio di Classe I secondo norma EN 60598-1). Si raccomanda, inoltre, di proteggere le linee di alimentazione delle unità dai contatti indiretti e/o cortocircuiti verso massa tramite l'uso di interruttori differenziali opportunamente dimensionati.
- Le operazioni di collegamento alla rete di distribuzione dell'energia elettrica devono essere effettuate da un installatore elettrico qualificato. Verificare che frequenza e tensione della rete corrispondono alla frequenza ed alla tensione per cui l'unità è predisposta, indicate sulla targhetta dei dati elettrici.
- L'unità non per uso domestico, solo per uso professionale.
- Evitare di utilizzare l'unità:
 - in luoghi soggetti a vibrazioni, o a possibili urti;
 - in luoghi a temperatura superiore ai 45°C.
- Evitare che nell'unità penetrino liquidi infiammabili, acqua o oggetti metallici.
- Non smontare e non apportare modifiche all'unità.
- Tutti gli interventi devono essere sempre e solo effettuati da personale tecnico qualificato. Rivolgersi al più vicino centro di assistenza tecnica autorizzato.
- Se si desidera eliminare il dispositivo definitivamente, consegnarlo  per lo smaltimento ad un'istituzione locale per il riciclaggio.

Attenzioni e precauzioni per l'installazione

- Se il dispositivo dovesse trovarsi ad operare in condizioni differenti da quelle descritte nel presente manuale, potrebbero verificarsi dei danni; in tal caso la garanzia verrebbe a decadere. Inoltre, ogni altra operazione potrebbe provocare cortocircuiti, incendi, scosse elettriche, rotture etc.
- Prima di iniziare qualsiasi operazione di manutenzione o pulizia sull'unità togliere la tensione dalla rete di alimentazione.
- È assolutamente necessario proteggere l'unità per mezzo di una fune di sicurezza. Nell'eseguire qualsiasi intervento attenersi scrupolosamente a tutte le normative (in materia di sicurezza) vigenti nel paese di utilizzo.
- Installare l'unità in un luogo ben ventilato.
- Mantenere i materiali infiammabili ad una distanza di sicurezza dall'unità.
- I filtri, le lenti o gli schermi ultravioletti se danneggiati possono limitare la loro efficienza.
- I LED devono essere sostituiti se danneggiati o termicamente deformati.
- Non guardare direttamente il fascio luminoso. Tenete presente che i veloci cambi di luce possono provocare attacchi d'epilessia presso persone fotosensibili o epilettiche.
- Non toccare l'alloggiamento del prodotto quando è in funzione perché potrebbe essere molto caldo.
- This product was designed and built strictly for the use indicated in this documentation. Any other use, not expressly indicated here, could compromise the good condition/operation of the product and/or be a source of danger.
- We decline any liability deriving from improper use of the product.

- 1 - INTRODUZIONE

1.1 DESCRIZIONE

ECLFR2K è una sostituzione avanzata a LED per le tradizionali lampade Fresnel da 2K. Grazie alle caratteristiche di output di un Fresnel tradizionale, al controllo del fascio, alle bandiere e ad una potente sorgente con straordinaria resa colore, ECLFR2K aggiunge tutti i vantaggi del LED al Fresnel.

1.2 SPECIFICHE TECNICHE

SORGENTE LUMINOSA

- Sorgente: 507W LED bianco ad alta potenza
- CT: (TU) 3200 K - (DY) 5600K
- CRI: (TU) 97 Ra - (DY) 92
- R9: (TU) >90 - (DY) > 81
- Flusso luminoso: (TU) (45°) 25338 lm (15°) 22556 lm - (DY) (45°) 33750 lm (15°) 27960lm @Full
- Lux: (TU) (15°) 28400 lux - (45°) 6150 lux - (DY) (15°) 31200 lux - (45°) 6790lux @3m full
- Lux: (TU) - (15°) 10224 lux - (45°) 2214 lux - (DY) (15°) 11231 lux - (45°) 2445lux @5m full
- Durata media sorgente: >50.000 h
- Altro: TM30-15RG/RF: (TU - 15°) 94/103, (TU - 45°) 93/104 - (DY - 15°) 90/102, (DY - 45°) 90/103 - TLCI: (TU - 15°) 94.8, (TU - 45°) 94.4 - (DY - 15°) 94, (DY - 45°) 93.6

OTTICA

- Zoom: 15° - 45° manuale
- Diametro: 250mm
- Tipo lente: Fresnel zoom lens
- Altro: Spigot, barn door and gel frame included

SISTEMA COLORE

- Miscelazione del colore: bianco caldo
- Macros: macro con controllo di velocità e intensità incorporate

EFFETTI DINAMICI

- Modalità colore statico: selezione statica del dimmer
- Modalità colore manuale: regolazione manuale del dimmer tramite menu o manopola
- Auto mode: programmi integrati con regolazione della velocità di esecuzione

CORPO

- Hardware a bordo: telaio del filtro, barndoor ad 8 porte e spigot per staffa OMEGA inclusi
- Corpo: corpo in alluminio pressofuso ad alta resistenza
- Colore: nero
- Altro: Pan/Tilt infinite for pole operated version
- CONTROLLO
- Protocolli: DMX512, RDM, Local Knob
- Canali DMX: 1 / 2-1 / 2-2 / 3 / 5channel
- RDM: RDM ready per controllo e impostazioni remote della fixture
- Display: display black OLED ad alta risoluzione
- Aggiornamento firmware: sì, con interfaccia USB-DMX (UPBOX1) non inclusa
- Master/Slave: per il controllo di più unità collegate in catena
- Altro: 16bit control of dimmer

ELETTRONICA

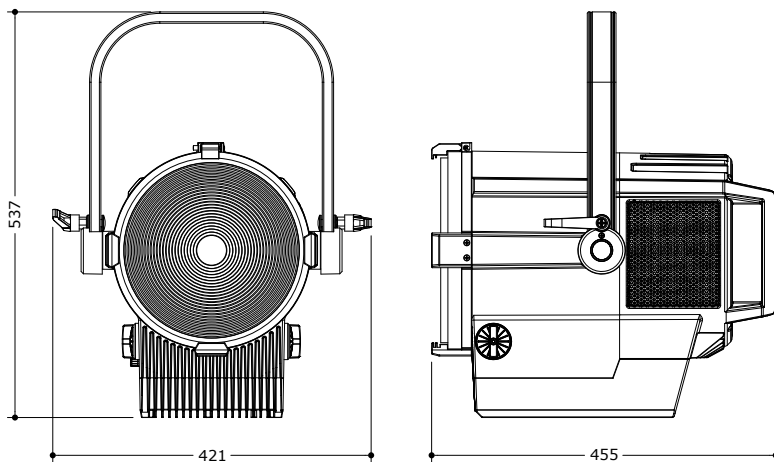
- Dimmer: 0~100% lineare, elettronico
- Curve dimmer: curve dimmer regolabili
- Strobo / shutter: 1 - 30 Hz, elettronico
- Temperatura d'esercizio: -10° ~ +45°
- Flicker: frequenza senza flicker con PWM regolabile
- PWM selezionabile: 600~25K Hz

ALIMENTAZIONE

- Potenza assorbita: 550W
- Alimentazione elettrica: 100-240V – 50/60Hz
- Potenza assorbita (a 230V): 466W
- Potenza assorbita (a 120V): 469W
- Output (a 230V): 4 unità connesse in serie
- Output (a 120V): 2 unità connesse in serie
- Fattore di potenza: pF 0.96 @ 230V - pF 0.99 @ 120V

CARATTERISTICHE FISICHE

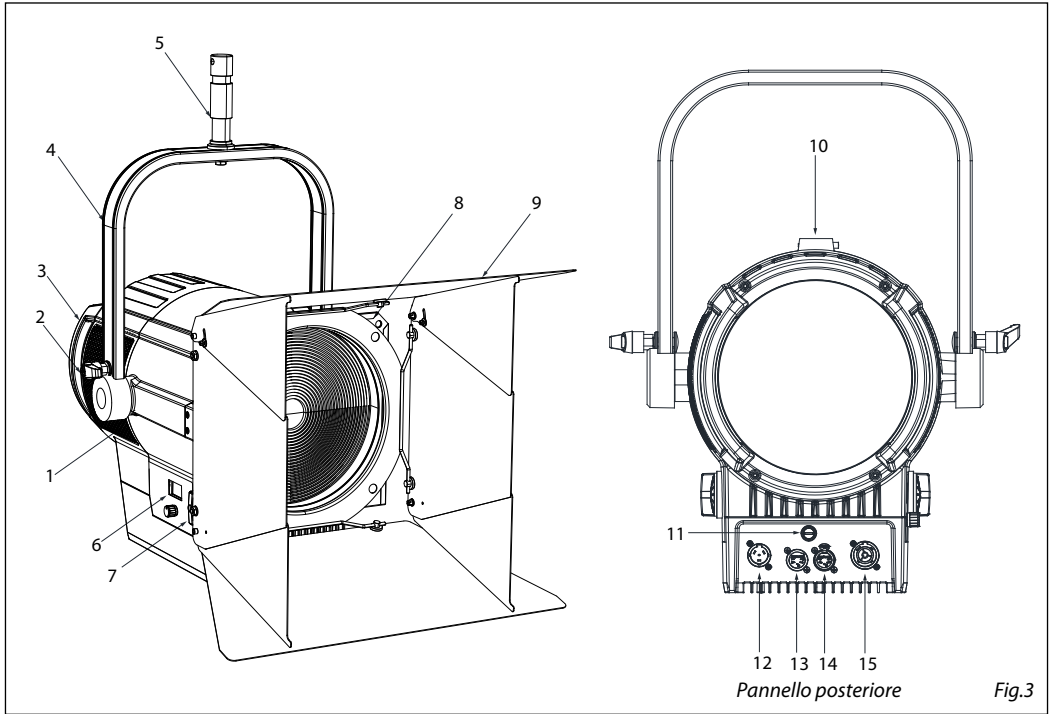
- Raffreddamento: sistema di dissipazione a con heating-pipe
- Sospensione e fissaggio: staffa per il fissaggio in sospensione e per il posizionamento del proiettore con qualsiasi orientamento
- Connessione di segnale: Amphenol XLR 5p IN/OUT connectors
- Connessione di alimentazione: Neutrik powerCON TRUE1 IN/OUT connectors
- Grado IP: 20
- Dimensioni (LxAxP): 421x537x455mm
- Peso: 17.2kg



Disegno tecnico

Fig.1

1.3 ELEMENTI DI COMANDO E COLLEGAMENTI



Pannello posteriore

Fig.3

1. GRIGLIA DI VENTILAZIONE per uscita flusso d'aria da non ostruire.
2. MANOPOLA per regolazione inclinazione.
3. MANIGLIE
4. STAFFA DI MONTAGGIO
5. SPIGOT
6. PANNELLO DI CONTROLLO con display e 1 pulsante per accesso e gestione delle funzioni.
7. MANOPOLA DI REGOLAZIONE ZOOM E MESSA A FUOCO per zoommare l'immagine proiettata in modo chiaro.
8. TELAIO PORTA GELATINA
9. ALETTE per regolazione fascio di luce.
10. GUIDA per bloccaggio e rilascio accessori.
11. PORTAFUSIBILE: sostituire un fusibile difettoso solo con uno dello stesso tipo.
12. POWER IN (PowerCON TRUE IN): per il collegamento ad una presa di rete (100-240V~/50-60Hz) tramite il cavo rete in dotazione.
13. DMX IN (XLR a 5 poli): 1 = massa, 2 = DMX -, 3 = DMX +, 4 N/C, 5 N/C.
14. DMX OUT (XLR a 5 poli): 1 = massa, 2 = DMX -, 3 = DMX +, 4 N/C, 5 N/C.
15. POWER OUT (PowerCON TRUE OUT): output alimentazione per connessione di più unità in serie.

- 2 - INSTALLAZIONE

2.1 MONTAGGIO

ECLFR2KTU-DY è stato progettato per applicazioni in campo commerciale, musei, ristoranti, chiese, teatri educativi e qualsiasi altro ambito in cui le dimensioni rappresentano un fattore importante.

Per il fissaggio occorrono dei supporti robusti per il montaggio. L'area di collocazione deve avere una stabilità sufficiente e supportare almeno 10 volte il peso dell'unità. Inoltre assicurarsi di rispettare tutte le avvertenze in materia di sicurezza.

- Fissare il proiettore ad una collocazione idonea.
- È assolutamente necessario assicurare il proiettore contro la caduta utilizzando un cavo di sicurezza: in particolare collegare il cavo in un punto adatto in modo che la caduta del proiettore non possa superare i 20 cm. Quindi orientare il proiettore.

NOTA - Per l'installazione del proiettore ECLFR2KTU-DY inserire il gancio o un morsetto idoneo per fissarlo ad un sistema sospeso.

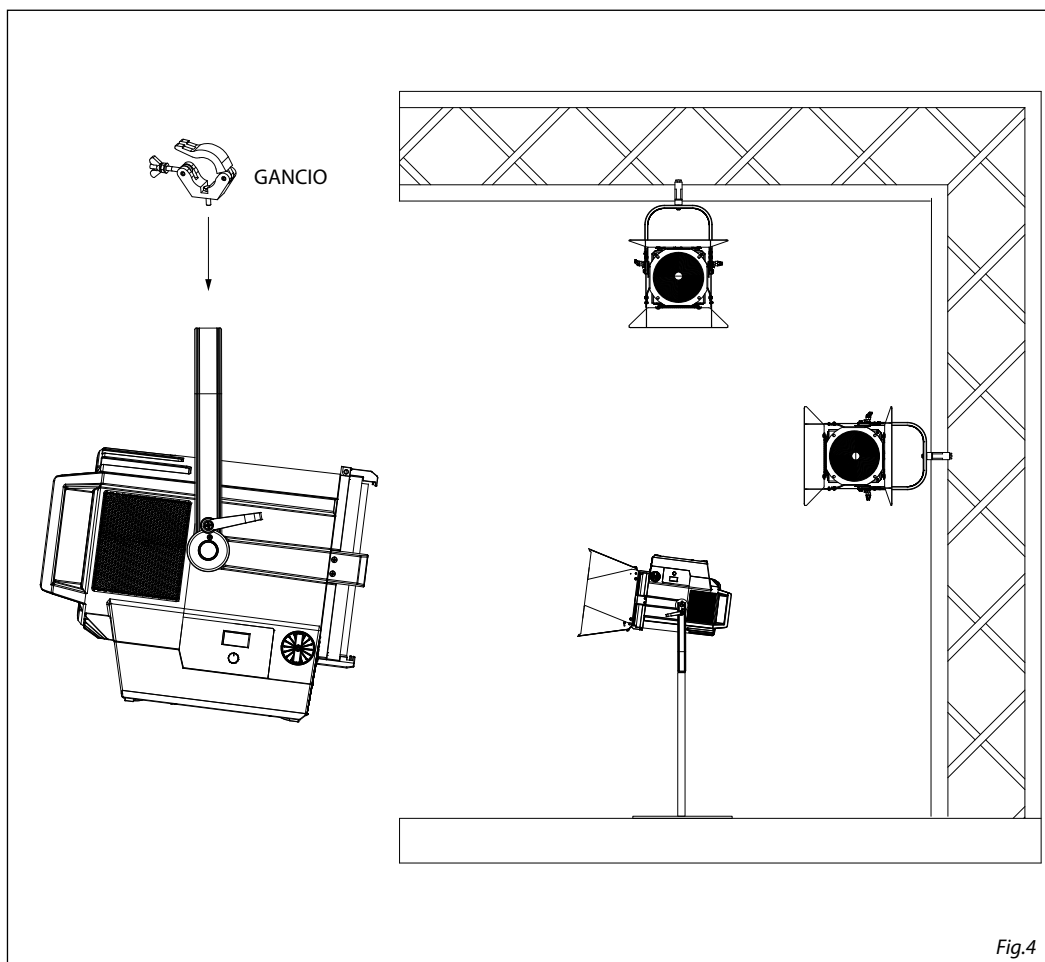


Fig.4

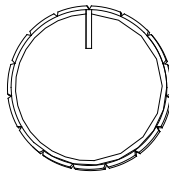
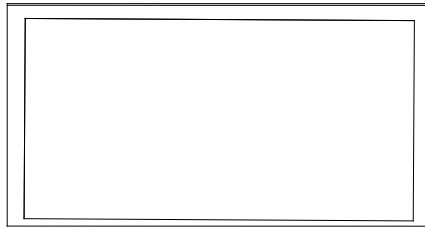
- 3 - FUNZIONI E IMPOSTAZIONI

3.1 FUNZIONAMENTO

Per accendere il ECLFR2KTU-DY, inserire la spina del cavo di alimentazione in una presa di rete (100-240V~/50-60Hz). Effettuare le regolazioni del focus e dello zoom mediante le relative manopole. Dopo l'utilizzo spegnere il dispositivo, staccare la spina dalla presa di rete. Per maggiore comodità è consigliabile collegare l'unità con una presa comandata da un interruttore.

3.2 IMPOSTAZIONE BASE

Il ECLFR2KTU-DY dispone di un display e 1 pulsante per accesso alle funzioni del pannello di controllo (fig.5).



MANOPOLA

Utilizzato per accedere al menu, per tornare a un'opzione di menu precedente, per navigare nel menu, per selezionare e memorizzare il menu corrente o per confermare il valore o l'opzione della funzione corrente all'interno di un menu

3.3 STRUTTURA MENU

MENU			
1	CONNECT	⇒ DMX Address	⇒ Value (001-512)
		DMX Mode	⇒ EASY 1CH BASIC 2CH 1 BASIC 2CH 2 BASIC 3CH STANDARD 5CH
2	SETUP	⇒ Screen	⇒ Back Light
			⇒ On 10S 20S 30S Flip Display
3	ADVANCED	⇒ Dimmer Mode	⇒ Off Dimmer 1 Dimmer 2 Dimmer 3
		Led Frequency	⇒ 600Hz 1200 Hz 2000 Hz 4000 Hz 6000Hz 25KHZ
		Fan Mode	⇒ Auto On Off Silent
		Factory Reload	⇒ No-Yes
4	INFORMATION	⇒ Fixture Hours	⇒ 0-9999
		Version	⇒ V1.0
		UID	⇒ 15D0022A****
5	STAND ALONE	⇒ Master/Slave	⇒ Master/Slave
		Effects	⇒ Effect 1
			⇒ Effect 2 Effect 3 Effect 4
		Static	⇒ Dimmer
		⇒ Strobe	

3.4 MODALITÀ DMX

- Per impostare l'indirizzo DMX, ruotare la manopola fino a quando sul display non appare **Connect**, quindi premerla per accedervi.
- Ruotare la manopola per selezionare **DMX Address**, e impostare il valore desiderato (**001-512**). Premere la manopola per confermare l'impostazione.

Per poter comandare il ECLFR2KTU-DY con un'unità di comando luce, occorre impostare l'indirizzo di start DMX per il primo canale DMX. Se, per esempio, sull'unità di comando è previsto l'indirizzo 33 per comandare la funzione del primo canale DMX, si deve impostare sul ECLFR2KTU-DY l'indirizzo di start 33. Le altre funzioni del pannello saranno assegnate automaticamente agli indirizzi successivi. Segue un esempio con indirizzo 33 di start:

3.5 CONFIGURAZIONE CANALI DMX

Il ECLFR2KTU-DY dispone di diverse configurazioni dei canali DMX a cui si può accedere dal pannello di controllo.

- Usare la manopola fino a quando sul display non appare **Connect**, quindi premerla per accedervi.
- Attraverso la manopola selezionare **DMX Mode** e successivamente la configurazione dei canali DMX che si desidera (**EASY 1CH - BASIC 2CH 1 - BASIC 2CH 2 - BASIC 3CH - STANDARD 5CH**).
- Premere la manopola per confermare.

Le tabelle a pagina 14 indicano le modalità di funzionamento e i relativi valori DMX.

3.6 COLLEGAMENTO

1. Collegare l'uscita DMX OUT dell'unità principale con l'ingresso DMX IN della prima unità secondaria servendosi di un cavo XLR a 5 poli.
2. Collegare l'uscita DMX OUT della prima unità secondaria con l'ingresso DMX IN della seconda unità secondaria ecc.

Numero canali DMX	Indirizzo di start (esempio)	Indirizzo DMX occupati	Prossimo indirizzo di start possibile per unità n°1	Prossimo indirizzo di start possibile per unità n°2	Prossimo indirizzo di start possibile per unità n°3
1	33	33	34	35	36
2	33	33-34	35	37	39
3	33	33-35	36	39	42
5	33	33 - 37	38	43	48

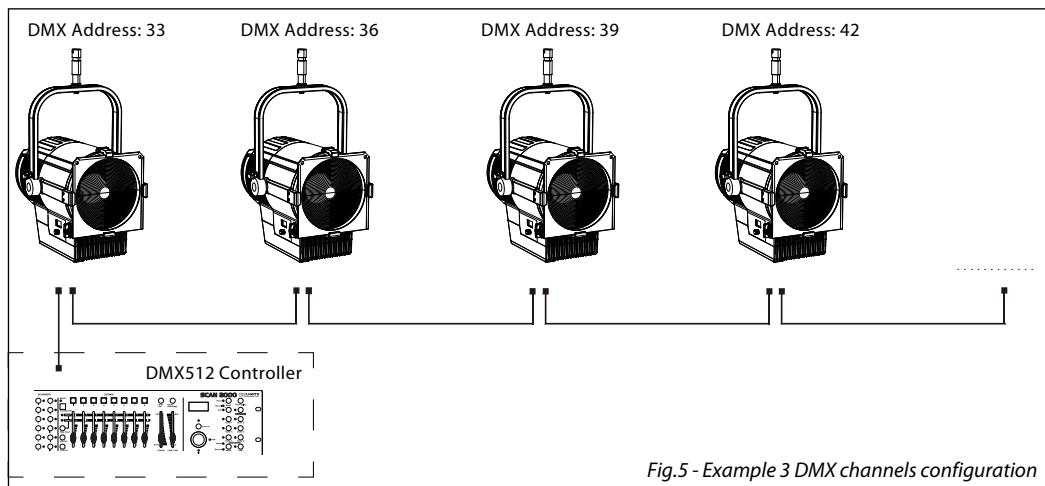


Fig.5 - Example 3 DMX channels configuration

3.7 SCREEN

È possibile modificare i seguenti parametri, relativi al display, seguendo la medesima procedura:

- Usare la manopola per accedere al menu principale.
- Ruotare la manopola per scorrere nel menu, selezionare **Set Up**, quindi premere la manopola per accedere al menu successivo.
- Ruotare la manopola per selezionare **Screen** e premerla per procedere.
- Selezionare l'opzione proposta e confermare.
 - **Backlight** - Retroilluminazione display Auto Off. Questa funzione permette di spegnere automaticamente la retroilluminazione del display dopo un determinato tempo che può essere impostato tramite i tasti direzionali. Per avere il display sempre acceso seleziona **Always On** oppure impostare un valore tra quelli indicati per far spegnere il display una volta trascorso il tempo scelto, dopo l'uscita dal menu.
 - **Flip Display** - Orientamento del display. Questa funzione permette di ruotare il display di 180° per ottenere una migliore visualizzazione del display quando l'unità è appesa a testa in giù. Selezionare **YES** per attivare la funzione oppure **NO** per disattivarla.
- Premere la manopola per confermare la scelta.
- Usare la manopola per uscire dal menu e per salvare le modifiche apportate.

3.8 ADVANCED

Puoi modificare i parametri seguendo questi passaggi:

- Usare la manopola per accedere al menu principale.
- Utilizzare la manopola per selezionare **Advanced**. Premerla per confermare.
- Ruotare la manopola per selezionare l'opzione desiderata e premerla per confermare:
 - **Dimmer Mode** - Modalità Dimmer - Regolazione del dimmer. Entra in modalità Dimmer per selezionare la specifica curva dimmer.
- **Off**: l'aumento dell'intensità della luce è lineare
- **Dimmer 1**: Il controllo dell'intensità luminosa è più fine a livelli bassi e grossolana a livelli alti.
- **Dimmer 2**: Il controllo dell'intensità luminosa è più fine a livelli alti e grossolana a livelli bassi.
- **Dimmer 3**: il controllo dell'intensità luminosa è più fine a livelli bassi e alti, e grossolana a livelli medi.
 - **LED Frequency** - Per regolare la frequenza dei LED. Selezionare la frequenza **600 Hz - 25 KHz** usando la manopola e premerla per confermare la selezione.
 - **Fan Mode** - Velocità ventole. Selezionare la velocità della ventola (**Auto, On, Off, Silent**) tramite la mano-

pola, quindi confermare tramite la medesima.

- **Factory Reload** - Per ripristinare l'unità. Selezionare **Yes** o **No** e selezionare la manopola per confermare.
- Usare la manopola per uscire dal menu e per salvare le modifiche apportate.

3.9 INFORMAZIONI SUL DISPOSITIVO

Per visualizzare tutte le informazioni sul dispositivo, procedere nel modo seguente:

- Premere la manopola per accedere al menu principale. Ruotare la manopola per selezionare **Information**, quindi premerla per accedere al menu successivo:
 - **Fixture Hours** - Per vedere il tempo di funzionamento del proiettore.
 - **Software Version** - To view the firmware version will show on the display.
 - **UID** - per visualizzare l'ID di identificazione per il controllo RDM.
- Premere la manopola per confermare la selezione e attendere che la funzione selezionata sia ripristinata.
- Usare la manopola per uscire dal menu e per salvare le modifiche apportate.

3.10 MASTER/SLAVE MODE

Questa modalità consente di collegare in linea più unità ECLFR2KTU-DY senza un controller. La prima unità sarà impostata come master e le altre funzioneranno come slave con lo stesso effetto.

- Usare la manopola fino a quando sul display non appare **Stand Alone**, quindi premerla per confermare la scelta.
 - Seleziona **Master/Slave**, quindi premere la manopola per confermare la scelta.
 - Servirsi dei connettori DMX del ECLFR2KTU-DY e di un cavo XLR per formare una catena di unità. In certe condizioni e lunghezze si consiglia di effettuare una terminazione come mostrato a pagina 15.
- NOTA: l'unità, impostata in modalità Static o Effects, sarà automaticamente Master.

3.11 MODALITA' EFFECTS

ECLFR2KTU-DY dispone di programmi automatici incorporati. Per accedervi, fare riferimento alle seguenti istruzioni:

- Per accedere alla modalità **Effects**, usare la manopola.
- Ruotare la manopola e selezionare **Stand Alone**, quindi seleziona **Effects**. Premerla per confermare.
- Utilizzare la manopola per selezionare il programma desiderato **Effect 1, Effect 2, Effect 3, Effect 4**, quindi premerla per confermare.
- Impostare il valore (**1 - 100**) e confermare tramite la manopola.

NOTA: dopo aver selezionato la modalità descritta, l'unità sarà automaticamente Master.

3.12 MODALITA' STATIC

L'unità consente di creare delle configurazioni che possono essere impostate attraverso la seguente procedura:

- Per entrare nella modalità **Static**, Usare la manopola per selezionare **Stand Alone**, quindi premerla per confermare.
- Impostare il valore strobo **Static (000 - 255)**, attraverso la manopola, quindi premerla per confermare.
- Impostare il valore dimmer **Dimmer (000 - 255)**, attraverso la manopola, quindi premerla per confermare.
- Usare la manopola per uscire dal menu e per salvare le modifiche apportate.

NOTA: dopo aver selezionato la modalità descritta, l'unità sarà automaticamente Master.

3.13 CANALI DMX

1 CHANNEL

MODE 1 Ch	FUNCTION	DMX Value
1	DIMMER 0~100%	000 - 255

2 CHANNELS 1

MODE 2 Ch	FUNCTION	DMX Value
1	DIMMER 0~100%	000 - 255
2	DIMMER FINE 0~100%	000 - 255

2 CHANNELS 2

MODE 2 Ch	FUNCTION	DMX Value
1	DIMMER 0~100%	000 - 255
2	STROBE NO Function Strobe Slow to Fast	000 - 010 011 - 255

3 CHANNELS

MODE 3 Ch	FUNCTION	DMX Value
1	DIMMER 0~100%	000 - 255
2	DIMMER FINE 0~100%	000 - 255
3	STROBE NO Function Strobe Slow to Fast	000 - 010 011 - 255

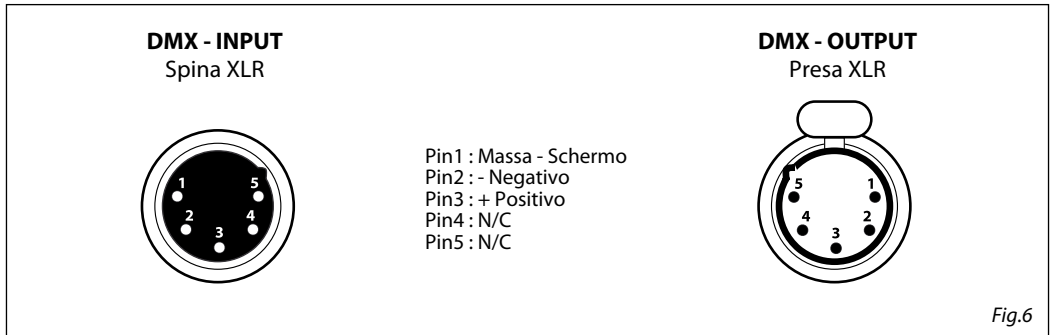
5 CHANNELS

MODE 5 Ch	FUNCTION	DMX Value
1	DIMMER 0~100%	000 - 255
2	STROBE NO Function Strobe Slow to Fast	000 - 010 011 - 255
3	AUTO PROGRAMS No Function Auto Program 1 Auto Program 2 Auto Program 3 Auto Program 4	000 - 010 011 - 070 071 - 130 131 - 190 191 - 255
4	AUTO SPEED Auto speed slow to fast	000 - 255
5	DIMMER SPEED MODE Preset dimmer speed from display menu Dimmer speed mode off Dimmer speed mode1 (fast speed) Dimmer speed mode2 (middle speed) Dimmer speed mode3 (slow speed)	000 - 051 052 - 101 102 - 152 153 - 203 204 - 255

3.14 COLLEGAMENTI DELLA LINEA DMX

La connessione DMX è realizzata con connettori standard XLR. Utilizzare cavi schermati, 2 poli ritorti, con impedenza 120Ω e bassa capacità.

Per il collegamento fare riferimento allo schema di connessione riportato di seguito:



ATTENZIONE

La parte schermata del cavo (calza) non deve mai essere collegata alla terra dell'impianto; ciò comporterebbe malfunzionamenti delle unità e dei controller.

Per passaggi lunghi può essere necessario l'inserimento di un amplificatore DMX.

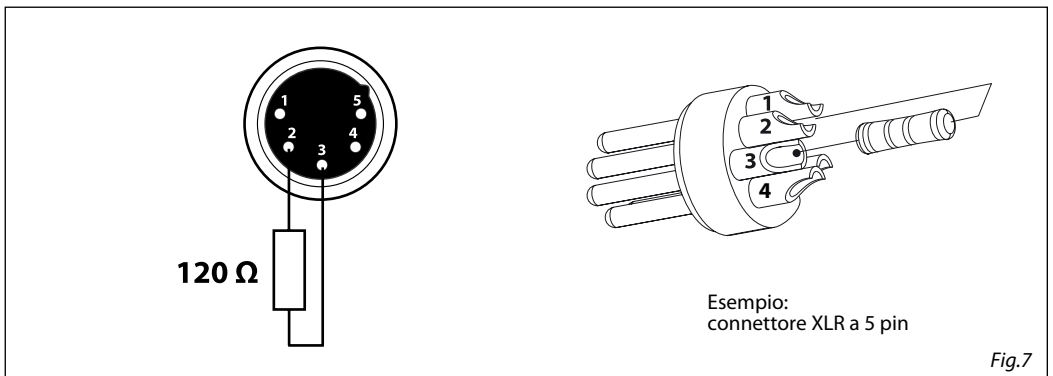
In tal caso, è sconsigliato utilizzare nei collegamenti cavo bilanciato microfonico poiché non è in grado di trasmettere in modo affidabile i dati di controllo DMX.

- Collegare l'uscita DMX del controller con l'ingresso DMX della prima unità;
- Collegare, quindi, l'uscita DMX con l'ingresso DMX della successiva unità; l'uscita di quest'ultima con l'ingresso di quella successiva e via dicendo finché tutte le unità sono collegate formando una catena.
- Per installazioni in cui il cavo di segnale deve percorrere lunghe distanze è consigliato inserire sull'ultima unità una terminazione DMX.

3.15 COSTRUZIONE DEL TERMINATORE DMX

La terminazione evita la probabilità che il segnale DMX 512, una volta raggiunta la fine della linea stessa venga riflesso indietro lungo il cavo, provocando, in certe condizioni e lunghezze, la sua sovrapposizione al segnale originale e la sua cancellazione.

La terminazione deve essere effettuata, sull'ultima unità della catena, con connettori XLR a 3/5 pin, saldando una resistenza di 120Ω (minimo 1/4W) tra i terminali 2 e 3, così come indicato in figura.



- 4 - MANUTENZIONE

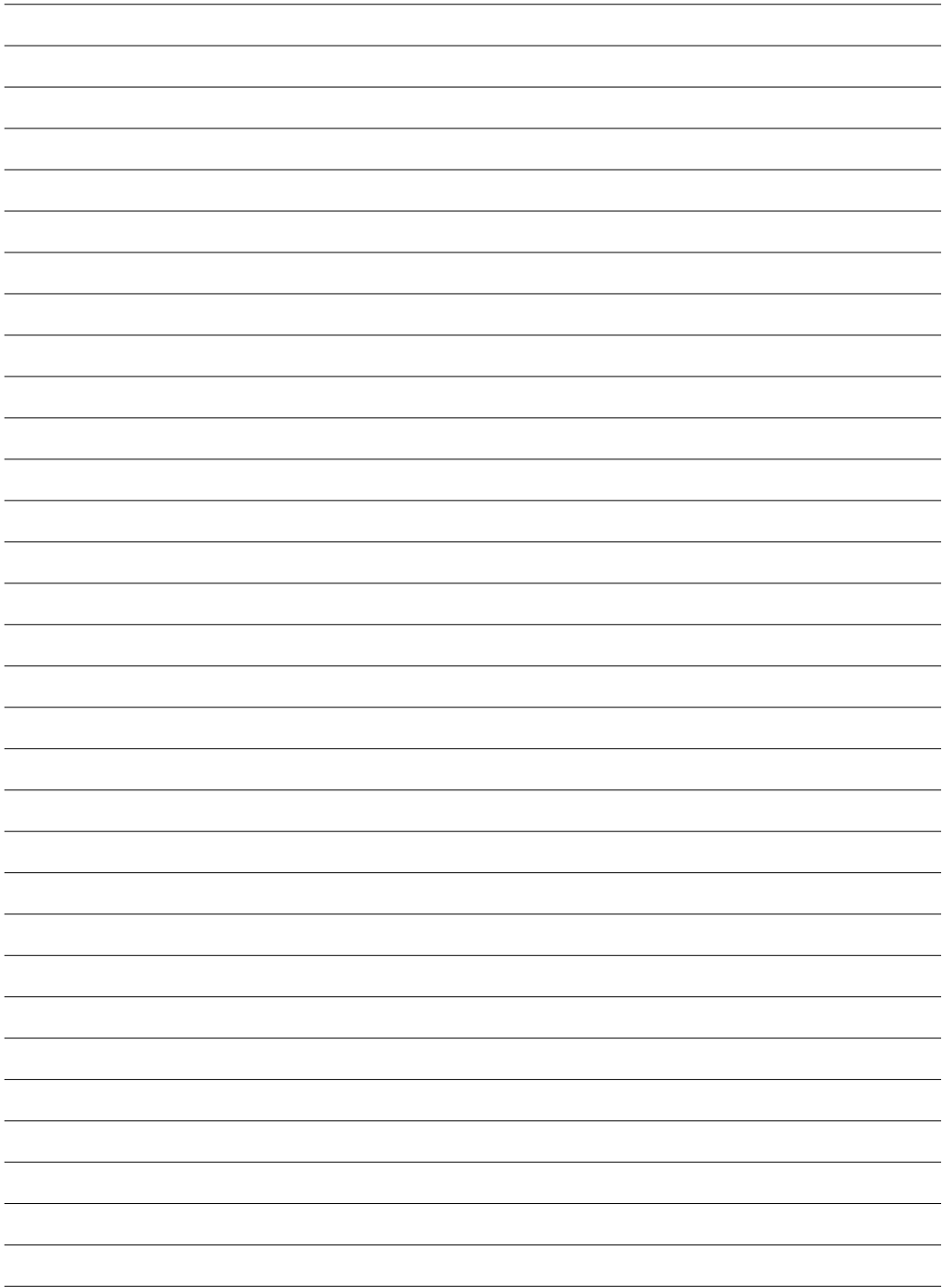
4.1 MANUTENZIONE E PULIZIA DEL SISTEMA OTTICO

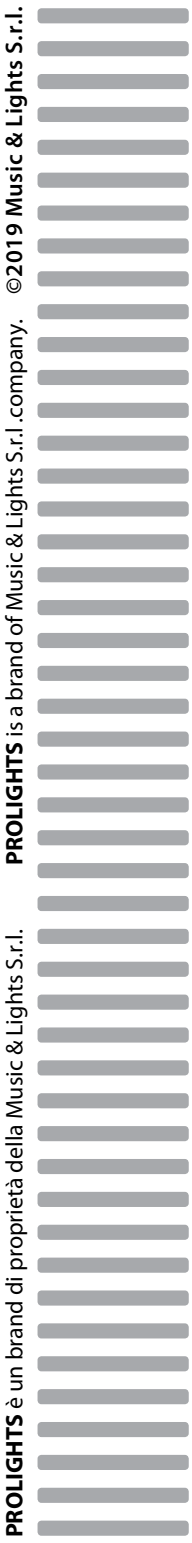
- Durante gli interventi, assicurarsi che l'area sotto il luogo di installazione sia libera da personale non qualificato.
- Spegnerne l'unità, scollegare il cavo di alimentazione ed aspettare finché l'unità non si sia raffreddata.
- Tutte le viti utilizzate per l'installazione dell'unità e le sue parti devono essere assicurate saldamente e non devono essere corrose.
- Alloggiamenti, elementi di fissaggio e di installazione (soffitto, truss, sospensioni) devono essere totalmente esenti da qualsiasi deformazione.
- I cavi di alimentazione devono essere in condizione impeccabile e devono essere sostituiti immediatamente nel momento in cui anche un piccolo problema viene rilevato.
- Si dovrebbe procedere, ad intervalli regolari, alla pulizia della parte frontale per asportare polvere, fumo e altre particelle. Solo così, la luce può essere irradiata con la luminosità massima. Per la pulizia usare un panno morbido, pulito e un detergente per vetri come si trovano in commercio. Quindi asciugare le parti delicatamente.

4.2 RISOLUZIONE DEI PROBLEMI

Anomalie	Possibili cause	Controlli e rimedi
Il proiettore non illumina	<ul style="list-style-type: none"> • Mancanza di alimentazione di rete • Dimmer impostato a 0 • LED difettoso/i 	<ul style="list-style-type: none"> • Verificare la presenza della tensione alimentazione • Incrementare i valori del canale dimmer • Sostituire scheda LED
Bassa intensità di luce generale	<ul style="list-style-type: none"> • Lenti sporche • Lente disallineata 	<ul style="list-style-type: none"> • Pulire il dispositivo regolarmente • Installare il gruppo ottico correttamente
Il proiettore non è alimentato	<ul style="list-style-type: none"> • Mancanza di alimentazione di rete • Cavo di alimentazione danneggiato 	<ul style="list-style-type: none"> • Verificare la presenza della tensione alimentazione • Controllare il cavo di alimentazione

Rivolgersi a un centro di assistenza tecnico autorizzato nel caso in cui il problema non sia riportato in tabella.





PROLIGHTS è un brand di proprietà della Music & Lights S.r.l. **PROLIGHTS** is a brand of Music & Lights S.r.l. company. ©2019 Music & Lights S.r.l.