



**Chroma-Q®**  
BRILLIANT SOLUTIONS



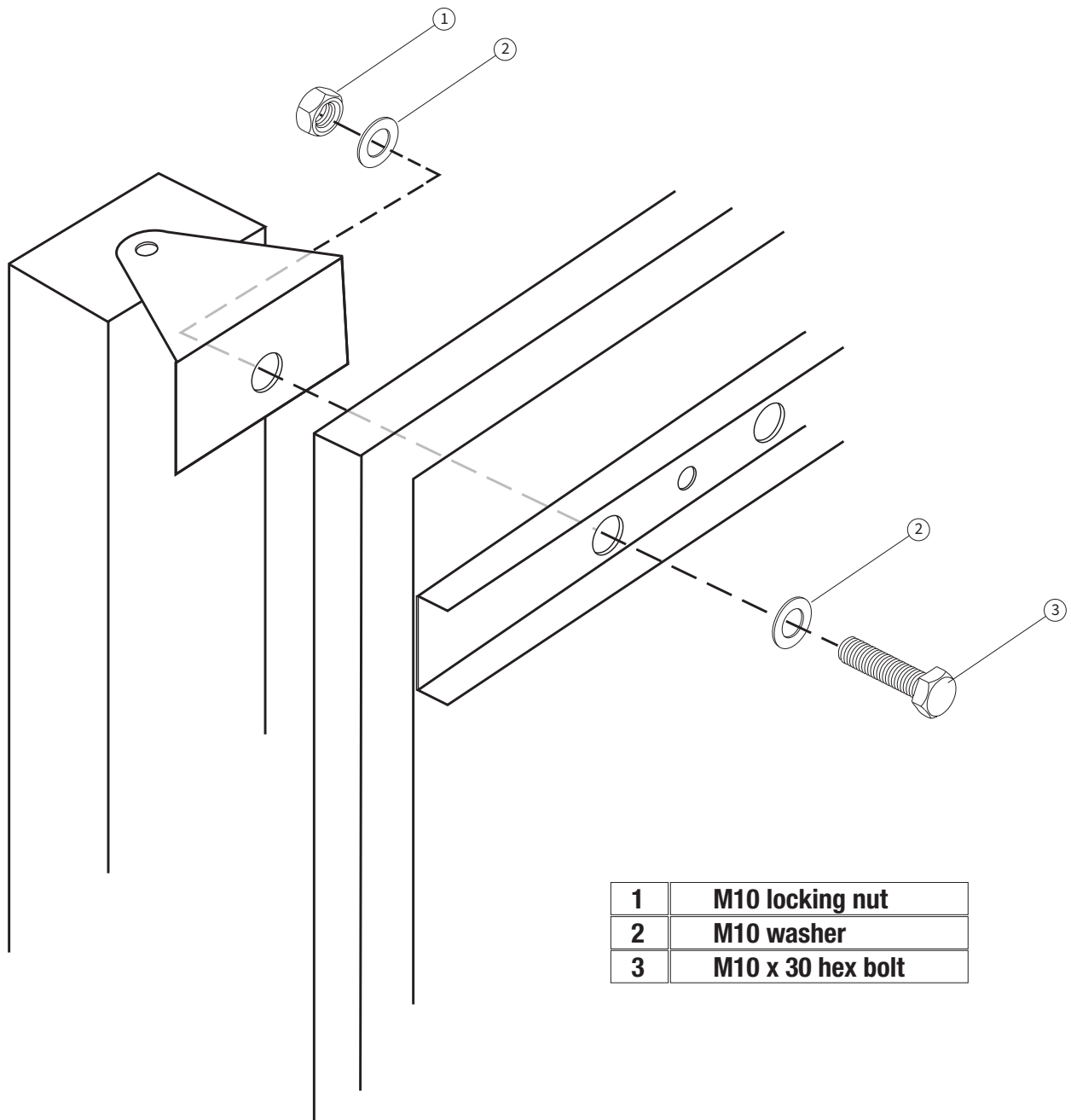
# Chroma-Q® Brute Force™

Assembly guide

[chroma-q.com](http://chroma-q.com)



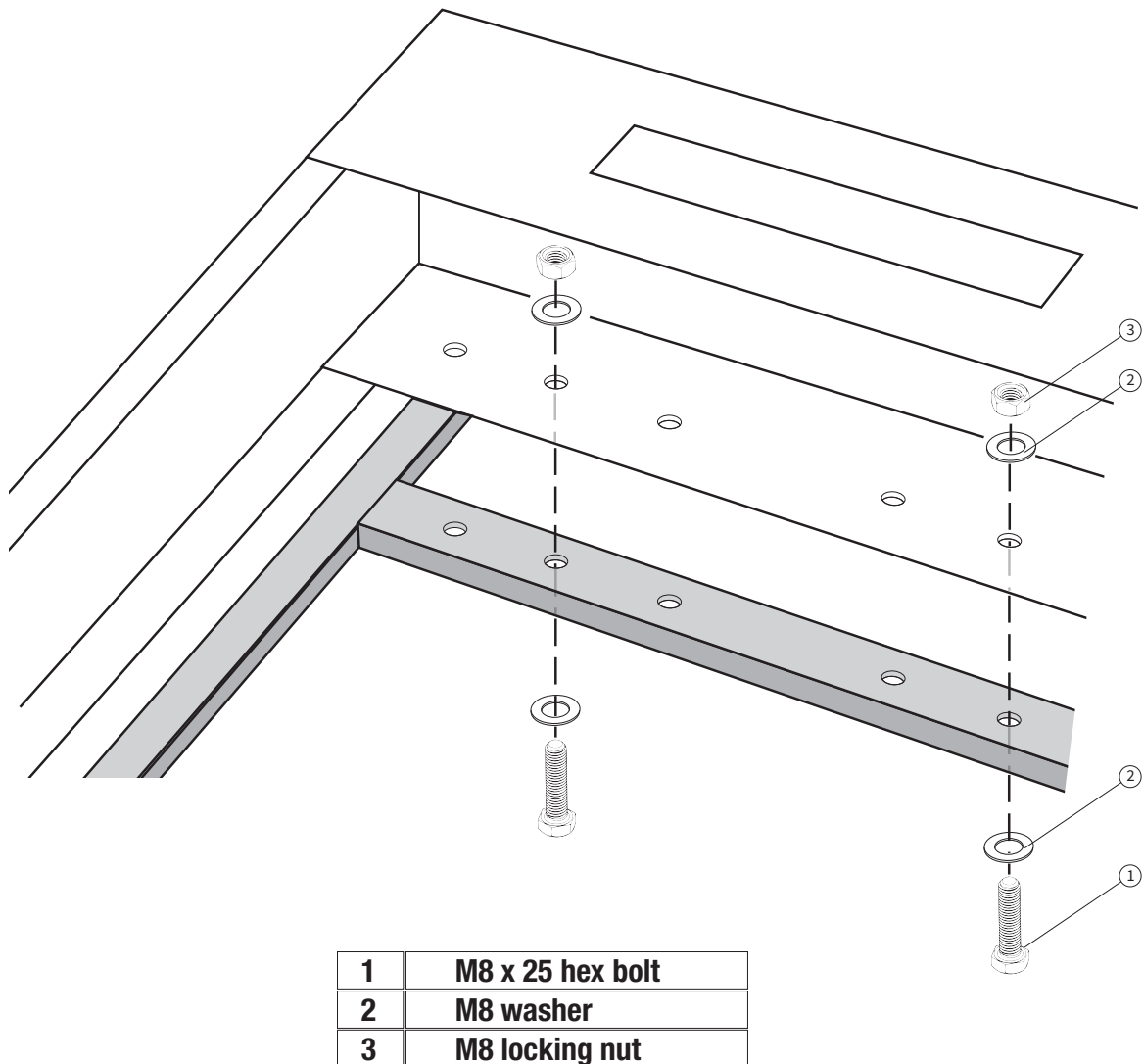
# Lamp Fitting



1	M10 locking nut
2	M10 washer
3	M10 x 30 hex bolt

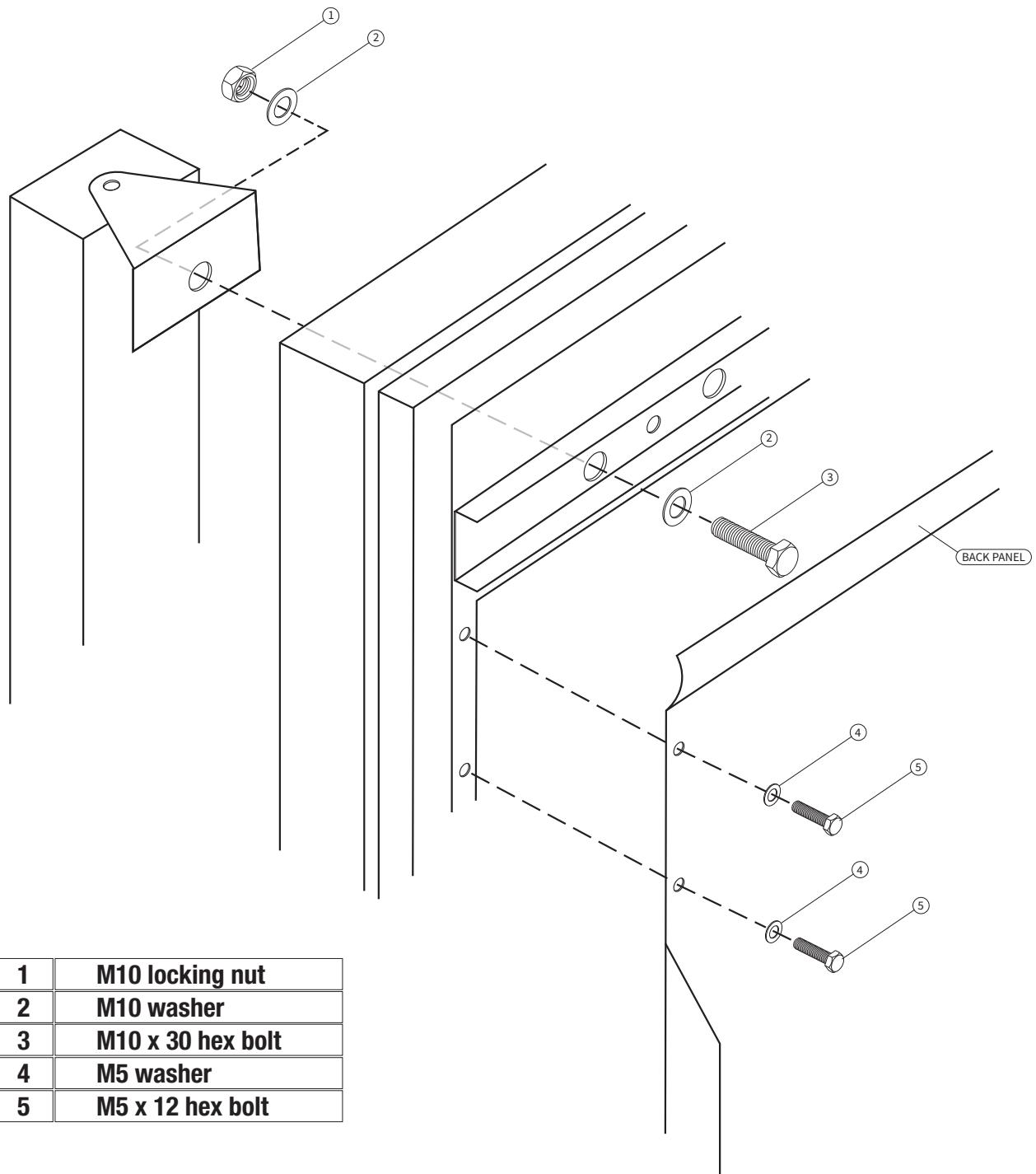
- Use M10 x 30 stainless steel hex bolts, washers and locking nuts provided.
- For ease of assembly, fit top bolts & centre units first.

# Rain Protection Housing Fitting



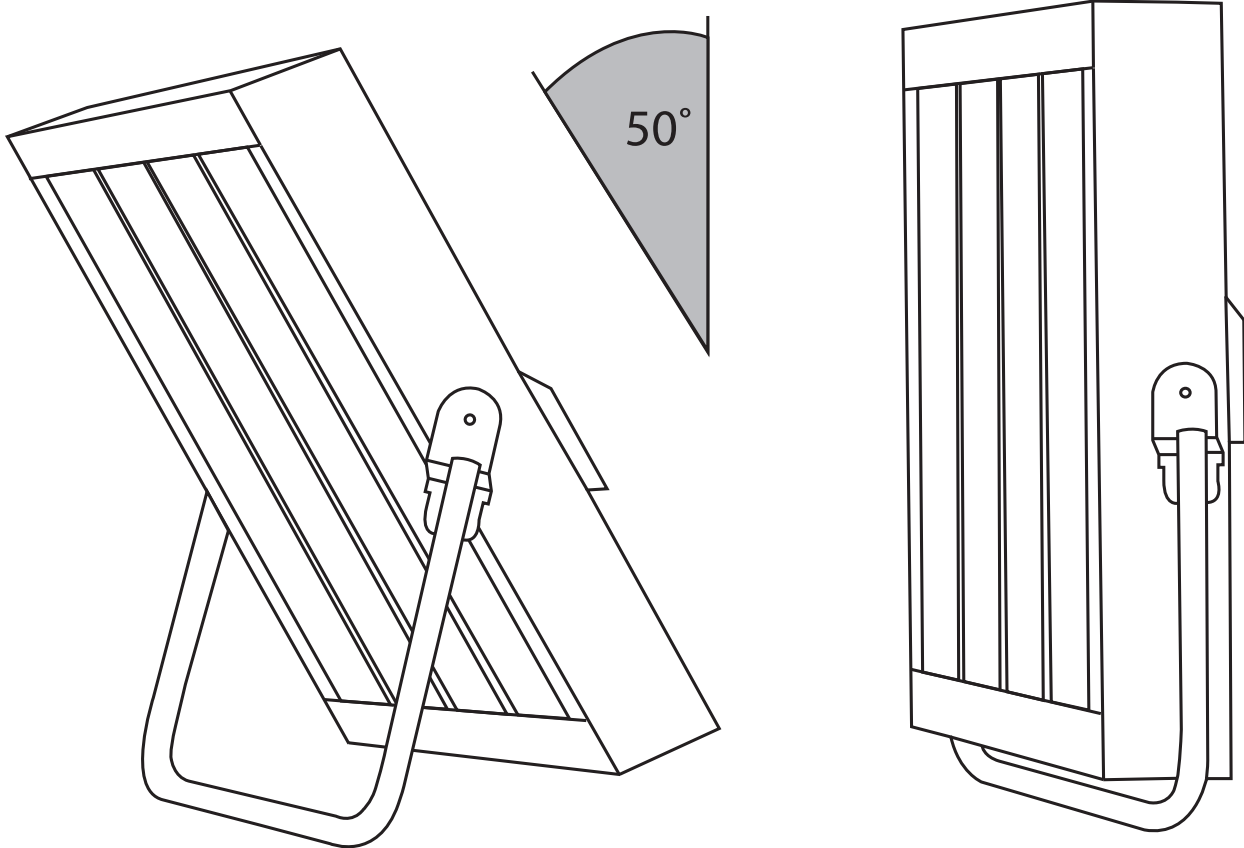
- Use M8 x 25 stainless steel bolts, washers and locking nuts provided.
- Fit housing before fitting lamp units.
- Ensure foam seals are in good condition.

# Lamp Fitting When Using Rain Protection Housing



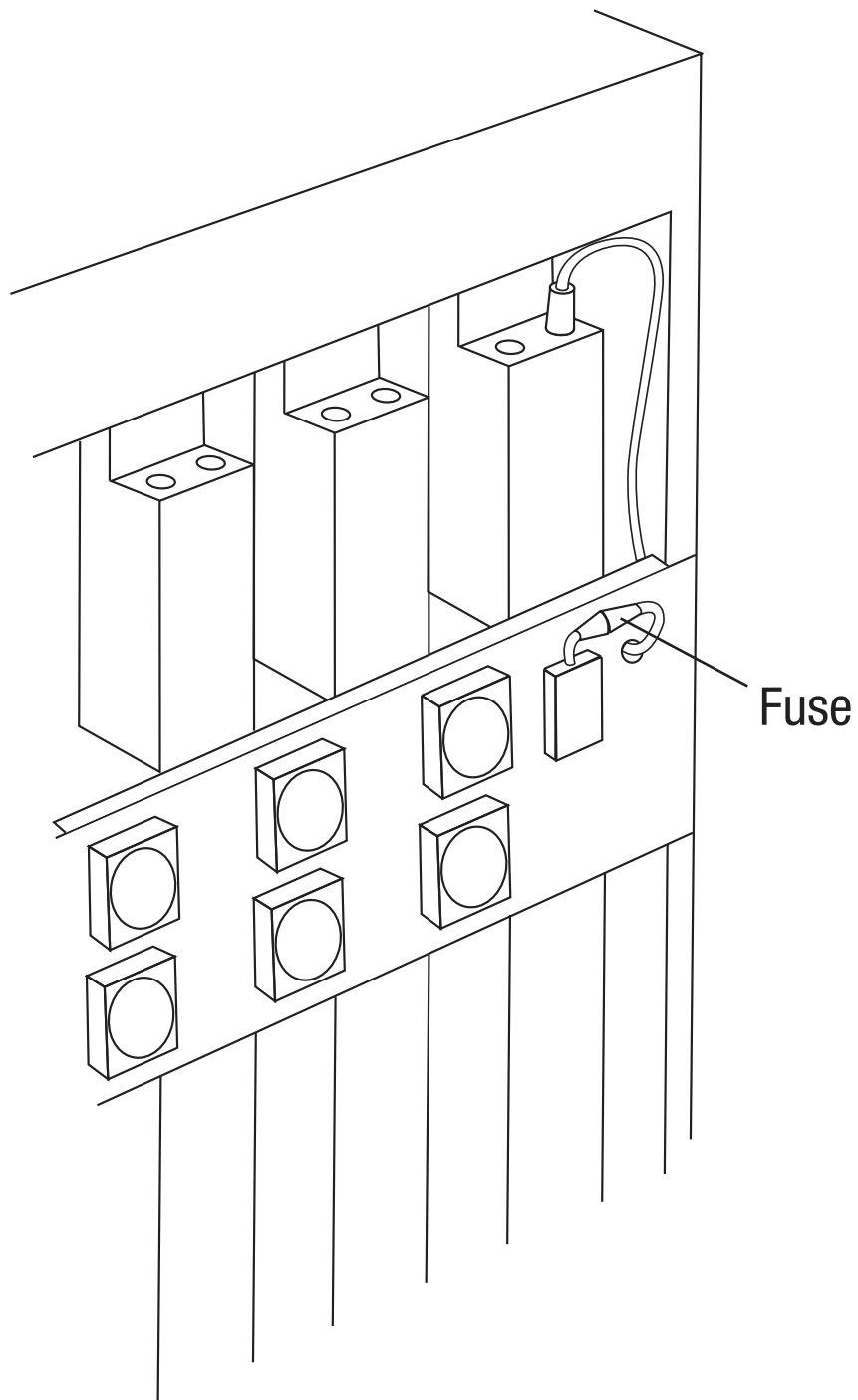
- **Disconnect mains supply.**
- **Remove back panel.**
- **Use M10 x 30 stainless steel hex bolts, washers and locking nuts provided.**
- **For ease of assembly, fit top bolts & centre units first.**

# Rain Protection Housing Effective Tilt Range



- **Unit must not exceed 50° forward tilt.**
- **Ensure vinyl covers are fitted securely.**
- **In severe conditions take additional precautions.**
- **Be aware of heat gain in direct sunlight when vinyl covers are fitted.**
- **If not required remove covers for additional cooling.**

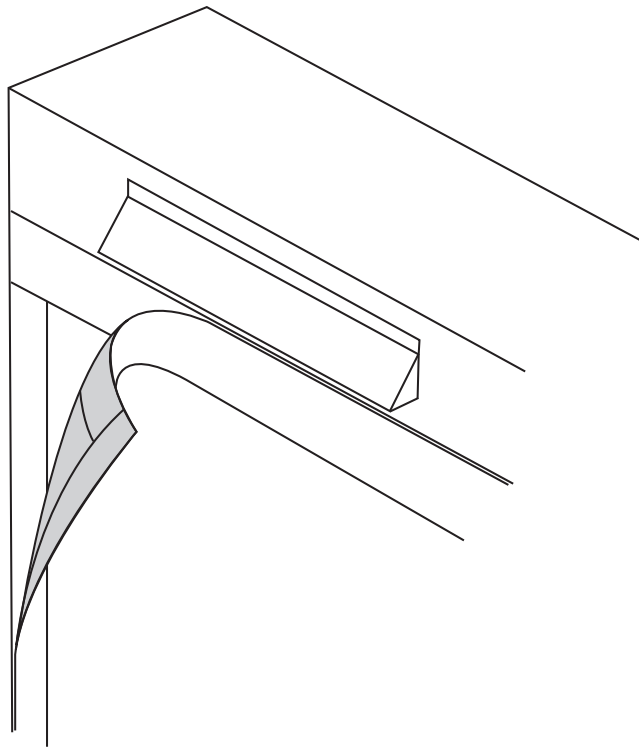
# Fan Unit - Connection



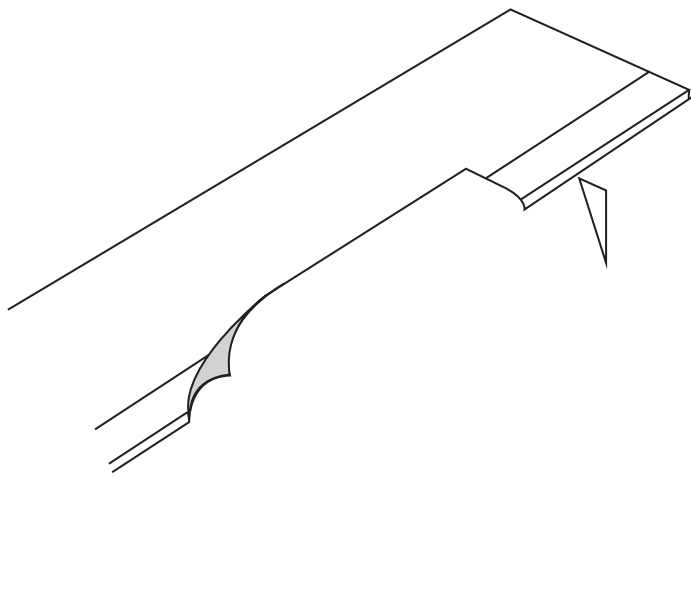
- **Disconnect mains supply before removing covers.**
- **Remove back panel.**
- **Make fan unit connection to final lamp unit.**
- **Fan unit protection fuse 3A(T) 6.3x32.**
- **Replace back panel.**

# Vinyl Covers

Front



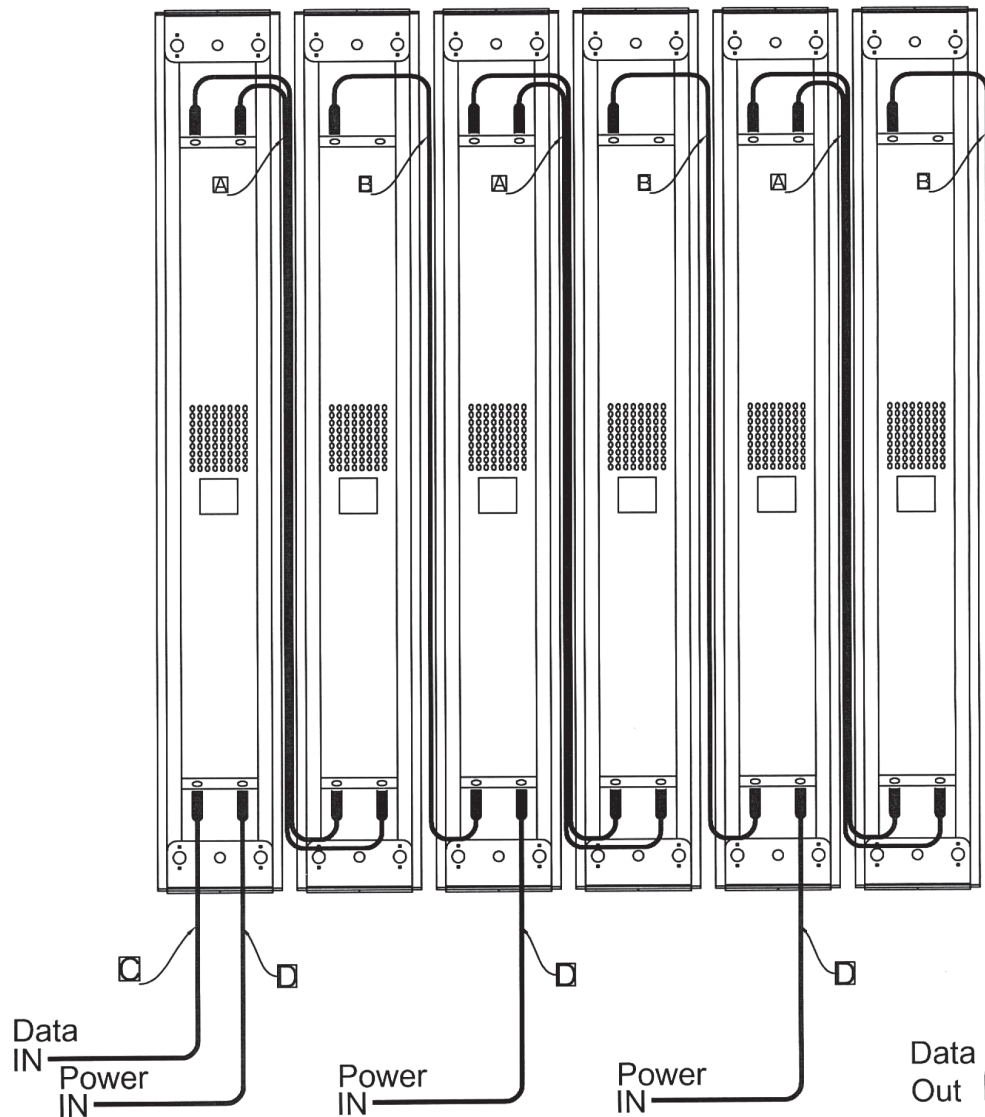
Back



- **Ensure vinyl cover is fitted correctly to create a seal with the rain protection housing.**
- **If not required remove covers for additional cooling.**



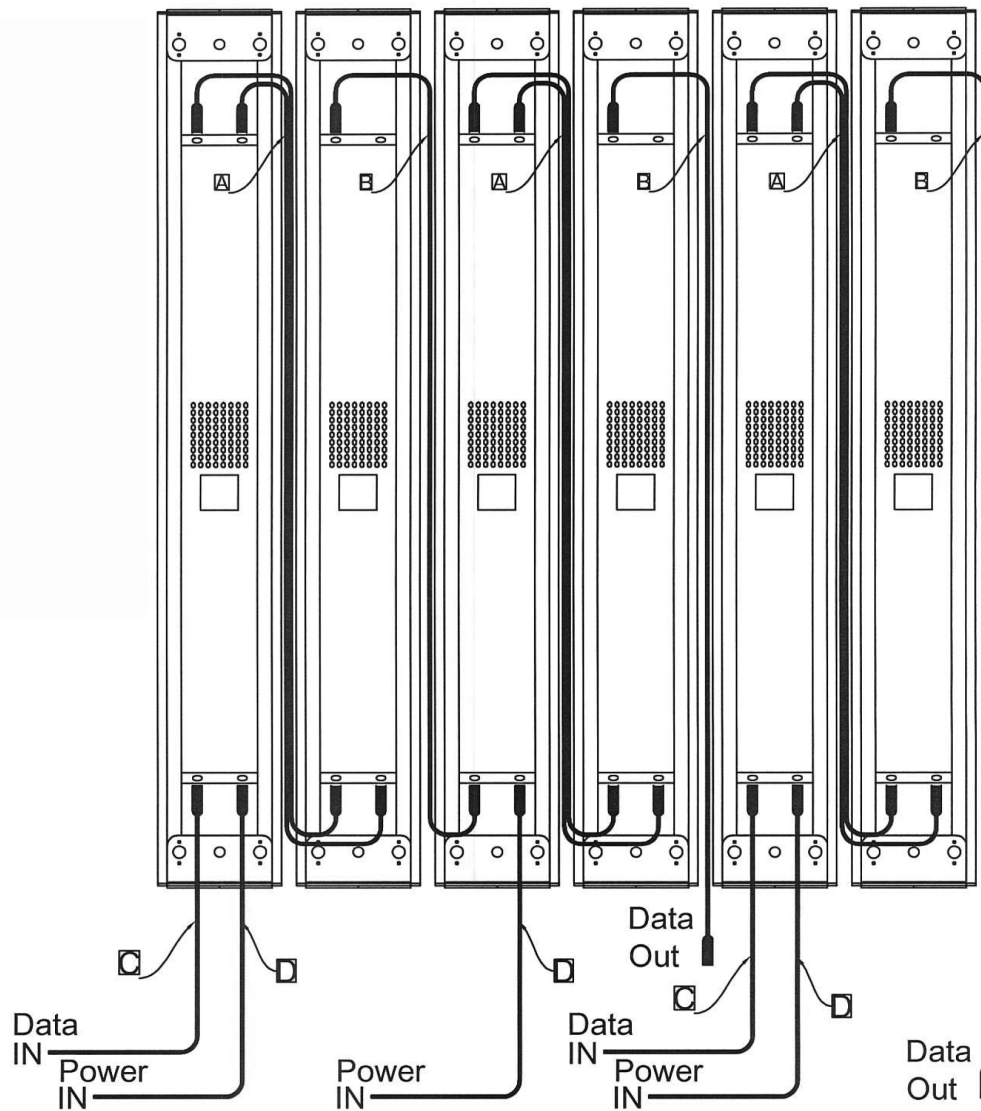
# Brute Force 6 Connection Options



**Three Mains Feed  
(115 V)  
RGBW X1  
(384 Channels)**

- A** **3 x hybrid link cable 1.6m**  
MULPCTM/X5SM-PCTF/X5SFDHD-1.6
- B** **3 x DMX link cable 1.6m**  
MUCX5SD1-1.6
- C** **1 x DMX in cable**  
5pin X.L.R **Customer Specified**
- D** **3 x Power in Cable**  
Neutrik True 1 TOP **Customer Specified**

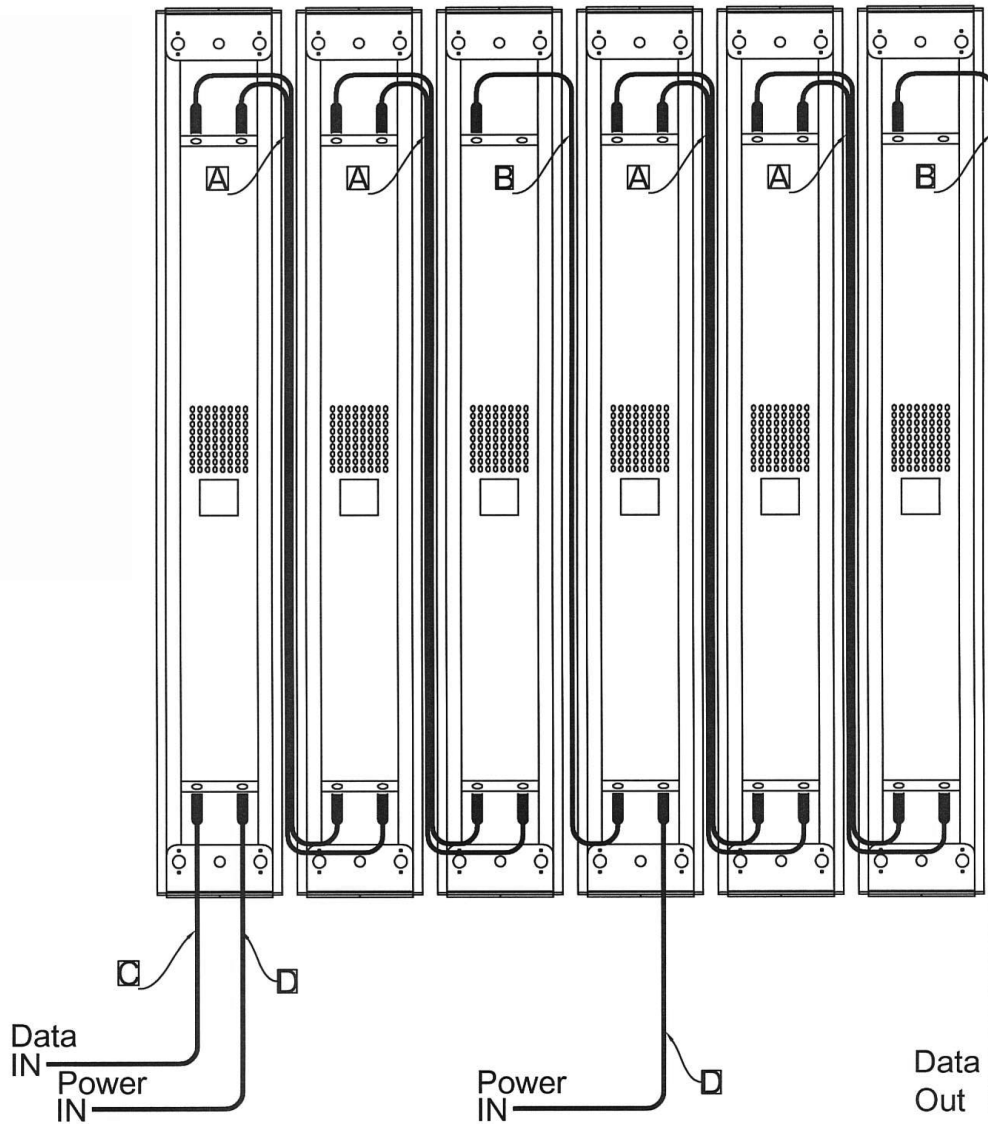
# Brute Force 6 Connection Options



**Three Mains Feed  
(115 V)  
CineQ 8bit X1  
(512+256 Channels)**

- A** **3 x hybrid link cable 1.6m**  
MULPCTM/X5SM-PCTF/X5SFDHD-1.6
- B** **3 x DMX link cable 1.6m**  
MUCX5SD1-1.6
- C** **2 x DMX in cable**  
5pin X.L.R **Customer Specified**
- D** **3 x Power in Cable**  
Neutrik True 1 TOP **Customer Specified**

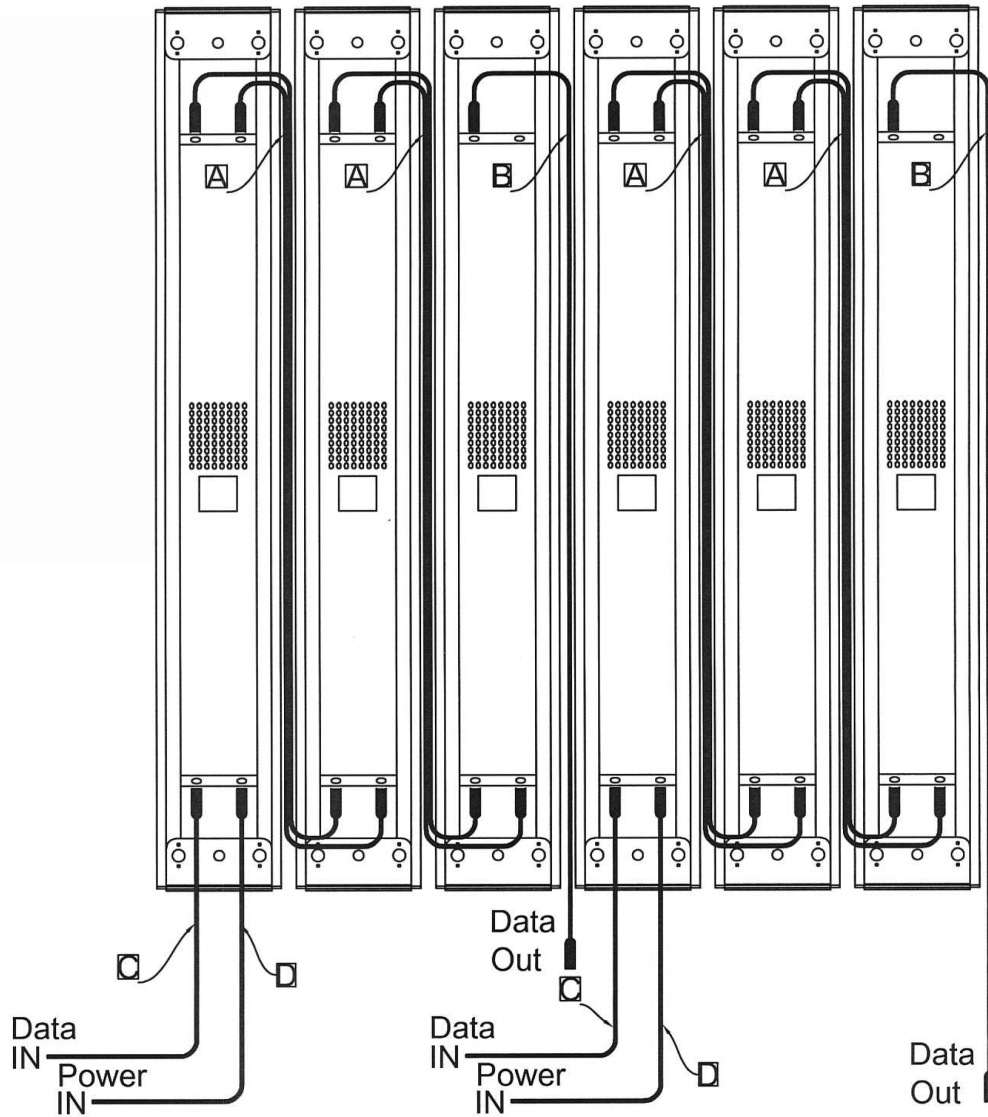
# Brute Force 6 Connection Options



**Two Mains Feed  
(230 V)  
RGBW X1  
(384 Channels)**

- A 4 x Hybrid Link Cable 1.6m**  
MULPCTM/X5SM-PCTF/X5SFDHD-1.6
- B 2 x DMX Link Cable 1.6m**  
MUCX5SD1-1.6
- C 1 x DMX in cable**  
5pin X.L.R **Customer Specified**
- D 2 x Power in Cable**  
Neutrik True 1 TOP **Customer Specified**

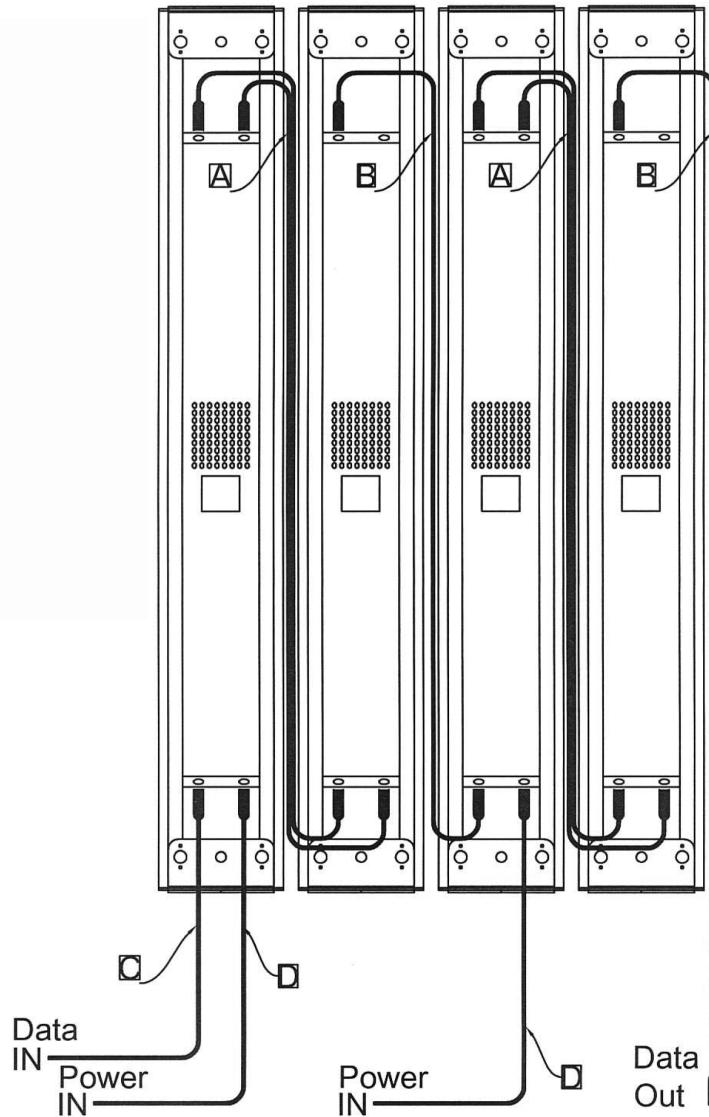
# Brute Force 6 Connection Options



**Two Mains Feed  
(230 V)  
CineQ 8bit X1  
(384+384 Channels)**

- A 4 x Hybrid Link Cable 1.6m**  
MULPCTM/X5SM-PCTF/X5SFDHD-1.6
- B 2 x DMX Link Cable 1.6m**  
MUCX5SD1-1.6
- C 2 x DMX in cable**  
5pin X.L.R **Customer Specified**
- D 2 x Power in Cable**  
Neutrik True 1 TOP **Customer Specified**

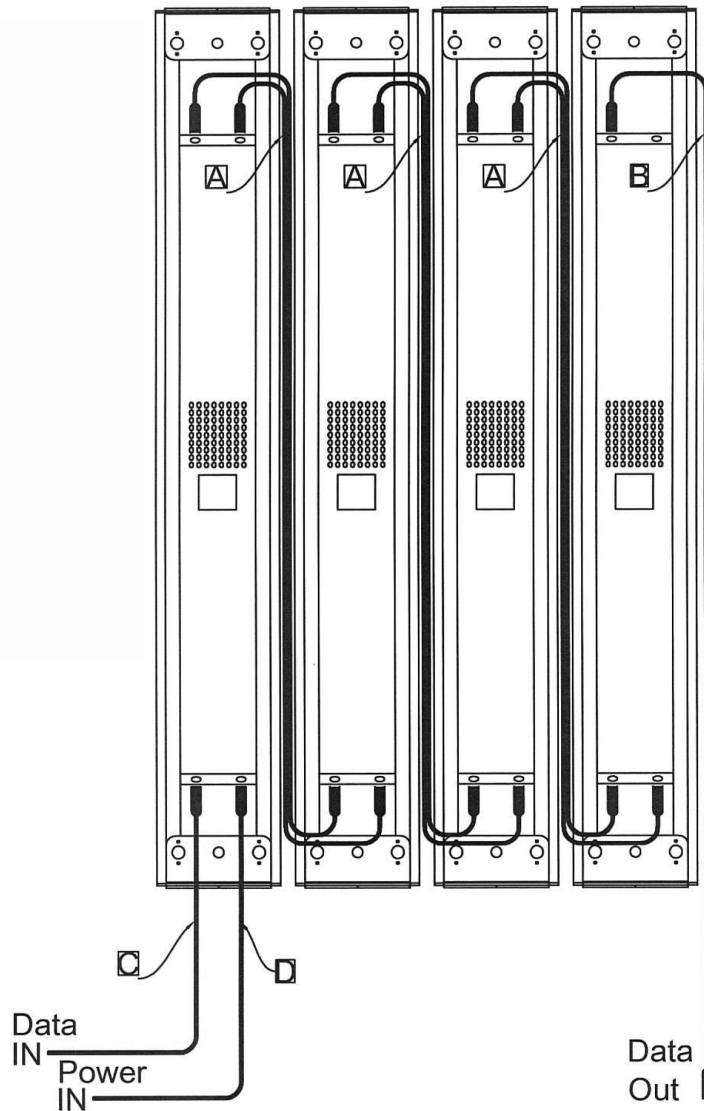
# Brute Force 4 Connection Options



**Two Mains Feed  
(115 V)  
CineQ 8bit X1  
(512 Channels)  
RGBW X1  
(256 Channels)**

- A 2 x Hybrid Link Cable 1.6m**  
MULPCTM/X5SM-PCTF/X5SFDHD-1.6
- B 2 x DMX Link Cable 1.6m**  
MUCX5SD1-1.6
- C 1 x DMX in cable**  
5pin X.L.R **Customer Specified**
- D 2 x Power in Cable**  
Neutrik True 1 TOP **Customer Specified**

# Brute Force 4 Connection Options



**One Mains Feed  
(230 V)  
CineQ 8bit X1  
(512 Channels)**

- A 3 x Hybrid Link Cable 1.6m**  
MULPCTM/X5SM-PCTF/X5SFDHD-1.6
- B 1 x DMX Link Cable 1.6m**  
MUCX5SD1-1.6
- C 1 x DMX in cable**  
5pin X.L.R **Customer Specified**
- D 1 x Power in Cable**  
Neutrik True 1 TOP **Customer Specified**





**Chroma-Q**<sup>®</sup>  
BRILLIANT SOLUTIONS

To arrange your personal demonstration or for more  
information, contact us at:

**[sales@chroma-q.com](mailto:sales@chroma-q.com)**

or visit **[www.chroma-q.com/bf](http://www.chroma-q.com/bf)**

Chroma-Q and all associated product names are recognised trademarks, for more information visit [www.chroma-q.com/trademarks](http://www.chroma-q.com/trademarks). The rights and ownership of all trademarks are recognised. Whilst every effort has been made to ensure that the information is correct, Chroma-Q accepts no liability for errors or omissions. Technical specifications and data are provided for guidance only. Because we constantly aim to improve our products, we reserve the right to amend or alter at any time and without prior notice, the specifications of any product. Consult the website for current models and specifications. E&OE.