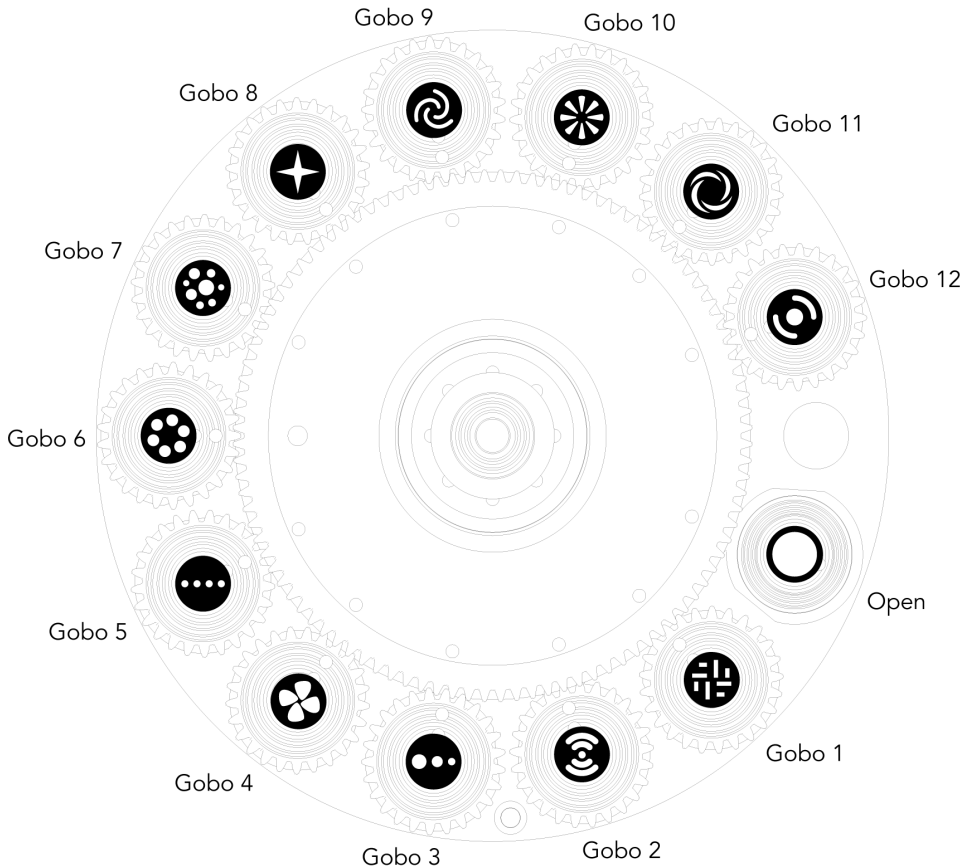
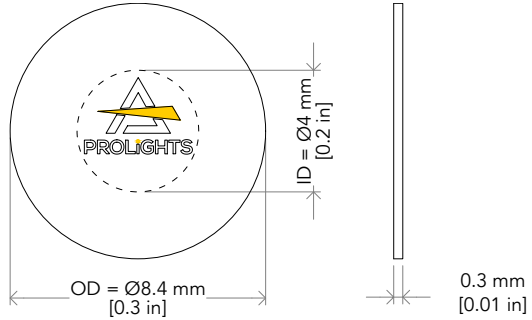


# ROTATING GOBOS WHEEL

Gobo dimensions:

- $\varnothing$  external (OD)= 8,4 mm
- $\varnothing$  of image (ID)= 4,0 mm
- Thickness= 0,3 mm
- Aluminum material



**ATTENTION!** Load with mirror surface toward the light source.