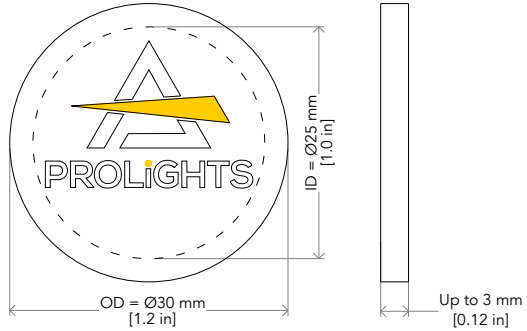


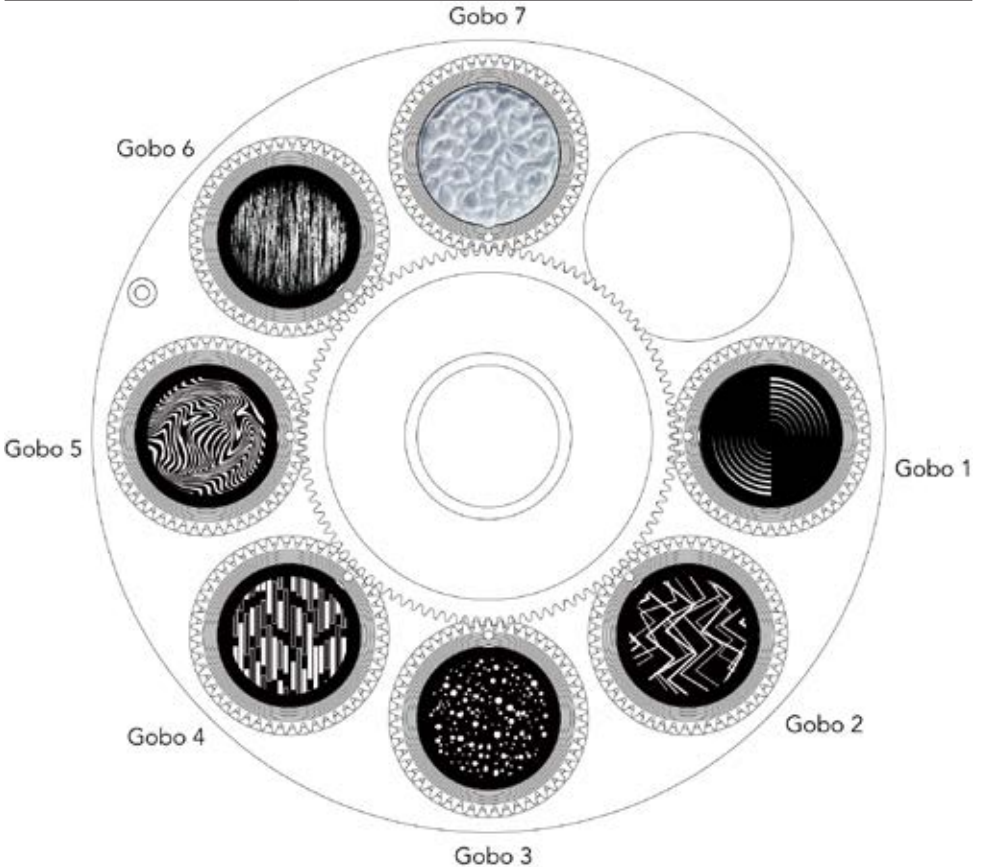
ROTATING GOBOS WHEEL

Gobo dimensions:

- \varnothing external (OD)= 30,0 mm
- \varnothing of image (ID)= 25,0 mm
- Thickness= up to 3 mm



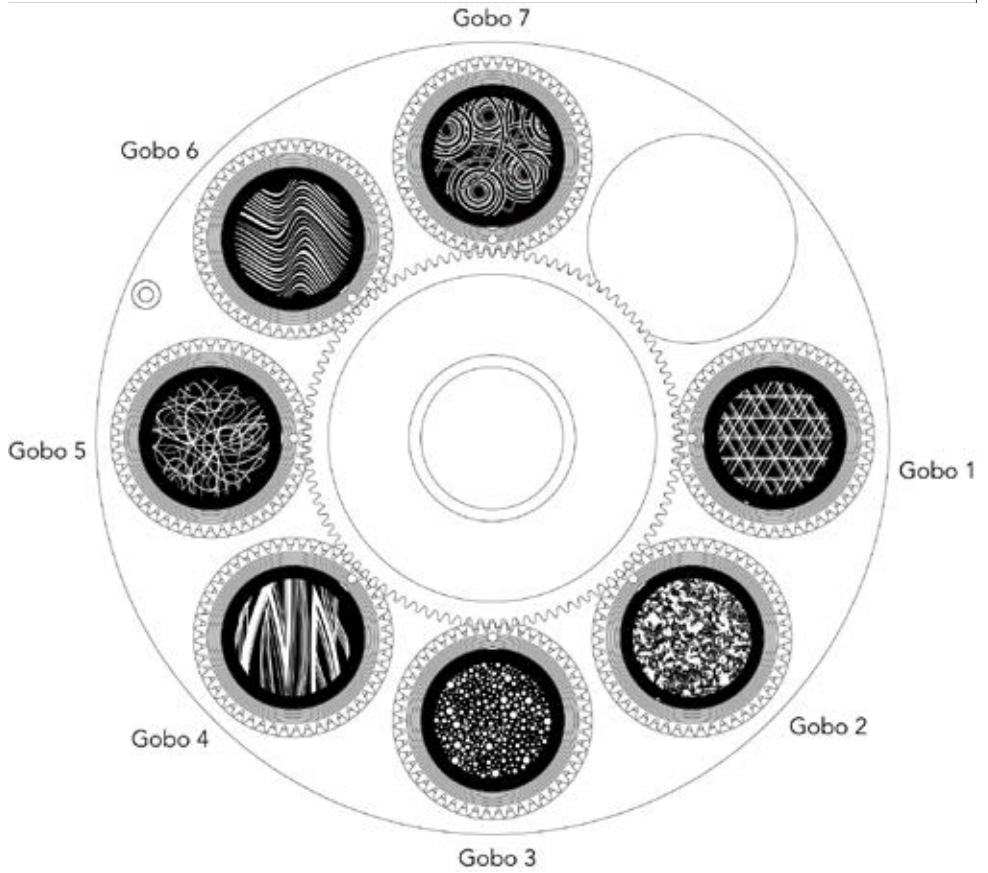
Gobo wheel 1 - Bottom (near the animation wheel)



ATTENTION! Load with mirror surface toward the light source.

Fig. 10

Gobo wheel 2 - Top (near the framing system)



ATTENTION! Load with mirror surface toward the light source.

Fig. 11
