



# Gallery WashDatVW

Compact LED wall wash with 60W LED  
VariableWhite



---

## USER MANUAL

---

## ***Thank you for choosing PROLIGHTS***

Please note that every PROLIGHTS product has been designed in Italy to meet quality and performance requirements for professionals and designed and manufactured for the use and application as shown in this document.

Any other use, if not expressly indicated, could compromise the good condition/operation of the product and/or be a source of danger.

This product is meant for professional use. Therefore, commercial use of this equipment is subject to the respectively applicable national accident prevention rules and regulations.

Features, specifications and appearance are subject to change without notice. Music & Lights S.r.l. and all affiliated companies disclaim liability for any injury, damage, direct or indirect loss, consequential or economic loss or any other loss occasioned by the use of, inability to use or reliance on the information contained in this document.

Product user manual can be downloaded from the website [www.prolights.it](http://www.prolights.it), or can be inquired to the official PROLIGHTS distributors of your territory ([https://www.prolights.it/sales\\_network.html](https://www.prolights.it/sales_network.html)).

Scanning the below **QR Code**, you will access the download area of the product page, where you can find a broad set of always updated technical documentation: specifications, user manual, technical drawings, photometrics, personalities, fixture firmware updates.



**Visit the download area  
of the product page**



The PROLIGHTS Logo, PROLIGHTS names and all other trademark in this document pertaining to PROLIGHTS services or PROLIGHTS product are trademarks OWNED or licensed by Music & Lights S.r.l., its affiliates, and subsidiaries. PROLIGHTS is a registered trademark by Music & Lights S.r.l. All right reserved. Music & Lights – Via A. Olivetti, snc - 04026 - Minturno (LT) ITALY

# INDEX

<b>SAFETY INFORMATION</b>	<b>02</b>
<b>1 - PACKAGING</b>	<b>05</b>
PACKAGE CONTENT .....	05
OPTIONAL ACCESSORIES .....	05
<b>2 - TECHNICAL DRAWING</b>	<b>05</b>
<b>3 - INSTALLATION</b>	<b>06</b>
MOUNTING .....	06
<b>4 - CONNECTION TO THE MAINS SUPPLY</b>	<b>07</b>
TRACK INSTALLATION .....	07
<b>5 - START UP</b>	<b>09</b>
CONNECT AND DISCONNECT POWER FROM THE PRODUCT .....	09
<b>6 - PRODUCT OVERVIEW</b>	<b>09</b>
<b>7 - CONNECTION TO A WIRELESS DMX TRANSMITTER</b>	<b>10</b>
BUTTON FOR WIRELESS OPERATIONS FUNCTION .....	10
WIRELESS LED STATUS .....	10
<b>8 - RDM FUNCTIONS</b>	<b>11</b>
MASTER/SLAVE .....	14
ENCODER BEHAVIOUR WHEN DMX FAULT@STAND ALONE .....	14
DIMMER CURVES .....	15
DIMMER SPEEDS .....	16
<b>9 - ERROR MESSAGES</b>	<b>16</b>
<b>10 - DMX CHARTS</b>	<b>17</b>
DMX CHANNEL DETAILS .....	18
<b>11 - ACCESSORIES INSTALLATION</b>	<b>21</b>
SNOOT (CODE GWASHDATHSNOOT B/W - OPTIONAL) .....	21
BARN DOOR (CODE GWASHDATBD B/W - OPTIONAL) .....	22
FILTERS (CODE GWASHDATFILT30 - INCLUDED; GWASHDATFILT80 - OPTIONAL) ...	23
WALL MOUNTING BRACKET (CODE GWASHDATWMBRK B/W - OPTIONAL) .....	24
CEILING KIT ADAPTER (CODE GWASHDATCEILKIT B/W - OPTIONAL) .....	25
<b>12 - MAINTENANCE</b>	<b>26</b>
MAINTENANCE AND CLEANING THE PRODUCT .....	26
VISUAL CHECK OF PRODUCT HOUSING .....	26
TROUBLESHOOTING .....	27

## SAFETY INFORMATION



### WARNING!

- See <https://www.prolights.it/product/GALLERYWASHDATVW#download> for installation instructions.
- Please read carefully the instruction reported in this section before installing, powering, operating or servicing the product and observe the indications also for its future handling.



**This unit is not for household and residential use, only professional applications.**



### Connection to mains supply

- The Connection to the mains supply must be carried out by a qualified electrical installer.
- Use only AC supplies 100-240V 50-60 Hz, the fixture must be electrically connected to ground (earth).
- Select the cable cross section in according with the maximum current draw of the product and the possible number of products connected at the same power line.
- The AC mains power distribution circuit must be equipped with magnetic+residual current circuit breaker protection.
- Do not connect it to a dimmer system; doing so may damage the product.
- The product has XLR sockets for DMX input and output.
- Connection of the control signal: DMX LINE.
- Notice: this control circuit is not isolated.
- Cumulative leakage current of less than 3.5mA on the control circuit.



### Protection and Warning against electrical shock

- Do not remove any cover from the product, always disconnect the product from AC power before servicing.
- Ensure that the fixture is electrically connected to ground (earth). And use only a source of AC power that complies with local building and electrical codes and has both overload and ground-fault (earth-fault) protection.
- Before using the fixture, check that all power distribution equipment and cables are in perfect condition and rated for the current requirements of all connected devices.
- Isolate the fixture from power immediately if the power plug or any seal, cover, cable, or other components are damaged, defective, deformed or showing signs of overheating.
- Do not reapply power until repairs have been completed.
- Refer any service operation not described in this manual to PROLIGHTS Service team or an authorized PROLIGHTS service center.



### Installation

- Make sure that all visible parts of the product are in good visible condition before its use or installation.
- Make sure the point of anchorage is stable before positioning the projector.
- When suspending the fixture above ground level, secure it against failure of primary attachments by attaching a safety cable that is approved as a safety attachment for the weight of the fixture to the attachment point on the main frame of the product. In case the safety cable, enter in action, it needs to be replaced with a new one.
- Install the product only in well ventilated places.
- For non temporary installations, ensure that the fixture is securely fastened to a load-bearing surface with suitable corrosionresistant hardware.
- For a temporary installation with clamps, ensure that the quarter-turn fastener and/or screws are turned fully, and secured with a suitable safety cable.



### Minimum distance of illuminated objects

- The projector needs to be positioned so that the objects hit by the beam of light are at least 0.5 meters (1.64 ft) from the lens of the projector.

**T<sub>a</sub> 45°C**

### Max operating ambient temperature (T<sub>a</sub>)

- Do not operate the fixture if the ambient temperature (T<sub>a</sub>) exceeds 45 °C (113 °F).

**T<sub>a</sub> -10°C**

### Minimum operating ambient temperature (T<sub>a</sub>)

- Do not operate the fixture if the ambient temperature (T<sub>a</sub>) is below -10 °C (14 °F).



### Protection from burns and fire

- The exterior of the fixture becomes hot during use. Avoid contact by persons and materials.
- Ensure that there is free and unobstructed airflow around the fixture.
- Keep flammable materials well away from the fixture
- Do not expose the front glass to sunlight or any other strong light source from any angle. Lenses can focus the sun's rays inside the fixture, creating a potential fire hazard.
- Do not attempt to bypass thermostatic switches or fuses.



### Indoor use

- This product is designed for indoor and dry environments.
- Do not use in wet location and do not expose the fixture to rain or moisture.
- Never use the fixture in places subject to vibrations or bumps.
- Make certain that no inflammable liquids, water or metal objects enter the fixture.
- Excessive dust, smoke fluid, and particle build up degrades performance, causes overheating and will damage the fixture.
- Damages caused by inadequate cleaning or maintenance are not covered by the product warranty.

**T<sub>c</sub> 70°C**

### Temperature of the external surface

- The surface of the fixture can reach up to 70 °C (158 °F) during operation. Avoid contact with people and materials.



### Maintenance

- Warning! Disconnect the fixture from AC mains power and allow to cool for at least 10 minutes before handling.
- Only technicians who are authorized by PROLIGHTS or Authorised service partners are permitted to open the fixture.
- Users may carry out external cleaning, following the warnings and instructions provided, but any service operation not described in this manual must be referred to a qualified service technician.
- Important! Excessive dust, smoke fluid, and particle build up degrades performance, causes overheating and will damage the fixture. Damages caused by inadequate cleaning or maintenance is not covered by the product warranty.



### Photobiological safety

- This device emits potentially dangerous optical radiation and is identified in the category of Risk Group 1 according to EN 62471.



### Do not stare at the operating light source

- Do not look directly at the LED source during operation. It can be harmful to the eyes and skin.



### Disposal

- This product is supplied in compliance with European Directive 2012/19/EU – Waste Electrical and Electronic Equipment (WEEE). To preserve the environment please dispose/ recycle this product at the end of its life according to the local regulation.



**The products to which this manual refers comply with:**

- 2014/35/EU - Safety of electrical equipment supplied at low voltage (LVD).
- 2014/30/EU - Electromagnetic Compatibility (EMC).
- 2011/65/EU - Restriction of the use of certain hazardous substances (RoHS).



**The products to which this manual refers comply with:**

- UL 1573 + CSA C22.2 No. 166 - Stage and Studio Luminaires and Connector Strips.
- UL 8750 + CSA C22.2 No. 250.13-22 - Light Emitting Diode (LED) Equipment for use in Lighting Product.



**FCC Compliance:**

- This device complies with Part 15 of the FCC Rules. Operation is subject to the following two conditions:
  1. This device may not cause harmful interference, and
  2. This device must accept any interference received, including interference that may cause undesired operation.



**Other approvals**

- The product meets the safety requirements of the certification procedures of the market in which it is placed and sold.

# 1 - PACKAGING

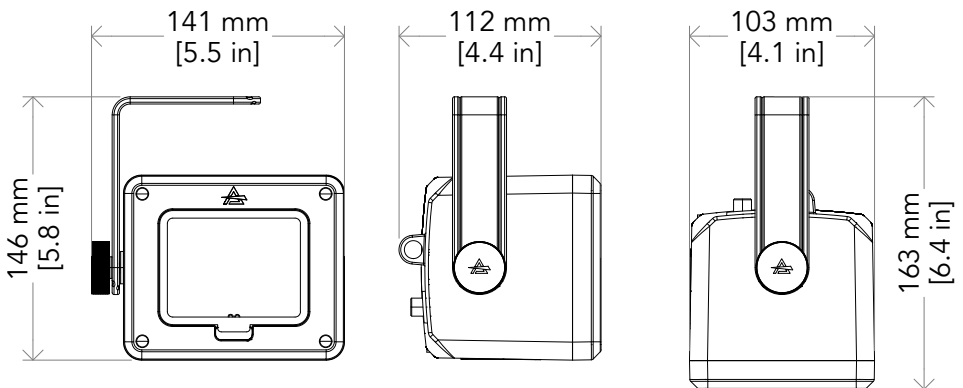
## PACKAGE CONTENT

- 1x GALLERYWASHDATVW.
- 1x GWASHDATFILT30 Light diffusion filter for GALLERYWASHDAT series, symmetric 30°.
- 1 meter cable with 3G0,75mmq power cable + 2x0,169 mmq DMX 120 Ohm (BARE END - already connected).
- User Manual.

## OPTIONAL ACCESSORIES

Check the updated accessories list, description and informations of the product at the following link:  
<https://www.prolights.it/product/GALLERYWASHDATVW#accessories>

# 2 - TECHNICAL DRAWING



Weight: 1 kg - 2,2 lbs

Fig. 01

# 3 - INSTALLATION

## MOUNTING

Check that the supporting structure can safely bear the weight of all installed fixtures, clamps, cables, auxiliary equipment, etc. and complies with locally applicable regulations.

When suspending the fixture above ground level, secure it against failure of primary attachments by attaching a safety wire that is approved as a safety attachment for the weight of the fixture to an anchor point on the product main frame.

Do not use removable parts or weak anchors for secondary attachment.

Warning! When clamping the fixture to a truss or other structure at any angle, use clamps of half-coupler type. Do not use any type of clamp that does not completely encircle the structure when fastened.

**NOTE:** The arrow of the fixture points to the light direction (see pag.09).

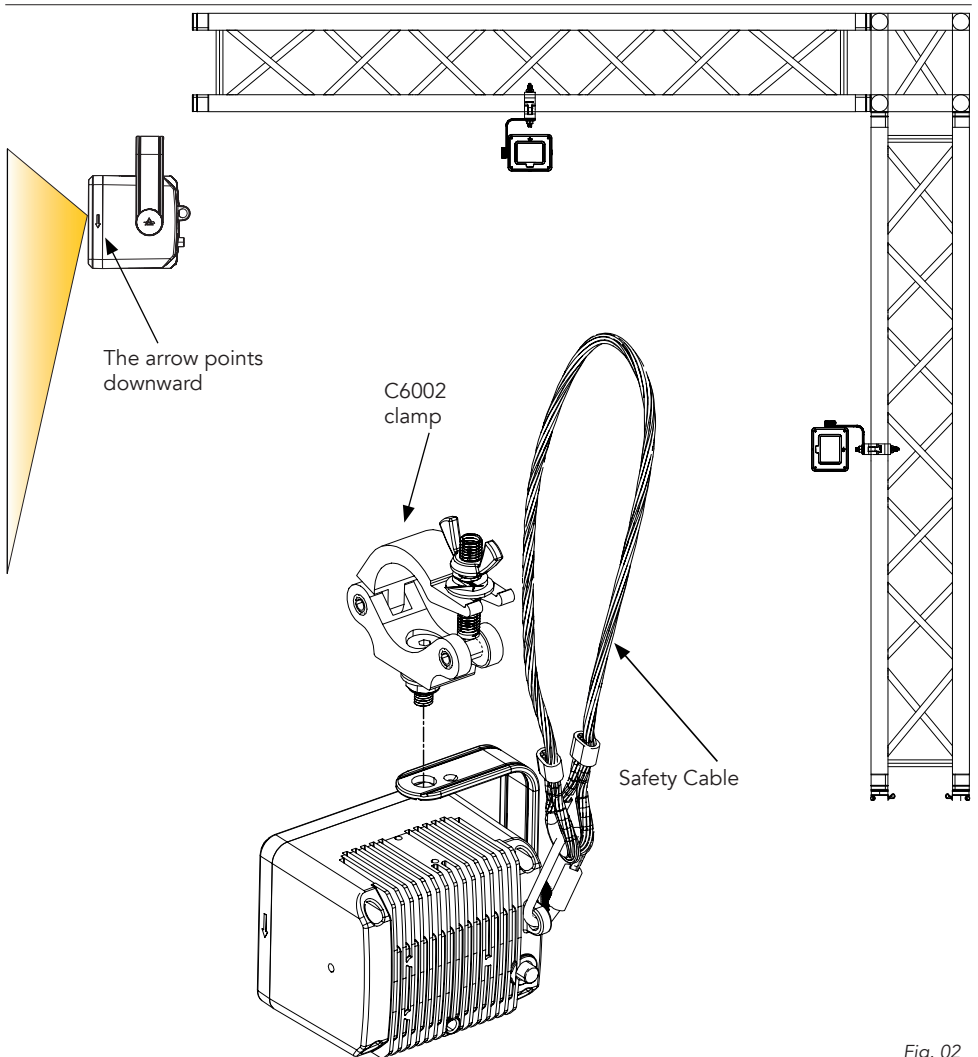


Fig. 02

## 4 - CONNECTION TO THE MAINS SUPPLY

**WARNING:** For protection from electric shock, the fixture must be earthed!

The product is equipped with auto-switching power supply that automatically adjusts to any 50-60Hz AC power source from 100-240 Volts.

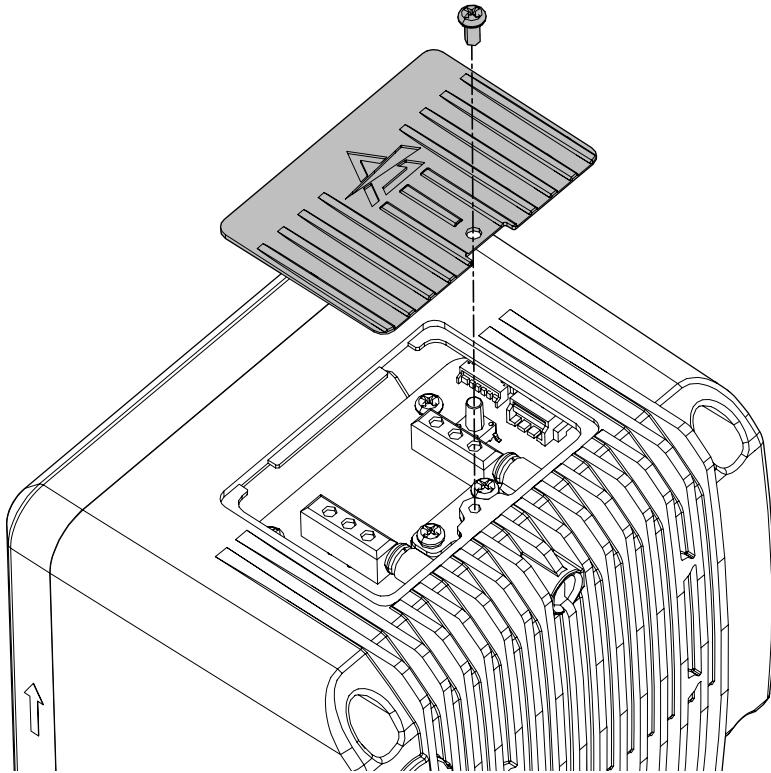
If you need to install a power plug on the power cable to allow connection to power outlets, install a grounding-type (earthed) plug, following the plug manufacturer's instructions. If you have any doubts about proper installation, consult a qualified electrician.

The max power consumption is 53W.

### TRACK INSTALLATION

*In case of track installation it is recommended a maximum track length of 20 meters and up to 15 units.*

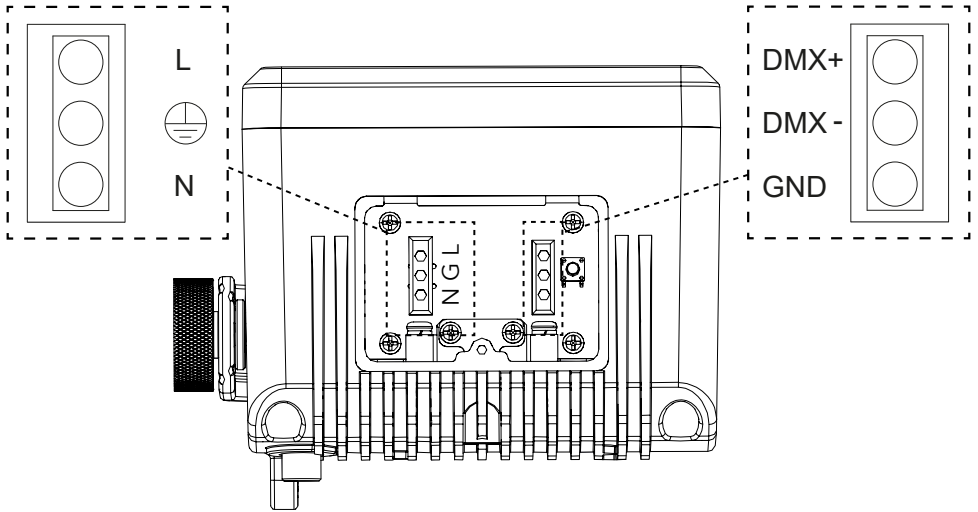
1



Loosen the crosshead screw to remove the terminal block cover.

Fig. 03

2



Follow the figure to connect the screw terminal blocks.

Fig. 04

## 5 - START UP

### CONNECT AND DISCONNECT POWER FROM THE PRODUCT

To apply and disconnect power to the product:

- Check that the product is installed and secured as indicated in the Safety Informations, and that personal safety will not be put at risk when the fixture lights up.
- Connect the power connector into the Mains input socket (100-240 VAC-50/60 Hz).
- The product is then ready for its operations and can be controlled through the available input signals on board.
- To disconnect power from the product, disconnect the Mains from the socket.

## 6 - PRODUCT OVERVIEW

1. SAFETY EYE to attach safety cable;
2. PUSHABLE ENCODER for standalone operations;
3. COVER for terminal Power/DMX terminal blocks;
4. TILTABLE BRACKET for installations (Included);
5. ARROW to indicate the light output direction;
6. FILTER HOLDER;
7. POWER terminal block;
8. DMX terminal block;
9. BUTTON for wireless operations.

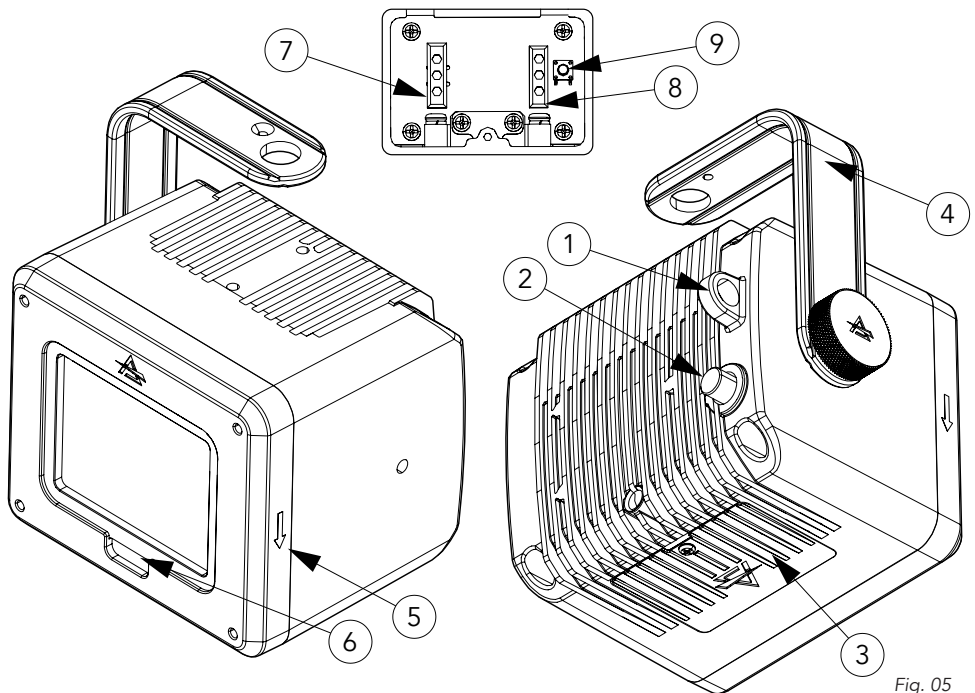


Fig. 05

## 7 - CONNECTION TO A WIRELESS DMX TRANSMITTER

If the optional wireless kit GWASHDATWK has been installed in the product, the table below shows the behaviour of the button for wireless operations (N°9 in the previous page).

### BUTTON FOR WIRELESS OPERATIONS FUNCTION

<b>WIRELESS ON RX RESET ON</b>	Long press the button for 10 seconds, it works if the wireless module is installed. The light source flashes 5 times to confirm the settings.
------------------------------------	---

### WIRELESS LED STATUS

<b>WIRELESS = OFF</b>	Blue Led keep OFF
<b>WIRELESS = ON</b>	<ol style="list-style-type: none"><li>1) Blue led keeps fast flicking (on-off-on-off) for 100ms, Wireless reset performed.</li><li>2) Blue led keeps slow flickering (on-off-on-off) for 3s, wait for wireless connection.</li><li>3) Blue led keeps slow flicking (on-off-on-off) for 1s, it has connection, but without wireless DMX Signal IN.</li><li>4) Blue Led on, connection established and DMX signal transmission.</li></ol>

**NOTE:** *The wireless on DMX is always active*

## 8 - RDM FUNCTIONS

The product can communicate using RDM (Remote Device Management) protocol over a DMX512 Networks.

RDM is a bi-directional communications protocol for use in DMX512 control systems, it is the open standard for DMX512 device configuration and status monitoring.

The RDM protocol allows data packets to be inserted into a DMX512 data stream without affecting existing non-RDM equipment. It allows a console or dedicated RDM controller to send commands to and receive messages from specific fixtures.

The PIDs in the following tables are supported in the product.

Category	Parameter	Value	GET	SET
<b>Product Information</b>	SUPPORTED_PARAMETERS	0x0050	x	
	PARAMETER_DESCRIPTION	0x0051	x	
	PRODUCT_DETAIL_ID_LIST	0x0070	x	
	DEVICE_MODEL_DESCRIPTION	0x0080	x	
	MANUFACTURER_LABEL	0x0081	x	
	DEVICE_LABEL	0x0082	x	x
	FACTORY_DEFAULTS	0x0090	x	x
<b>DMX512 Setup</b>	DMX_PERSONALITY	0x00E0	x	x
	DMX_PERSONALITY_DESCRIPTION	0x00E1	x	
	DMX_START_ADDRESS	0x00F0	x	x
	SLOT_INFO	0x0120	x	
	SLOT_DESCRIPTION	0x0121	x	
	DEFAULT_SLOT_VALUE	0x0122	x	
<b>Sensors</b>	SENSOR_DEFINITION	0x0200	x	
	SENSOR_VALUE	0x0201	x	x
	RECORD_SENSORS	0x0202	x	x
<b>Dimmer Settings</b>	DIMMER_INFO	0x0340	x	
	CURVE	0x0343	x	x
	CURVE_DESCRIPTION	0x0344	x	x
	OUTPUT_RESPONSE_TIME	0x0345	x	x
	OUTPUT_RESPONSE_TIME_DESCRIPTION	0x0346	x	
	MODULATION_FREQUENCY	0x0347	x	x
	MODULATION_FREQUENCY_DESCRIPTION	0x0348	x	
<b>Power/Lamp Settings</b>	DEVICE_HOURS	0x0400	x	x
	LAMP_HOURS	0x0401	x	x
	LAMP_STRIKES	0x0402	x	x
	LAMP_STATE	0x0403	x	x
	LAMP_MODE	0x0404	x	x
	DEVICE_POWER_CYCLES	0x0405	x	x
<b>Control</b>	IDENTIFY_MODE	0x1040	x	x

### Manufacturer Specific PIDs

Parameter	PID	GET	SET	Value	Description
UNO MODE CCT	0x830A	x	x	0-255	<b>DEFAULT: 0</b>
STATIC DIMMER	0x8207	x	x	0-255	<b>DEFAULT: 255</b>
STATIC STROBE	0x8208	x	x	0-255	<b>DEFAULT: 0</b>
DMX FAULT	0x82DD	x	x	0-2	0: Blackout 1: Hold <b>2: Stand Alone</b>
MASTER/SLAVE	0x8211	x	x	0-2	0: Master DMX <b>1: Master NO DMX</b> 2: Slave
STAND ALONE MODE	0x82EC	x	x	0-1	<b>0: CCT</b> 1: Manual color
STATIC CCT	0x82BF	x	x	0-255	<b>DEFAULT: 0</b>
MANUAL WARM WHITE	0x82C0	x	x	0-255	<b>DEFAULT: 255</b>
MANUAL COLD WHITE	0x82C1	x	x	0-255	<b>DEFAULT: 255</b>
WHITE CALIBRATION-WW	0x8200	x	x	125-255	<b>DEFAULT: 255</b>
WHITE CALIBRATION CW	0x8201	x	x	125-255	<b>DEFAULT: 255</b>
CALIBRATION 2700K WW	0x8350	x	x	125-255	
CALIBRATION 2700K CW	0x8351	x	x	125-255	
CALIBRATION 2800K WW	0x8352	x	x	125-255	
CALIBRATION 2800K CW	0x8353	x	x	125-255	
CALIBRATION 3000K WW	0x8354	x	x	125-255	
CALIBRATION 3000K CW	0x8355	x	x	125-255	
CALIBRATION 3200K WW	0x8356	x	x	125-255	
CALIBRATION 3200K CW	0x8357	x	x	125-255	
CALIBRATION 4000K WW	0x8358	x	x	125-255	
CALIBRATION 4000K CW	0x8359	x	x	125-255	
CALIBRATION 5600K WW	0x835A	x	x	125-255	
CALIBRATION 5600K CW	0x835B	x	x	125-255	
CLEAN ALL DATA	0x82C8	x	x	0-1	<b>0: No</b> 1: Yes
CURRENT HOURS	0x82C5	x		0-65535	
MAINTENANCE TIME:ALERT PERIOD	0x82DF	x	x	10-300	<b>DEFAULT: 300</b>
MAINTENANCE TIME:ELAPSED TIME	0x82E0	x	x	0-1	<b>DEFAULT: 0</b>
POWER CONSUMPTION(AC 220V)	0x82DE	x		0-1	
TIMO VERSION	0x8369	x		0000	
WIRELESS	0x8212	x	x	0-1	<b>0: Off</b> 1: On
WIRELESS RESET	0x8215	x	x	0-1	<b>0: Off</b> 1: On

NOTE: the terms shown in **BOLD** indicates the default settings.

N°	MENU	LEVEL 1	LEVEL 2	DESCRIPTION
1	CONNECT	DMX ADDRESS	1-512	
2	WIRELESS	<b>OFF</b>		Enable/Disable the wireless card. (OPTIONAL)
		ON		
3	DMX MODE	UNO		Set DMX chart for Main Fixture.
		BASIC		
		<b>STANDARD</b>		
		EXTENDED		
4	DIMMER CURVE	LINEAR		Select different curve behaviour of dimmer. See pag.15 for further details.
		S-CURVE		
		<b>SQUARE LAW</b>		
		INVERSE SQUARE LAW		
5	DIMMER SPEED	<b>AUTO</b>		Select different speed behaviour of dimmer. See pag.16 for further details.
		FAST		
		MEDIUM		
		SLOW		
6	LED FREQUENCY	600Hz	4000Hz	Select PWM frequency.
		<b>1200Hz</b>	6000Hz	
		2000Hz	25kHz	
7	DMX FAULT	BLACKOUT		To choose the behaviour of fixture in case of dmx signal lost.
		HOLD		
		<b>STAND ALONE</b>		
8	SPECIFIC PIDS			See pag.11 for Specific PIDs list.
9	INFORMATION	DEVICE TIME	FIXTURE HOURS	To check the total working hours of the unit.
			CURRENT HOURS	To check the current working hours of the unit.
			SOURCE HOURS	To see the total operating hours of the LED source.
			POWER ON CYCLE	To see the power cycles of the machine.
			MAINTENANCE TIME	
		POWER CONS.	W...	
		TEMPERATURE	NEAR SOURCE TEMP, DRIVER PCB TEMP, LED PCB TEMP,...	
		SOFTWARE VERSION		View informations about software version.
		DEVICE INFO		
		DEVICE LABEL		
		RDM UID		View ID for the RDM control.

N°	MENU	LEVEL 1	LEVEL 2	DESCRIPTION
10	STAND ALONE	MASTER/SLAVE	MASTER DMX	See pag.13 for further details
			<b>MASTER NO DMX</b>	
			SLAVE	
		DIMMER	0-255	
		STROBE	0-20	
		CCT	0-255	
		MANUAL COLOR	WARM WHITE	Default value: 255
COLD WHITE				
11	FACTORY DEFAULT	-		

### MASTER/SLAVE

The MASTER/SLAVE function enables the fixture to operate in standalone mode, where it must be set to MASTER. When configured correctly, this allows one fixture to control multiple fixtures in a daisy chain setup, ensuring synchronized operation. Below are the available modes:

- **MASTER DMX** - The fixture operates as the master, with standalone mode active, and transmits the same standalone functionality via DMX to other fixtures in the daisy chain.
- **MASTER NO DMX** - The device works as master but does not transmit the DMX signal to the other devices connected in the daisy chain.
- **SLAVE** - The fixture remains in standby, waiting to receive a signal from another device set to MASTER DMX. If a standalone mode is selected on the fixture, it will automatically switch to MASTER NO DMX.saved presets or factory settings.

*When set to MASTER DMX or MASTER NO DMX, if an external DMX IN signal is detected, it will take priority and automatically disable the standalone mode.*

### ENCODER BEHAVIOUR WHEN DMX FAULT@STAND ALONE

STAND ALONE MODE*	ONE TIME PRESS	MOVE ENCODER	DOUBLE PRESS	3s PRESS
CCT (Default)	Switch between: DIMMER CCT	Change the Dimmer value / set value of CCT	HIGHLIGHT / LEAVE HIGHLIGHT	Encoder Lock / Encoder Unlock
MANUAL COLOR	Switch between: DIMMER WARM WHITE COLD WHITE	Change the Dimmer value / set linearly value of Warm White-Cold White	HIGHLIGHT / LEAVE HIGHLIGHT	Encoder Lock / Encoder Unlock

**\*NOTE:** The Stand Alone modes can be set by **PID 0x82EC** (see RDM section pag.12)

In any moment you can perform a WIRELESS@ON + RX RESET pressing the encoder for 10s, to confirm this the source will flash 5 times

## DIMMER CURVES

Five dimming modes are available:

1. **LINEAR** - Light intensity increases proportionally to the DMX value, creating a linear perception.
2. **S-CURVE** - Light intensity is finer at low and high levels, with coarser control at mid-levels.
3. **SQUARE LAW** - Light intensity is finer at low levels and becomes coarser at higher levels.
4. **INVERSE SQUARE LAW** - Light intensity is coarser at low levels and finer at higher levels.

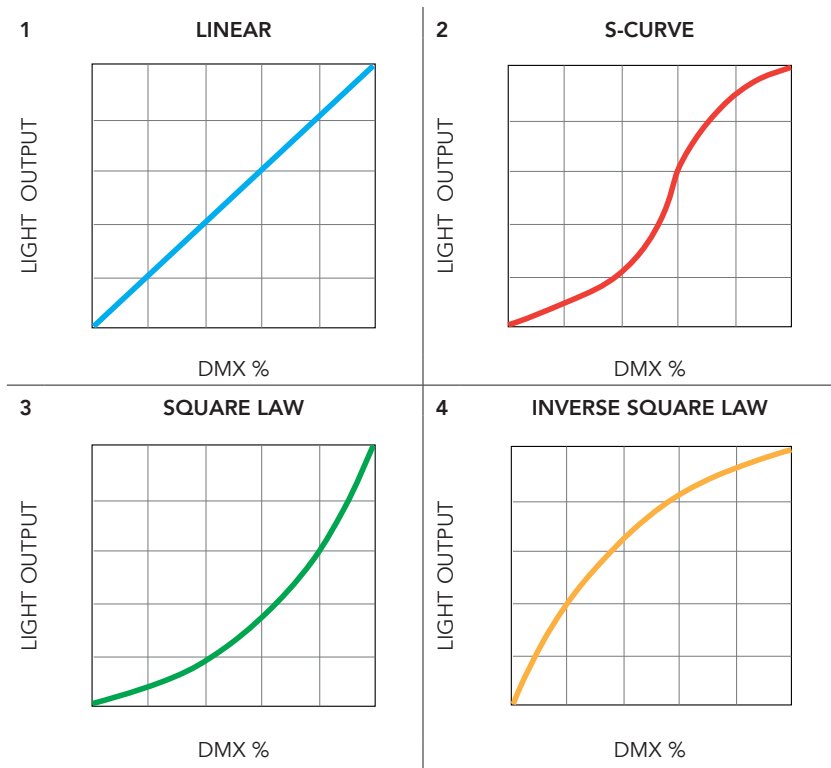


Fig. 06

## DIMMER SPEEDS

Five dimming speeds are available:

1. **AUTO** - When the DMX value changes by more than 50 DMX values, the intensity will instantly adjust to the new value. For changes less than 50 DMX values, the fast dimming curve will be applied.
2. **FAST** - Indicates the fast speed dimming curve. Refer to the diagram for reference.
3. **MEDIUM** - Indicates the medium speed dimming curve. Refer to the diagram for reference.
4. **SLOW** - Indicates the slow dimming curve. Refer to the diagram for reference.

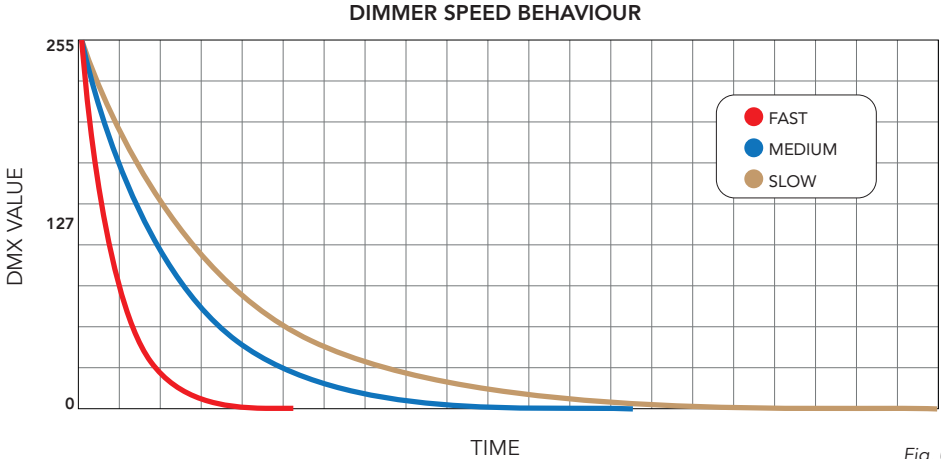


Fig. 07

## 9 - ERROR MESSAGES

ERROR SHOWED ON SCREEN	POSSIBLE CAUSES
[TEMPERATURE TOO HIGH]	This error message indicates that an overheating has occurred and the led has been switched OFF by the product protection system.
[LED TEMPERATURE SENSOR ERROR]	LED sensor damaged (open or in short circuit)

# 10 - DMX CHARTS

RDM Model ID: 0xD165

RDM Personality ID List

ID	DMX Mode	Footprint
1	UNO	1CH
2	BASIC	3CH
3	STANDARD	5CH
4	EXTENDED	10CH

PARAMETER	MODE			
	BASIC	BASIC 16BIT	STANDARD	EXTENDED
DIMMER	1	1	1	1
DIMMER FINE	-	-	2	2
STROBE	-	-	3	3
CCT	-	2	4	4
XFADE CCT to WWCW	-	-	-	5
WW	-	-	-	6
WW Fine	-	-	-	7
CW	-	-	-	8
CW Fine	-	-	-	9
CONTROL	-	3	5	10

## DMX CHANNEL DETAILS

UNO	BASIC	STNDRD	EXTND	Function	DMX value		Default
					from	to	
1	1	1	1	<b>DIMMER</b> Lineary from close to open	000	255	000
-	-	2	2	<b>DIMMER FINE</b> Lineary from close to open	000	255	000
-	-	3	3	<b>STROBE</b>			0
				Open	0	1	
				Strobe from slow to fast	2	62	
				Open	63	64	
				Pulse in from slow to fast	65	125	
				Close	126	127	
				Pulse out from slow to fast	128	188	
				Open	189	190	
Random from slow to fast	191	251					
Open	252	255					
-	2	4	4	<b>CCT 2700K - 5600K</b> Check "CCT" on page 18	000	255	000
-	-	-	5	<b>XFADE FROM CCT TO COLOR</b> Lineary from 0% to 100%	000	255	255
-	-	-	6	<b>WW</b> Lineary from 0% to 100%	000	255	255
-	-	-	7	<b>WW FINE</b> Lineary from 0% to 100%	000	255	255
-	-	-	8	<b>CW</b> Lineary from 0% to 100%	000	255	255
-	-	-	9	<b>CW FINE</b> Lineary from 0% to 100%	000	255	255
-	3	5	10	<b>CONTROL</b> Check "Control Channel" on page 19	///	///	000

**CCT (2700K - 5600K)**

Function		8 bit value		16 bit value		Note
CCT(K) From	CCT(K) To	From	To	From	To	
2700	2800	0	9	0	2260	Default @ 0
2800	2900	9	18	2260	4520	
2900	3000	18	26	4520	6779	
3000	3100	26	35	6779	9039	
3100	3200	35	44	9039	11299	
3200	3300	44	53	11299	13559	
3300	3400	53	62	13559	15819	
3400	3500	62	70	15819	18079	
3500	3600	70	79	18079	20338	
3600	3700	79	88	20338	22598	
3700	3800	88	97	22598	24858	
3800	3900	97	106	24858	27118	
3900	4000	106	114	27118	29378	
4000	4100	114	123	29378	31638	
4100	4200	123	132	31638	33897	
4200	4300	132	141	33897	36157	
4300	4400	141	149	36157	38417	
4400	4500	149	158	38417	40677	
4500	4600	158	167	40677	42937	
4600	4700	167	176	42937	45197	
4700	4800	176	185	45197	47456	
4800	4900	185	193	47456	49716	
4900	5000	193	202	49716	51976	
5000	5100	202	211	51976	54236	
5100	5200	211	220	54236	56496	
5200	5300	220	229	56496	58756	
5300	5400	229	237	58756	61015	
5400	5500	237	246	61015	63275	
5500	5600	246	255	63275	65535	

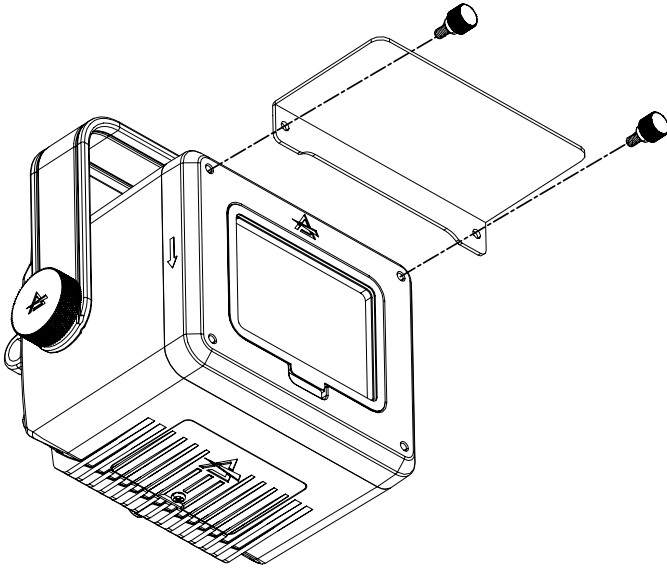
## CONTROL CHANNEL

Function Hold 3s to take function		8 bit value		Note
		From	To	
No Function / Safe		0	1	Default @ 0
DIMMER CURVE	DIMMER CURVE LINEAR	2	3	
	DIMMER CURVE S-CURVE	4	5	
	DIMMER CURVE SQUARE LAW	6	7	
	DIMMER CURVE INVERSE SQUARE LAW	8	9	
DIMMER SPEED	DIMMER SPEED AUTO	10	11	
	DIMMER SPEED FAST	12	13	
	DIMMER SPEED MEDIUM	14	15	
	DIMMER SPEED SLOW	16	17	
LED FREQUENCY	LED FREQUENCY 600HZ	18	19	
	LED FREQUENCY 1200HZ	20	21	
	LED FREQUENCY 2000HZ	22	23	
	LED FREQUENCY 4000HZ	24	25	
	LED FREQUENCY 6000HZ	26	27	
DMX FAULT	LED FREQUENCY 25KHZ	28	29	
	DMX FAULT HOLD	30	31	
	DMX FAULT BLACKOUT	32	33	
STAND ALONE	DMX FAULT STAND ALONE	34	35	
	STAND ALONE MASTER DMX	36	37	
	STAND ALONE MASTER NO DMX	38	39	
	STAND ALONE SLAVE	40	41	
	STANDALONE CCT	42	43	
	STANDALONE MANUAL COLOR	44	45	
Reserved		46	251	
FACTORY DEFAULT OF CONTROL FUNCTIONS		252	253	
Reserved		254	255	

# 11 - ACCESSORIES INSTALLATION

SNOOT (CODE GWASHDATHSNOOT B/W - OPTIONAL)

1



2

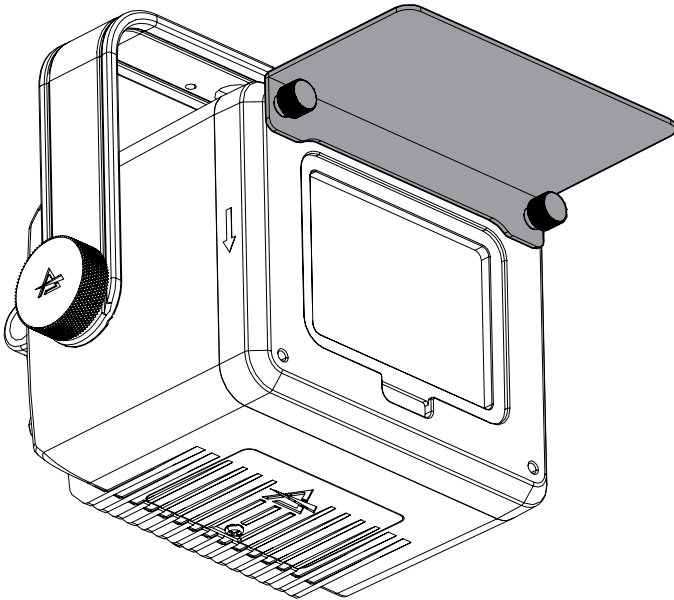
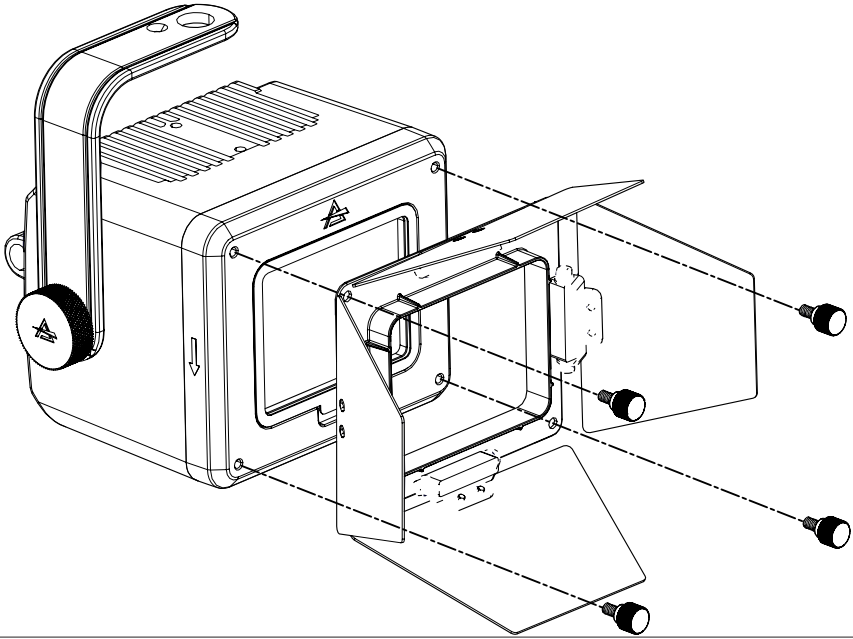


Fig. 08

BARN DOOR (CODE GWASHDATBD B/W - OPTIONAL)

1



2

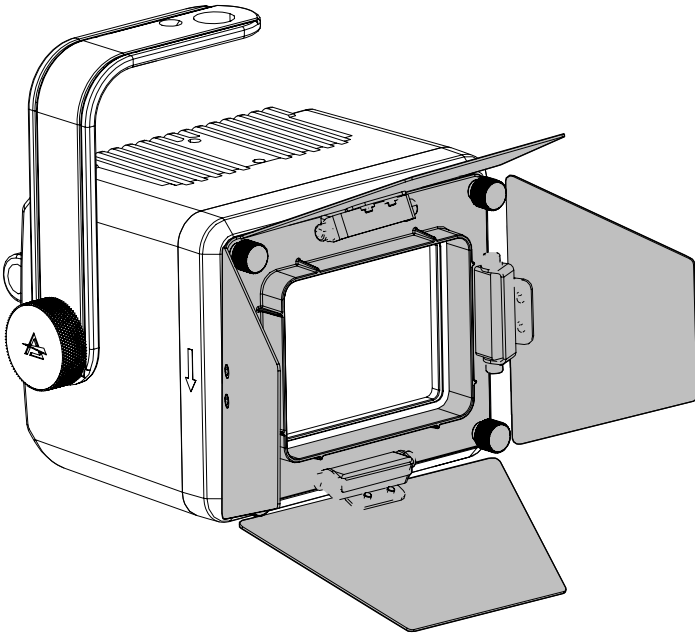
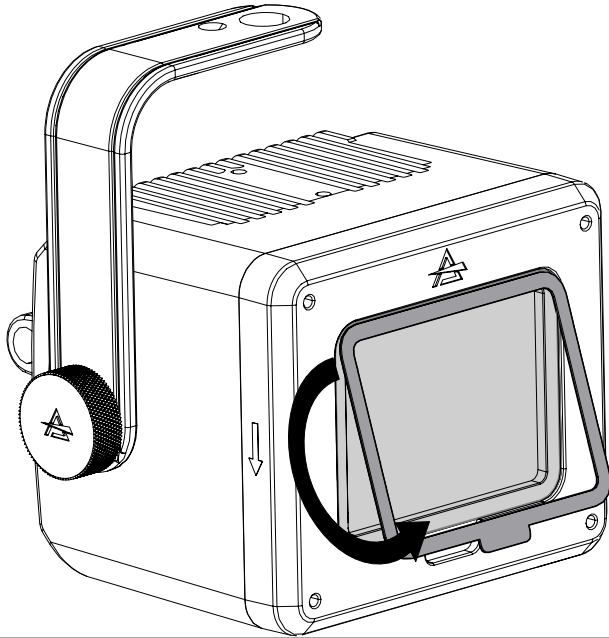


Fig. 09

1



2

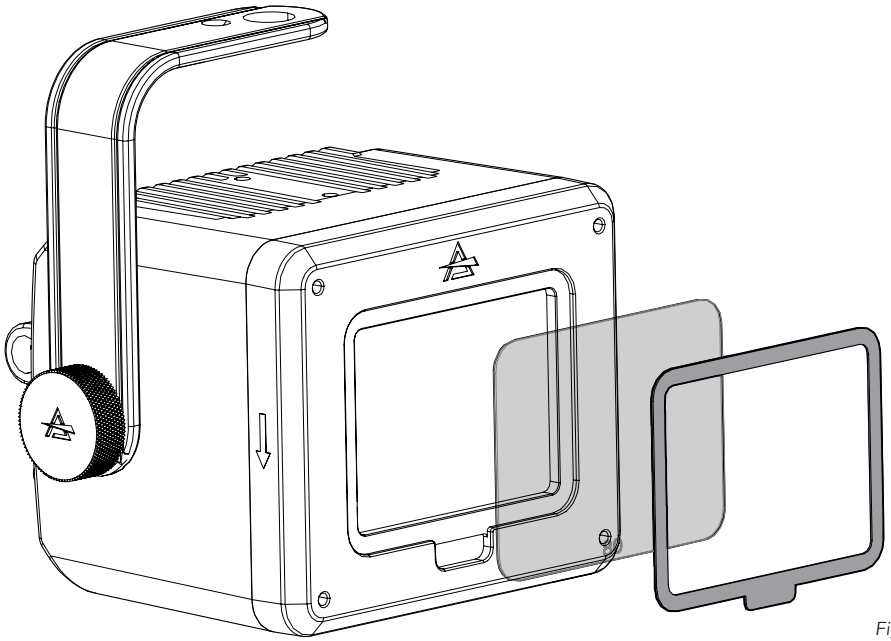
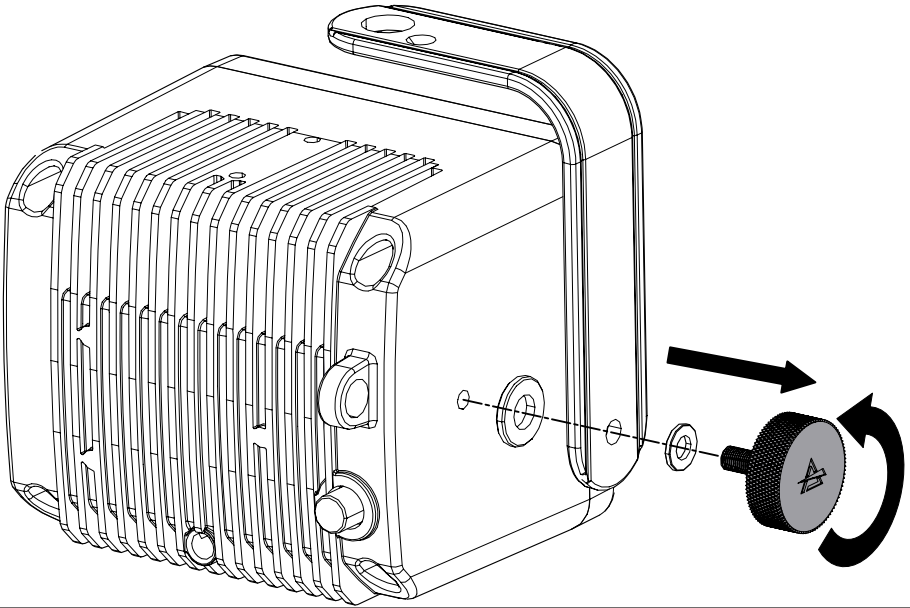


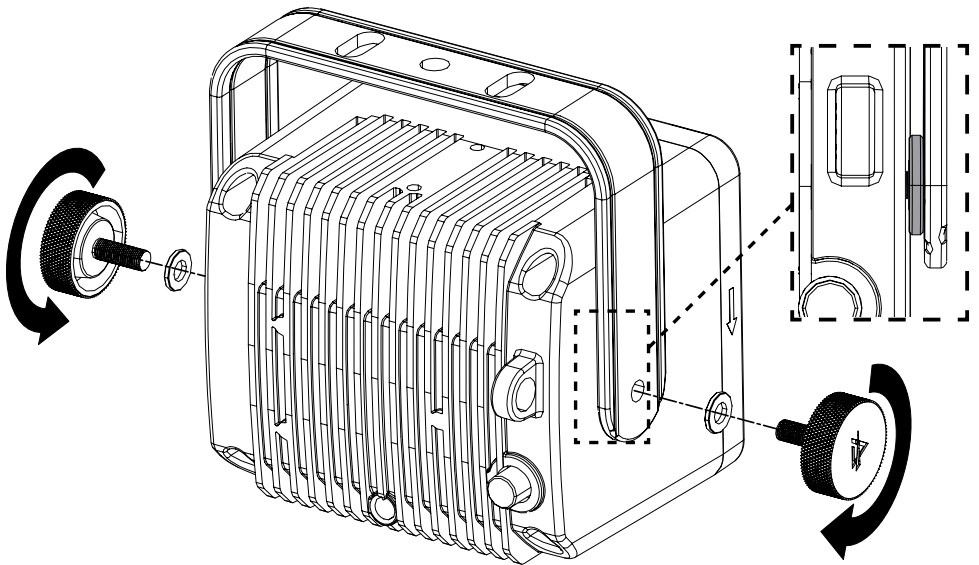
Fig. 10

WALL MOUNTING BRACKET (CODE GWASHDATWMBRK B/W - OPTIONAL)

1



2



Once removed the standard bracket, pay attention to insert the spacer between the GWASHDATWMBRK and the fixture (2).

Fig. 11

## CEILING KIT ADAPTER (CODE GWASHDATCEILKIT B/W - OPTIONAL)

NOTE: Ensure the ceiling surface is more than 15 mm thick.

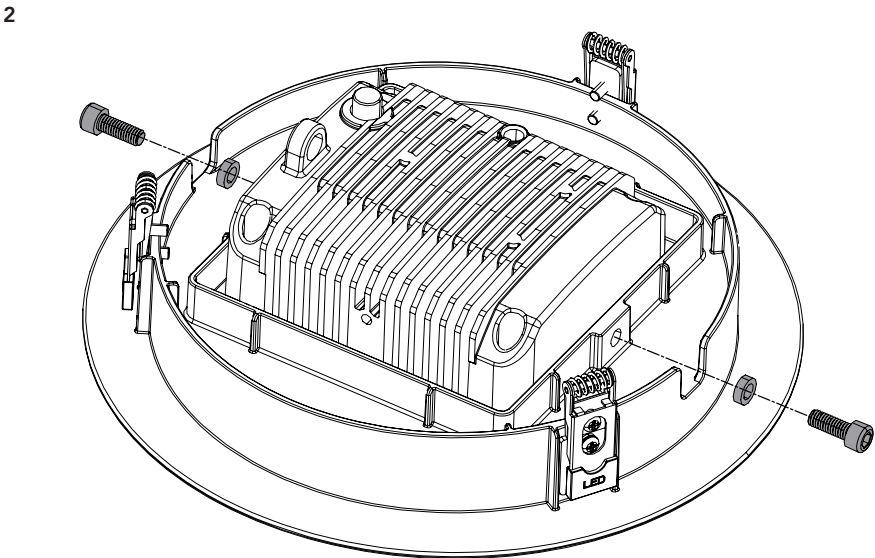
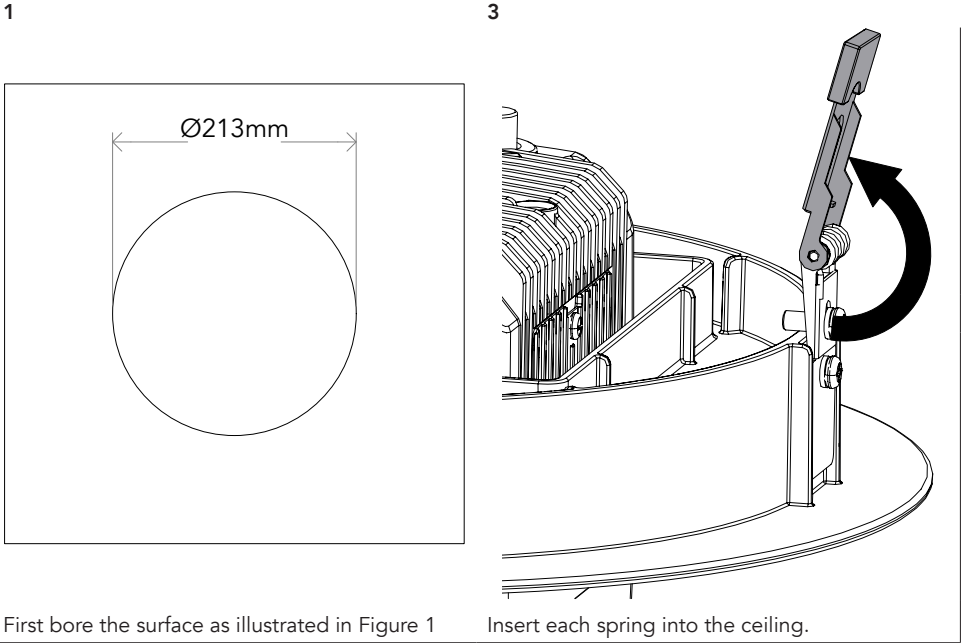


Fig. 12

# 12 - MAINTENANCE

## MAINTENANCE AND CLEANING THE PRODUCT

**WARNING:** Disconnect from the mains before starting any maintenance work

It is recommended to clean the front at regular intervals, from impurities caused by dust, smoke, or other particles to ensure that the light is radiated at maximum brightness.

- For cleaning, disconnect the main plug from the socket. Use a soft, clean cloth moistened with a mild detergent. Then carefully wipe the part dry. For cleaning other housing parts use only a soft, clean cloth. Never use a liquid, it might penetrate the unit and cause damage to it.
- The user must clean the product periodically to maintain optimum performance and cooling. The user may also upload firmware (product software) to the fixture via the DMX signal input port or USB port using firmware and instructions from PROLIGHTS.
- The frequency of such maintenance operations is to be performed according to various factors, such as the amount of the use and the condition of the installation environment (air humidity, presence of dust, salinity, etc.). It is recommended that the product is subject to annual service by a qualified technician for special maintenance involving at least the following procedures:
  - General cleaning of internal parts.
  - For all the parts subject to friction, using lubricants specifically supplied by PROLIGHTS.
  - General visual check of the internal components, cabling, mechanical parts, etc.
  - Electrical, photometric and functional checks; eventual repairs.
  - Cleaning the lenses. Only use neutral soap and water to clean the lenses, then dry it carefully with a soft, non-abrasive cloth.

**WARNING:** the use of alcohol or any other detergent could damage the lenses.

- All other service operations on the product must be carried out by PROLIGHTS, its approved service agents or trained and qualified personnel.
- It is PROLIGHTS policy to apply the strictest possible calibration procedures and use the best quality materials available to ensure optimum performance and the longest possible component lifetimes. However, optical components are subject to wear and tear over the life of the product, resulting in gradual changes in colours over many thousands of hours of use. The extent of wear and tear depends heavily on operating conditions and environment, so it is impossible to specify precisely whether and to what extent performance will be affected. However, you may eventually need to replace optical components if their characteristics are affected by wear and tear after an extended period of use and if you require fixtures to perform within very precise optical and colour parameters.
- Do not apply filters, lenses or other materials on lenses or other optical components. Use only accessories approved by PROLIGHTS.

## VISUAL CHECK OF PRODUCT HOUSING

- The parts of the product cover/housing should be checked for eventual damages and breaking start at least every two months. In addition, especially the parts of the front lens holder have to be checked mechanically (by means of movement by the part) if it is firmly fastened to the fixture. If hint of a crack is found on some plastic part, do not use the product until the damaged part will be replaced.
- Cracks or another damages of the cover/housing parts can be caused by the product transportation or manipulation and also ageing process may influence materials.
- This checking is necessary for both fixed installations and preparing product for renting. Any free moving parts inside of the product, cracked cover/housing or any part of front lens not sitting properly in place need to be immediately replaced.

## TROUBLESHOOTING

Problems	Possible causes	Checks and remedies
Product doesn't power ON	<ul style="list-style-type: none"> <li>No power to the product</li> </ul>	<ul style="list-style-type: none"> <li>Check that power is switched ON and cables are plugged in.</li> </ul>
Product reset correctly but does not respond correctly to the controller.	<ul style="list-style-type: none"> <li>Bad signal connection</li> </ul>	<ul style="list-style-type: none"> <li>Inspect connections and cables. Fix eventual bad connections. Repair or replace damaged cables.</li> </ul>
	<ul style="list-style-type: none"> <li>Signal connection not terminated</li> </ul>	<ul style="list-style-type: none"> <li>Insert DMX termination plug in signal output socket of the last product on the signal line.</li> </ul>
	<ul style="list-style-type: none"> <li>Incorrect addressing of the product</li> </ul>	<ul style="list-style-type: none"> <li>Check the product address and control settings</li> </ul>
	<ul style="list-style-type: none"> <li>One of the product is defective and is corrupting the signal transmission on the signal line</li> </ul>	<ul style="list-style-type: none"> <li>Unplug the XLR in and out connectors and connect them directly together to bypass one product at a time until normal operation is regained. Once found the error, have that fixture serviced by a qualified technician.</li> </ul>
Timeout error after fixture reset.	<ul style="list-style-type: none"> <li>One or more hardware components requires mechanical adjustments</li> </ul>	<ul style="list-style-type: none"> <li>Check product stored error messages for more information. Contact PROLIGHTS Service or an authorized service partner.</li> </ul>
Mechanical effect loses position	<ul style="list-style-type: none"> <li>Mechanical hardware require cleaning, adjustment or lubrication</li> </ul>	<ul style="list-style-type: none"> <li>Check product stored error messages for more information. Contact PROLIGHTS Service or an authorized service partner.</li> </ul>
Light output turn OFF Intermittently	<ul style="list-style-type: none"> <li>Fixture is too hot</li> </ul>	<ul style="list-style-type: none"> <li>Check product stored error messages.</li> <li>Allow product to cool.</li> <li>Clean the product and airflow filters.</li> <li>Reduce ambient temperature.</li> </ul>
	<ul style="list-style-type: none"> <li>Hardware failure (temperature sensor, fans, Light source...)</li> </ul>	<ul style="list-style-type: none"> <li>Check product stored error messages for more information. Contact. PROLIGHTS Service or an authorized service partner.</li> </ul>
General low light intensity	<ul style="list-style-type: none"> <li>Dirty lens assembly</li> <li>Dirty or damaged filters</li> </ul>	<ul style="list-style-type: none"> <li>Clean the fixture regularly.</li> <li>Install lens assembly properly.</li> </ul>

Contact an authorized service center in case of technical problems or not reported in the table can not be resolved by the procedure given in the table.







**PROLIGHTS** is a trademark of  
**MUSIC & LIGHTS S.r.l.**  
**musiclights.it**

Via A.Olivetti snc  
04026 - Minturno (LT) ITALY  
Tel: +39 0771 72190

**prolights.it**  
support@prolights.it